

Part number:

HYDROMA

HYDRAULICKÉ SYSTÉMY

**HIDROMA
SYSTEMS**

UKŁADY HYDRAULICZNE

HYDROMA

ГИДРАВЛИЧЕСКИЕ СИСТЕМЫ

SU-SE HYDRAULIC REMOTE CONTROL ONE SERVICE PORT

The purpose of supply unit SU and SE is to fit hydraulic remote controls in an hydraulic system working at high pressure with reduced flow at low pressure.

The supply unit range is thus divided: **SU2, SU3, SE2, SE3**

SE3 can fit up to 3 dump valves (12 - 24 Vdc)



TECHNICAL SPECIFICATIONS

Max pressure: **350 bar**

Pressure on port line (U): **10-70 bar**

Maximum back pressure on tank line (T): **3 bar**

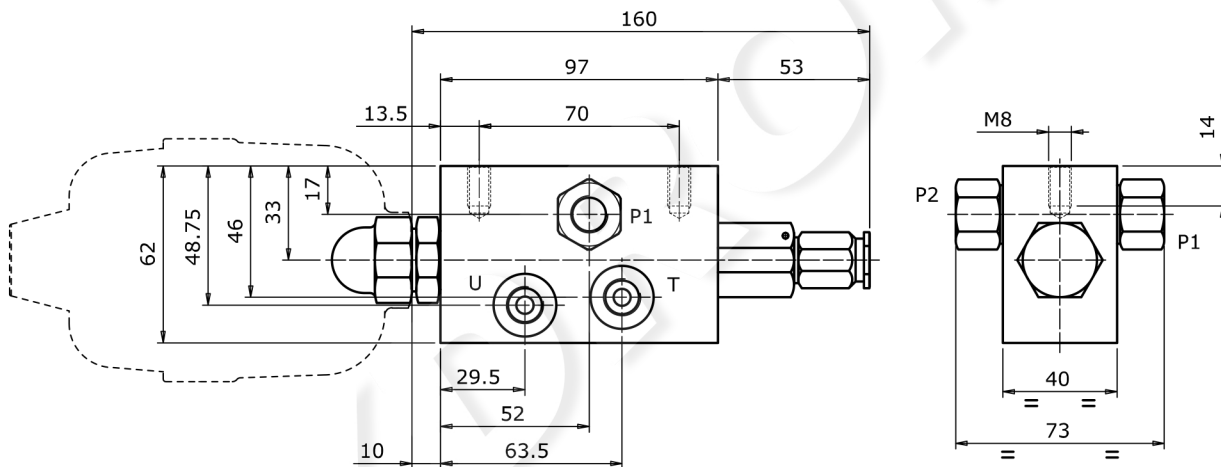
Minimum pressure (P1): **10 bar**

Oil capacity: **12 l/min**

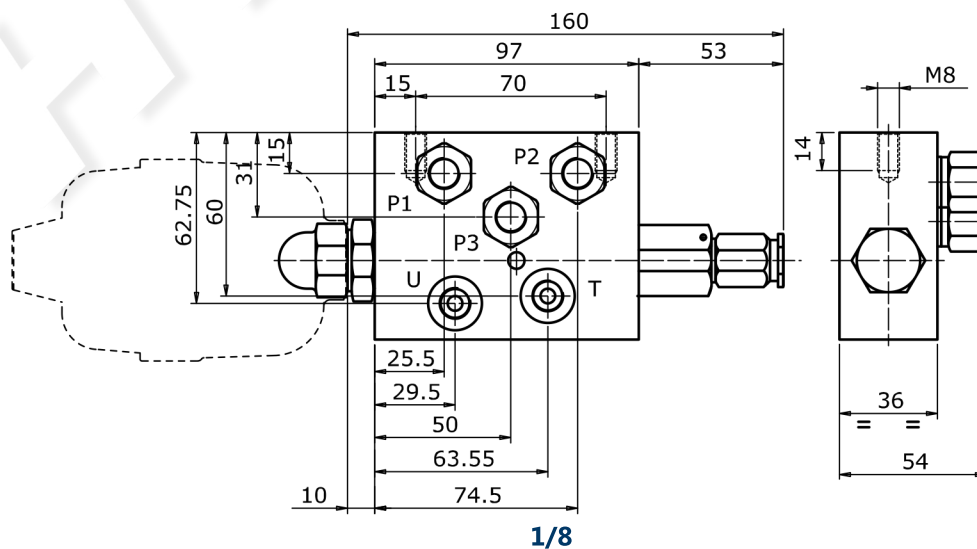
APPLICATIONS

Pilot remote of: directional control valves, variable displacement pumps and motors, auxiliary valves, frictions and hydraulic brakes

SU2 DIMENSIONS

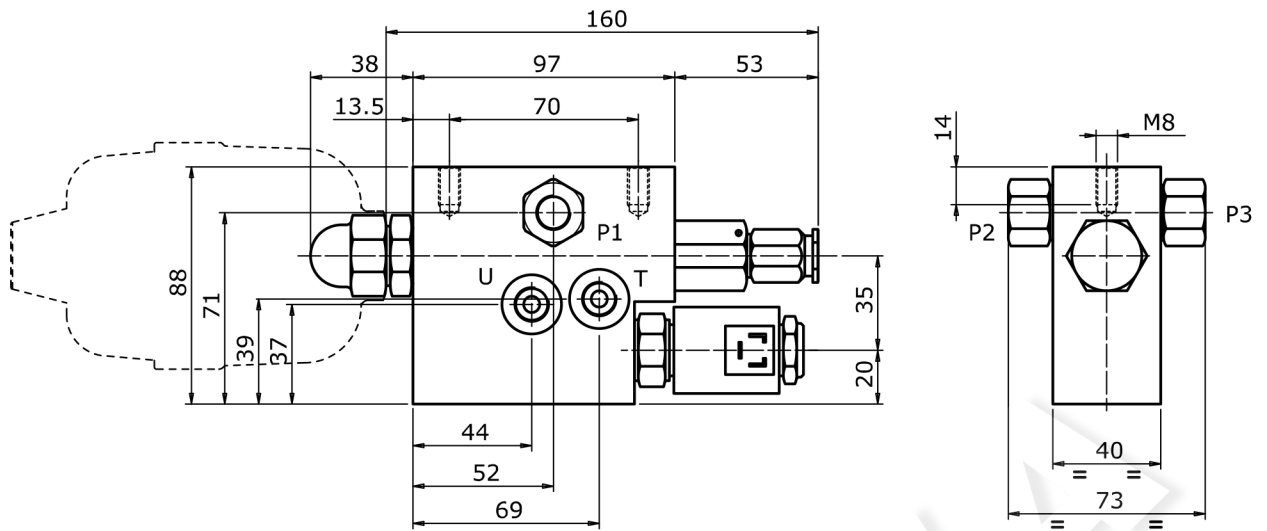


SU3 DIMENSIONS

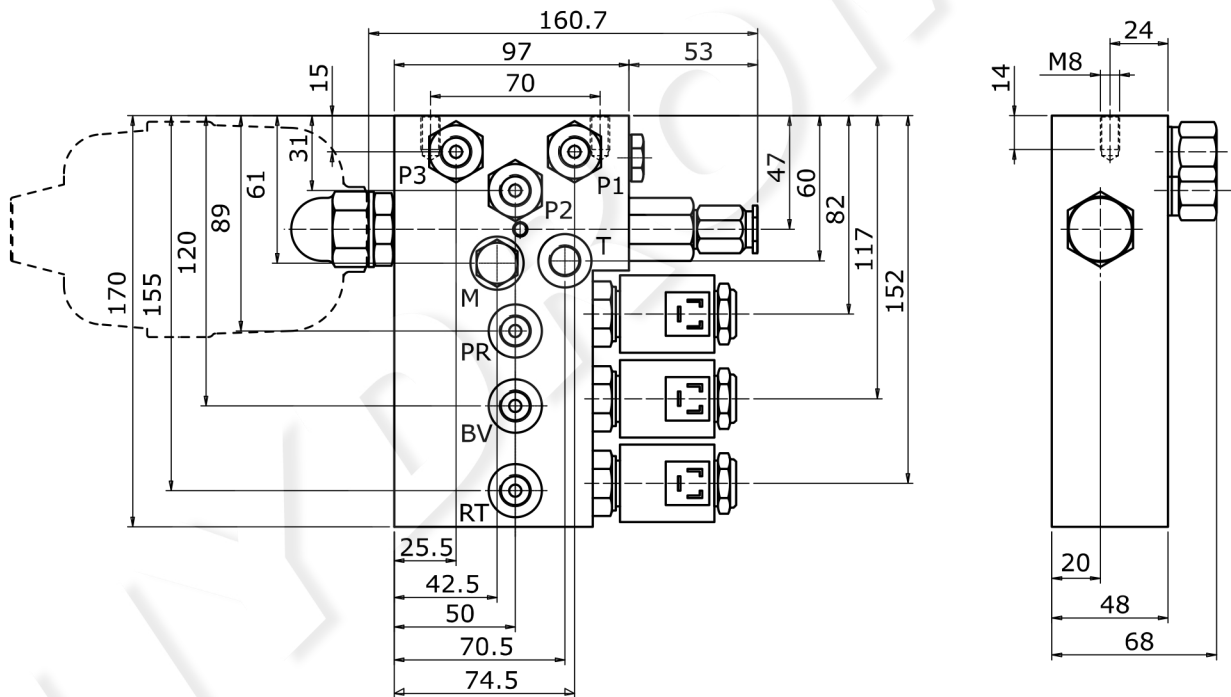


1/8

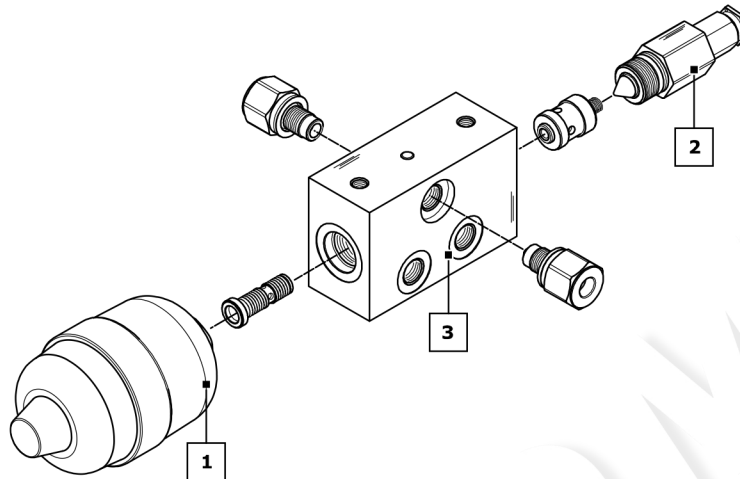
SE2 DIMENSIONS



SE3 DIMENSIONS

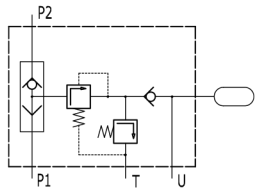
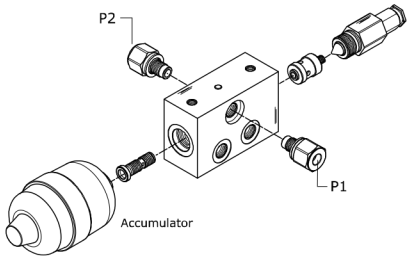
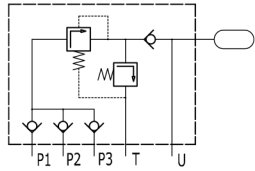
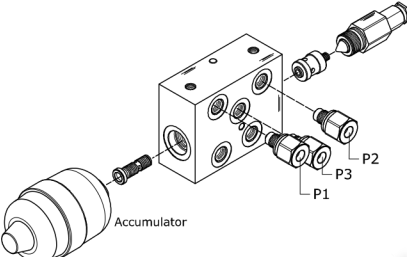
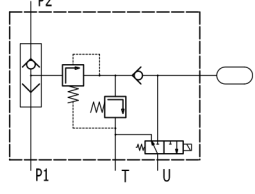
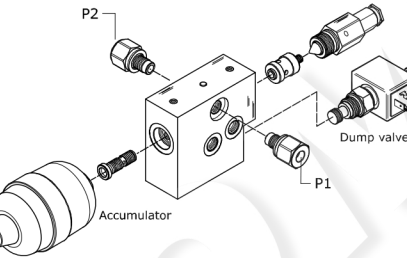
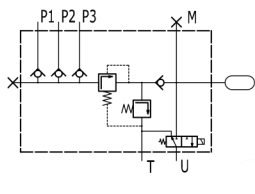
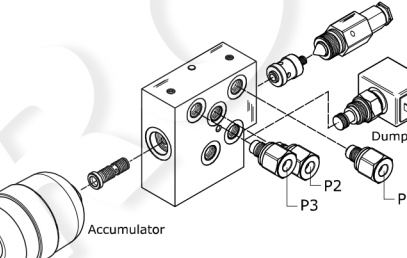
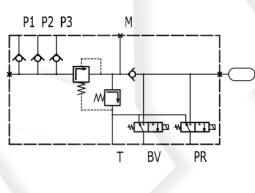
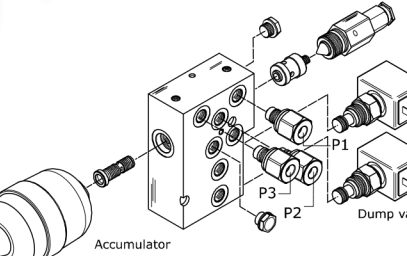
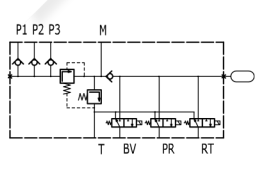
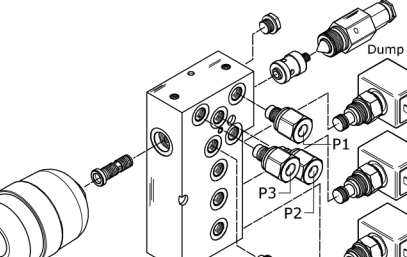


- SU product type _____
 2 number of lines _____
1 ACCUMULATOR CLASSIFICATION: _____
V04 accumulator model _____
2 REDUCING VALVE: _____
30 pressure setting (0-70 bar on service port U) _____
3 BODY ARRANGEMENT: _____
RA body specification _____
G02 body thread _____

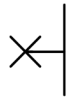
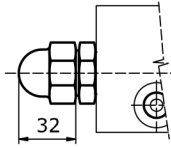

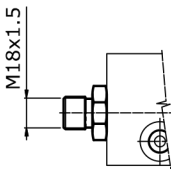

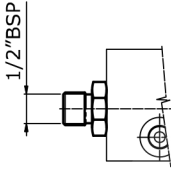

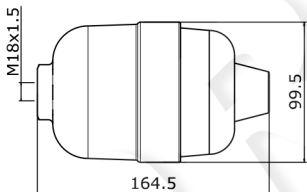

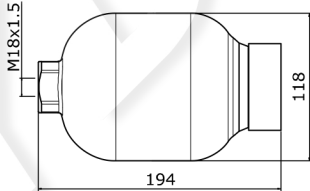

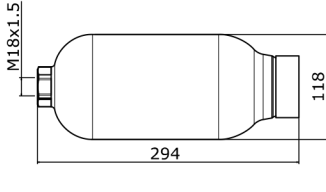


PRODUCT TYPE: (page 65)	
SU2	Two (P) lines supply unit at high pressure
SU3	Three (P) lines supply unit at high pressure
SE2	Supply unit with 2 inlets at high pressure and 1 outlet with reduced pressure (port U) with dump valve
SE3/1	Supply unit with 3 inlets at high pressure and 1 outlet with reduced pressure (port U) with dump valve
SE3/2	Supply unit with 3 inlets at high pressure and 2 outlets with reduced pressure (port BV-PR) with dump valve on each outlet
SE3/3	Supply unit with 3 inlets at high pressure and 3 outlets with reduced pressure (port BV-PR-RT) with dump valve on each outlet
1 ACCUMULATOR CLASSIFICATION CURVE: (page 66)	
V01	Without accumulator
V03	Prearranged for accumulator (1/2" BSP)
V04	Hydropneumatic accumulator with rubber membrane (Volume of nitrogen: lt. 0,35 - Precharge: 10 bar)
2 REDUCING VALVE:	
30	In the ordering code is necessary to indicate the pressure setting of reducing valve. setting range pressure: 0-70 bar
3 BODY ARRANGEMENT: (page 69)	
RA G02	Standard body (only for SU2) (G 1/4 ports)
RB G02	Standard body (only for SU3) (G 1/4 ports)
RV G02	Body with dump valve 12 Vdc (only for SE2 - SE3) (G 1/4 ports)
RW G02	Body with dump valve 24 Vdc (only for SE2 - SE3) (G 1/4 ports)
RA U02	Standard body (only for SU2) (9/16"-18 UNF ports)
RB U02	Standard body (only for SU3) (9/16"-18 UNF ports)
RV U02	Body with dump valve 12 Vdc (only for SE2 - SE3) (9/16"-18 UNF ports)
RW U02	Body with dump valve 24 Vdc (only for SE2 - SE3) (9/16"-18 UNF ports)

SUPPLY UNIT CLASSIFICATION

Code	Schema	Configuration	Description
SU2			<p>Two (P) lines supply unit at high pressure</p>
SU3			<p>Three (P) lines supply unit at high pressure</p>
SE2			<p>Supply unit with 2 inlets at high pressure and 1 outlet with reduced pressure (port U) with dump valve</p>
SE3/1			<p>Supply unit with 3 inlets at high pressure and 1 outlet with reduced pressure (port U) with dump valve</p>
SE3/2			<p>Supply unit with 3 inlets at high pressure and 2 outlets with reduced pressure (port BV-PR) with dump valve on each outlet</p>
SE3/3			<p>Supply unit with 3 inlets at high pressure and 3 outlets with reduced pressure (port BV-PR-RT) with dump valve on each outlet</p>

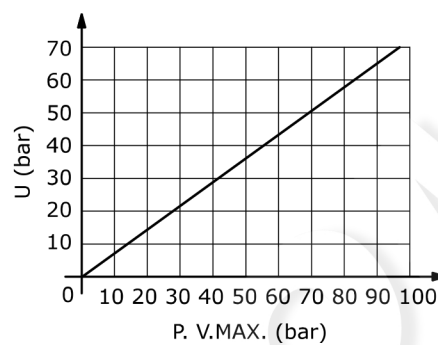
ACCUMULATOR CLASSIFICATION

Code	Schema	Dimensions	Description
V01			Without accumulator
V02			Prearranged for accumulator (M18x1,5)
V03			Prearranged for accumulator (1/2" BSP)
V04			Hydropneumatic accumulator with rubber membrane Volume of nitrogen: lt. 0,35 Precharge: 10 bar
V05			Hydropneumatic accumulator with rubber membrane Volume of nitrogen: lt. 0,75 Precharge: 10 bar
V06			Hydropneumatic accumulator with rubber membrane Volume of nitrogen: lt. 1,50 Precharge: 10 bar

ACCUMULATORS TECHNICAL SPECIFICATIONS			
Max. working pressure	Working temperature	Max. allowed pressure ratio	Accumulator precharge pressure
210 bar	-20°C +80°C	< 6/1	10 bar

SETTING DIAGRAM, REDUCING VALVE, RELIEF VALVE

Because of the small dimensions and working on the same adjusting screw, this valve has the possibility of setting both the pressure reducing valve and the main relief valve. Main relief valve pressure setting is higher than about 10 bar if compared to the pressure reducing valve - see the pressure setting diagram. Supply unit may be installed in any mounting position but the accumulator should be as far as possible from heat sources..



DUMP VALVE TECHNICAL SPECIFICATIONS

Description	Value
Operating voltage	12 Vdc +/-20% - 24 Vdc +/-20%
Resistance at 20°C	7 W - 28 W
Power at 20°C	20,5 W
Utilization factor	ED100%
Class wrapping (IEC 85)	H
Connector	DIN 43650/ISO4400
Connector protection (EN 60529)	IP65

On request equipped counterpart connector DIN 43650/ISO4400. Ordering code: 413000313.

BODY ARRANGEMENT

The body configuration of a supply unit changes according to the product used; BSP and UNF service ports are featured in every set-up. For different applications contact our Commercial Dept.

Code	Configuration	Description	SU2	SU3	SE2	SE3/1	SE3/2	SE3/3
RA G02		Standard body ports G 1/4	•					
RA U02		Standard body ports 9/16" - 18 UNF	•					
RB G02		Standard body ports G 1/4		•				
RB U02		Standard body ports 9/16" - 18 UNF		•				
RV G02		Body with dump valve (12 Vdc) ports G 1/4			•	•	•	•
RV U02		Body with dump valve (12 Vdc) ports 9/16" - 18 UNF				•	•	•
RW G02		Body with dump valve (24 Vdc) ports G 1/4			•	•	•	•
RW U02		Body with dump valve (24 Vdc) ports 9/16" - 18 UNF				•	•	•