

Part number:

HYDROMA

HYDRAULICKÉ SYSTÉMY

**HIDROMA
SISTEMS**

UKŁADY HYDRAULICZNE

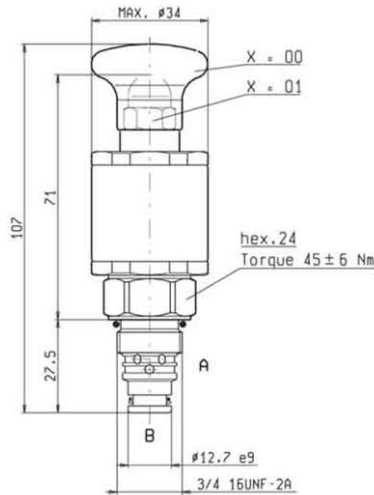
HYDROMA

ГИДРАВЛИЧЕСКИЕ СИСТЕМЫ

**MANUAL OPERATED CARTRIDGE VALVES
POPPET 2-WAY NORMALLY CLOSED**

VMI-A2-NC-06

OD.55 - K - X - 56



DESCRIPTION - OPERATION

These manual operated poppet style cartridge valves are particularly suitable to be used on hydraulic power packs, as emergency overrides, in a sequencing operation activated by cams or other mechanical devices.

FEATURES - RATINGS

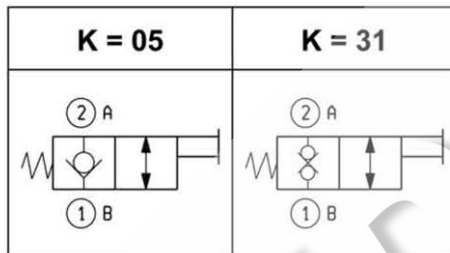
Maximum Operating Pressure

350 bar

Rated Flow

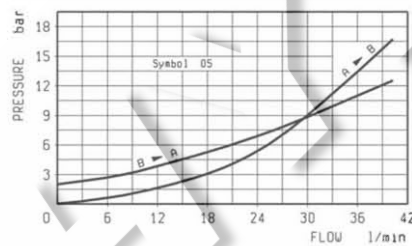
40 l/min

- Cavity - Tooling (page 7.01.10) : 018-E
- Weight : 0.280 kg
- Fluids - Temperatures - Testing Conditions - Seals : see page 7.01.04
- Internal Leakage : see page 7.01.04
- Filtration : 25 µm nominal or better, see page 7.01.05
- Mounting Position : unrestricted
- Only for cam-operated valves:
OPERATING STROKE: 3.0 mm
MAX. OVERSTROKE: 0.5 mm

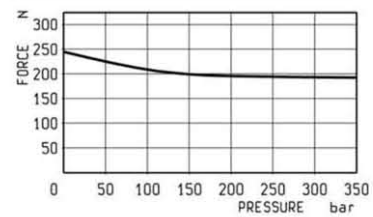


X	OPERATION
00	HAND-OPERATED
01	CAM-OPERATED

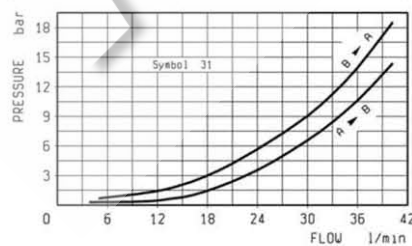
PRESSURE DROP



OPERATING FORCE DIAGRAM



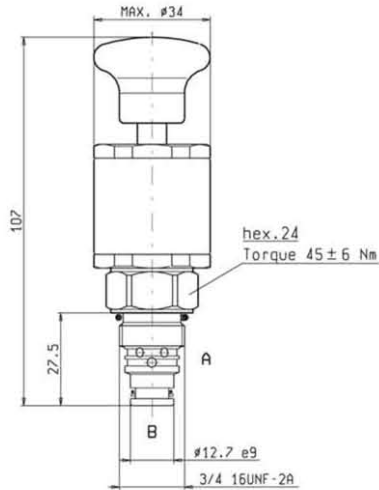
PRESSURE DROP



**MANUAL OPERATED CARTRIDGE VALVES
POPPET 2-WAY NORMALLY OPEN**

VMI-A2-NA-06

OD.55 - K - X - 56



DESCRIPTION - OPERATION

These manual operated poppet style cartridge valves are particularly suitable to be used on hydraulic power packs, as emergency overrides, in a sequencing operation activated by cams or other mechanical devices.

FEATURES - RATINGS

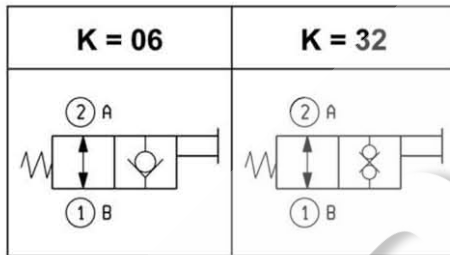
Maximum Operating Pressure

350 bar

Rated Flow

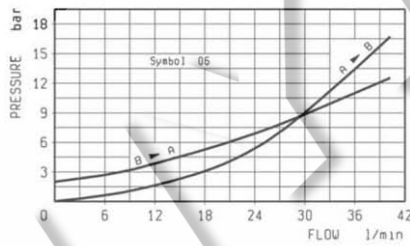
40 l/min

- Cavity - Tooling (page 7.01.10) : 018-E
- Weight : 0.270 kg
- Fluids - Temperatures - Testing Conditions - Seals : see page 7.01.04
- Internal Leakage : see page 7.01.04
- Filtration : 25 µm nominal or better, see page 7.01.05
- Mounting Position : unrestricted

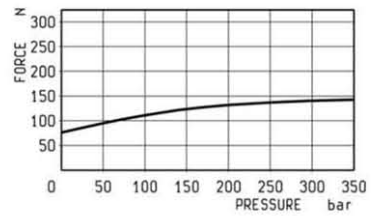


X	OPERATION
00	HAND-OPERATED

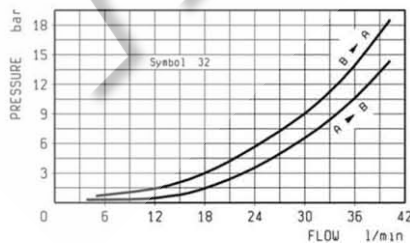
PRESSURE DROP



OPERATING FORCE DIAGRAM



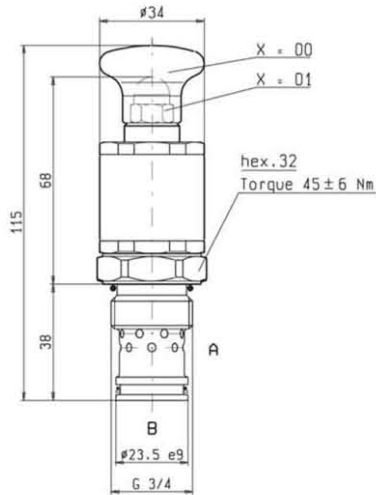
PRESSURE DROP



**MANUAL OPERATED CARTRIDGE VALVES
POPPET 2-WAY NORMALLY CLOSED**

VMI-A2-NC-09

OD.55 - K - X - 04



DESCRIPTION - OPERATION

These manual operated poppet style cartridge valves are particularly suitable to be used on hydraulic power packs, as emergency overrides, in a sequencing operation activated by cams or other mechanical devices.

FEATURES - RATINGS

Maximum Operating Pressure

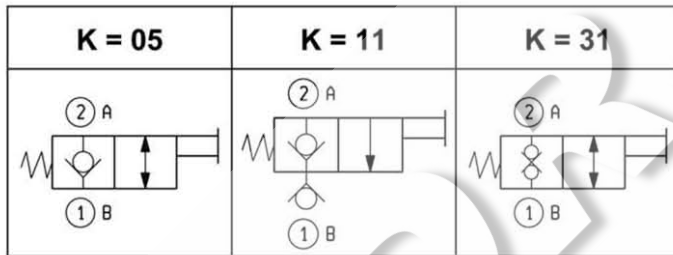
350 bar

Rated Flow

70 l/min

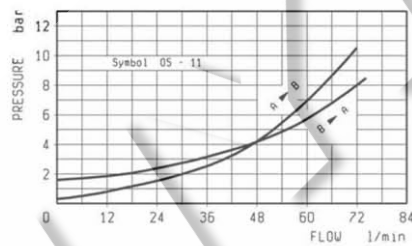
- Cavity - Tooling (page 7.01.10) : 017-E
- Weight : 0.370 kg
- Fluids - Temperatures - Testing Conditions - Seals : see page 7.01.04
- Internal Leakage : see page 7.01.04
- Filtration : 25 µm nominal or better, see page 7.01.05
- Mounting Position : unrestricted
- Only for cam-operated valves:

OPERATING STROKE: 3.0 mm
MAX. OVERSTROKE: 0.5 mm

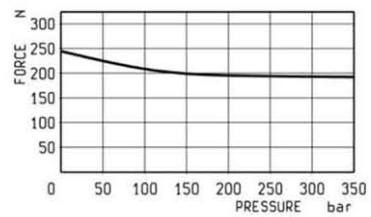


X	OPERATION
00	HAND-OPERATED
01	CAM-OPERATED

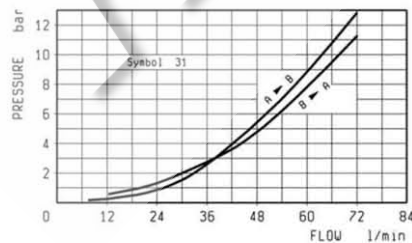
PRESSURE DROP



OPERATING FORCE DIAGRAM



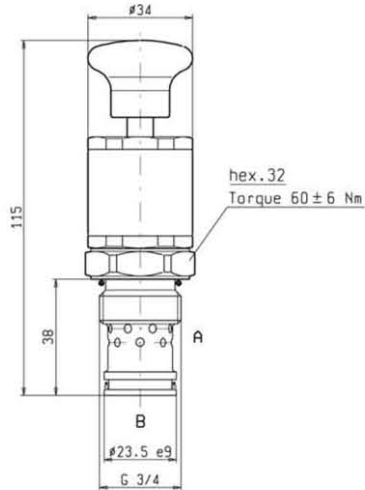
PRESSURE DROP



**MANUAL OPERATED CARTRIDGE VALVES
POPPET 2-WAY NORMALLY OPEN**

VMI-A2-NA-09

OD.55 - K - X - 04

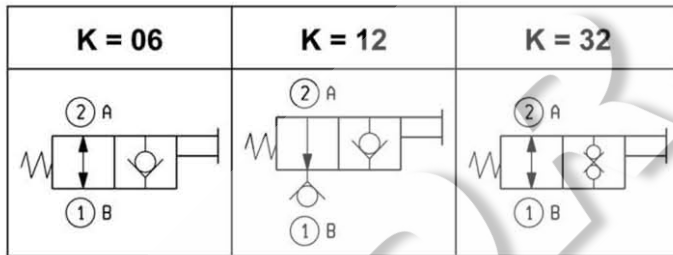


DESCRIPTION - OPERATION

These manual operated poppet style cartridge valves are particularly suitable to be used on hydraulic power packs, as emergency overrides, in a sequencing operation activated by cams or other mechanical devices.

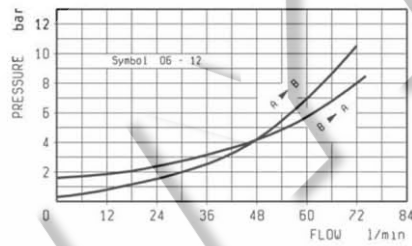
FEATURES - RATINGS

- | | |
|--|-----------------|
| Maximum Operating Pressure | 350 bar |
| Rated Flow | 70 l/min |
| <ul style="list-style-type: none"> • Cavity - Tooling (page 7.01.10) : 017-E • Weight : 0.360 kg • Fluids - Temperatures - Testing Conditions - Seals : see page 7.01.04 • Internal Leakage : see page 7.01.04 • Filtration : 25 µm nominal or better, see page 7.01.05 • Mounting Position : unrestricted | |

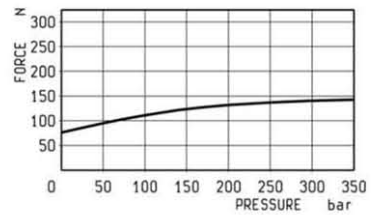


X	OPERATION
00	HAND-OPERATED

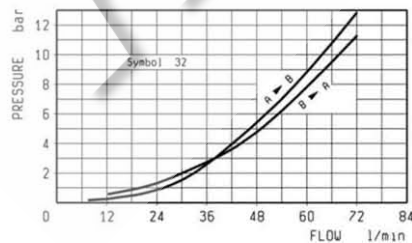
PRESSURE DROP



OPERATING FORCE DIAGRAM



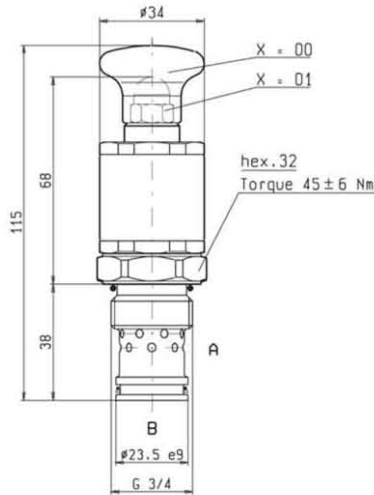
PRESSURE DROP



**MANUAL OPERATED CARTRIDGE VALVES
POPPET 2-WAY NORMALLY CLOSED**

VMI-A2-NC-12

OD.55 - K - X - 05



DESCRIPTION - OPERATION

These manual operated poppet style cartridge valves are particularly suitable to be used on hydraulic power packs, as emergency overrides, in a sequencing operation activated by cams or other mechanical devices.

FEATURES - RATINGS

Maximum Operating Pressure

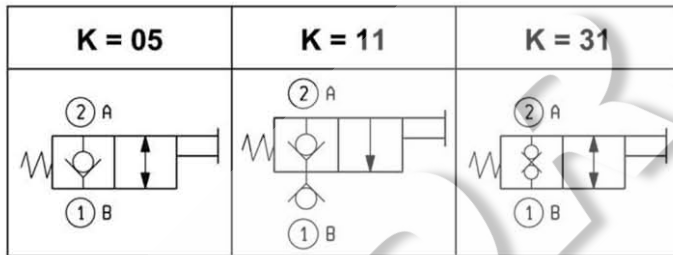
350 bar

Rated Flow

150 l/min

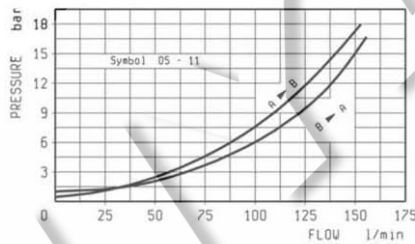
- Cavity - Tooling (page 7.01.11) : 021-E
- Weight : 0.500 kg
- Fluids - Temperatures - Testing Conditions - Seals : see page 7.01.04
- Internal Leakage : see page 7.01.04
- Filtration : 25 µm nominal or better, see page 7.01.05
- Mounting Position : unrestricted
- Only for cam-operated valves:

OPERATING STROKE: 3.0 mm
MAX. OVERSTROKE: 0.5 mm

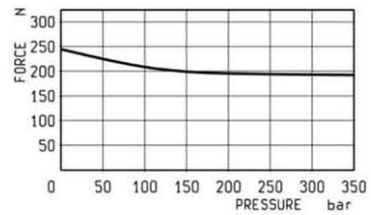


X	OPERATION
00	HAND-OPERATED
01	CAM-OPERATED

PRESSURE DROP



OPERATING FORCE DIAGRAM



PRESSURE DROP

