

Part number:

**HYDROMA**

HYDRAULICKÉ SYSTÉMY

**HIDROMA  
SYSTEMS**

UKŁADY HYDRAULICZNE

**HYDROMA**

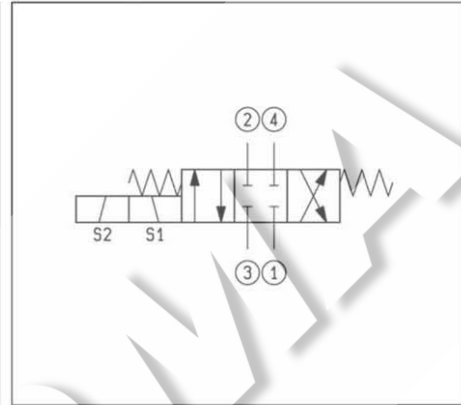
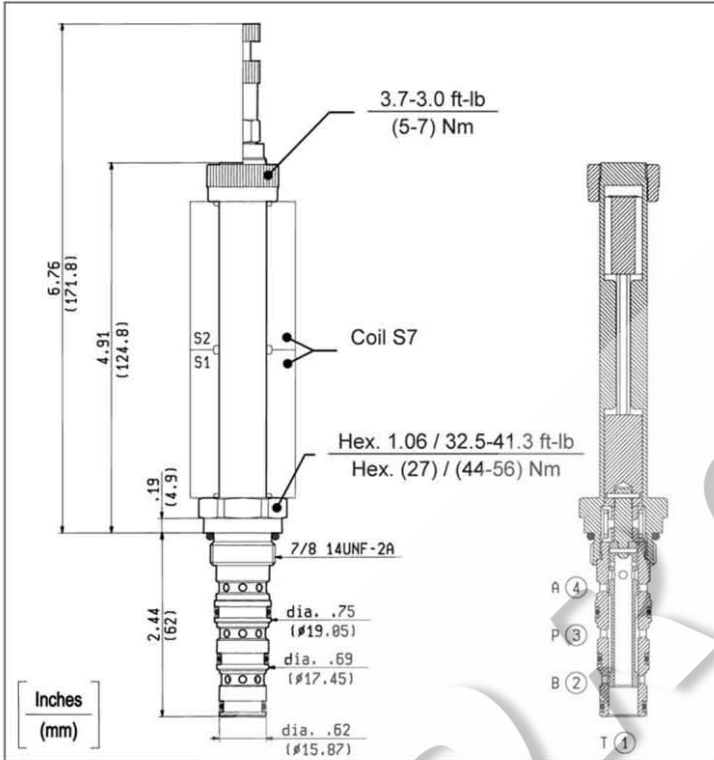
ГИДРАВЛИЧЕСКИЕ СИСТЕМЫ

**SOLENOID OPERATED VALVES  
SPOOL 4-WAY 3-POSITION  
COMMON CAVITY**

**VED-71-43-09-CC**

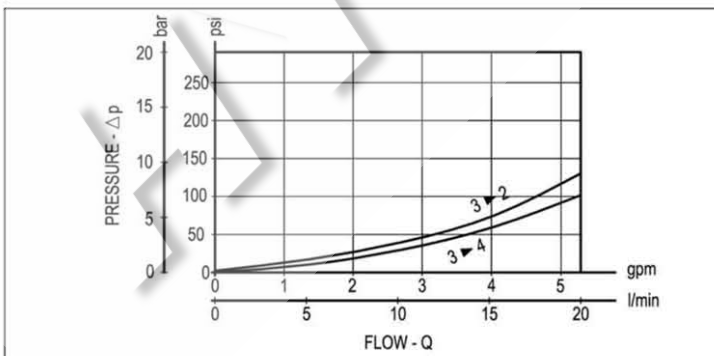
**SIZE 10**

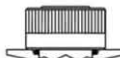
**OD.14.31.78 - Y - 00**



**TECHNICAL DATA**

Maximum Operating Pressure	3000 psi (210 bar)
Rated Flow	6 gpm (20 l/min)
Cavity - Tooling (CA-10A-4N)	page CT.A.004.U
Line bodies	page MN2.A...
Weight	0.595 lbs (0.270 kg)
Fluids - Temperatures	page 7.01.040
Testing Conditions - Seals	page 7.01.040
Internal Leakage at 3000 psi (210 bar) with 46 cSt oil	Max.7.3 in <sup>3</sup> /min (Max.120 cm <sup>3</sup> /min)
Filtration : 25 μm nominal or better	page 7.01.050
Minimum Voltage Required	90% of nominal
Coils must be ordered separately	page 1.71.070
Mounting Position	unrestricted



Y	ORDERING OPTIONS
80	Standard 
81	Push and Pull Manual Override 