

Part number:

HYDROMA

HYDRAULICKÉ SYSTÉMY

**HIDROMA
SYSTEMS**

UKŁADY HYDRAULICZNE

HYDROMA

ГИДРАВЛИЧЕСКИЕ СИСТЕМЫ

RE 18329-80/03.16

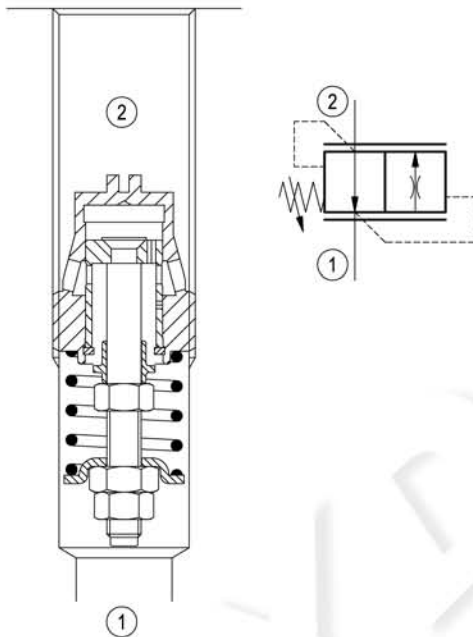
Replaces: RE 18329-80/02.16

Insert type Flow control, 2-way pressure compensated, partially adjustable



VCD1

OT.F3.01 - X - Y - Z



Description

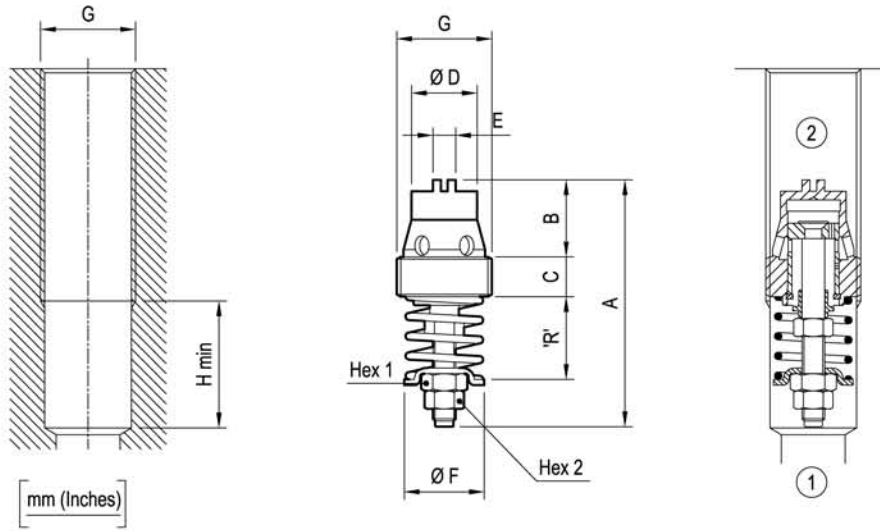
These valves can be used either as lowering control devices or as two ways flow regulators. In the first option, they keep the lowering speed largely independent from the load, while, in the second option, they limit flow to the preset value which can be adjusted within the regulate flow path. On the opposite flow direction, from 2 to 1, the valve is acting as a free flow check reducing the pressure drop to low values (see diagram $\Delta P - Q$).

Technical data

Max. operating pressure	bar (psi)	315 (4500)
Max. flow	l/min. (gpm)	see "Flow range adjustment" table and "Performance" graphs
Fluid temperature range	°C (°F)	-30 to 100 (-22 to 212)
Installation torque	Nm (ft-lbs)	see "Dimensions" table
Weight	kg (lbs)	see "Dimensions" table
Special cavity		see "Dimensions"
Lines bodies and standard assemblies		Please refer to section "Hydraulic integrated circuit" or consult factory
Fluids		Mineral-based or synthetics with lubricating properties at viscosities of 10 to 500 mm ² /s (cSt)
Recommended degree of fluid contamination		Nominal value max. 10µm (NAS 8) ISO 4406 19/17/14
Installation		No restrictions
Other Technical Data		See data sheet RE 18350-50

Note: available also as "Sleeve valve for line mounting"
See data sheets RE 18316-14, RE 18316-15,
RE 18316-16 and RE 18316-17

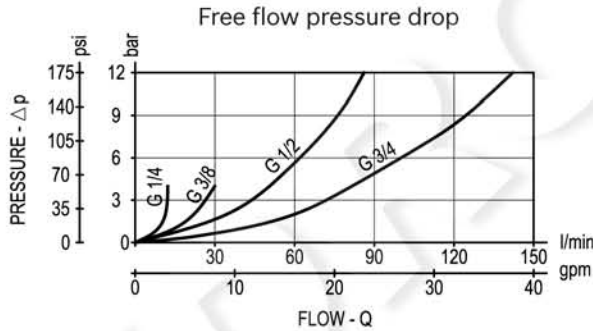
Dimensions



G *	A	B	C	D	E	F	Hex 1	Hex 2	H	Weight kg (lbs)	Inst. torque Nm (ft-lbs)	Flow max. l/min. (gpm)
G 1/4	38.3 (1.51)	12.5 (0.49)	7 (0.28)	10 (0.39)	4 (0.16)	10.3 (0.41)	5.5 (0.22)	4.5 (0.18)	22 (0.87)	0.012 (0.027)	6 (4)	10 (3)
G 3/8	43 (1.69)	13.5 (0.53)	7 (0.28)	11.5 (0.45)	4 (0.16)	14 (0.55)	7 (0.28)	6 (0.24)	23 (0.91)	0.025 (0.055)	8 (6)	25 (7)
G 1/2	49 (1.93)	16 (0.63)	8 (0.32)	15 (0.59)	6 (0.24)	18.2 (0.72)	7 (0.28)	6 (0.24)	27 (1.06)	0.038 (0.084)	12 (9)	67 (18)
G 3/4	60 (2.36)	21 (0.83)	10 (0.39)	20 (0.79)	6 (0.24)	23 (0.91)	7 (0.28)	6 (0.24)	31 (1.22)	0.070 (0.154)	15 (11)	150 (40)

* Thread in accordance with ISO 228-1 Note: Metric versions available on request. Consult factory.

Performance



Performance curves: spring's length - flow (regulated flow) with nominal pressure of 50 bar (725 psi). Curves represent the obtained flow range related to orifices 01-02-03-04-05.

