

Part number:

006-10075

HYDROMA

HYDRAULICKÉ SYSTÉMY

**HIDROMA
SYSTEMS**

UKŁADY HYDRAULICZNE

HYDROMA

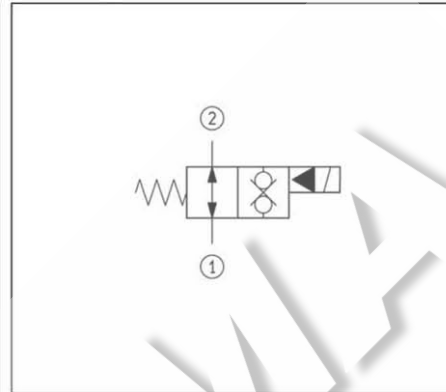
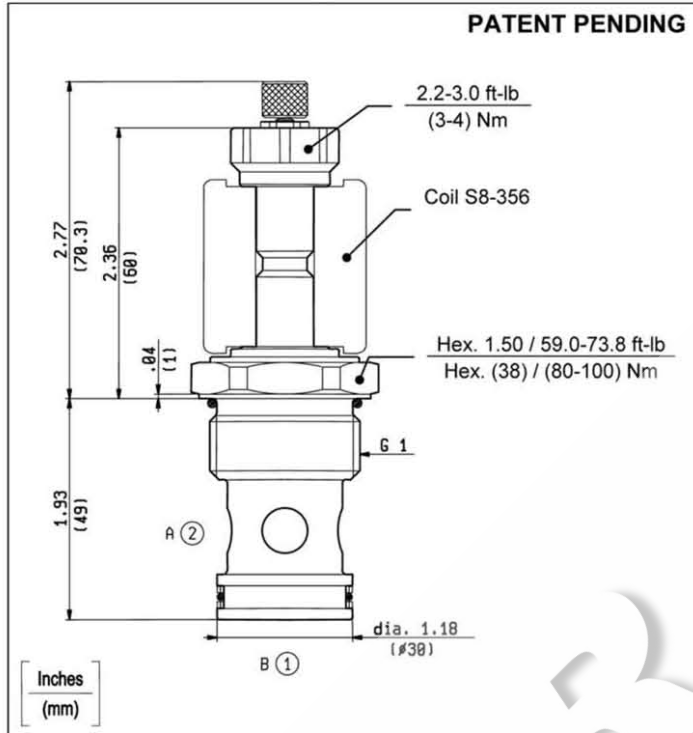
ГИДРАВЛИЧЕСКИЕ СИСТЕМЫ

**SOLENOID OPERATED VALVES
POPPET 2-WAY DOUBLE LOCK NORMALLY OPEN
SPECIAL CAVITY**

VEI-8A-2T-12-NA-S-NSS

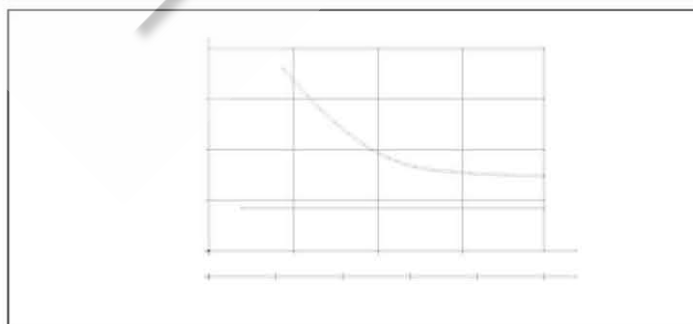
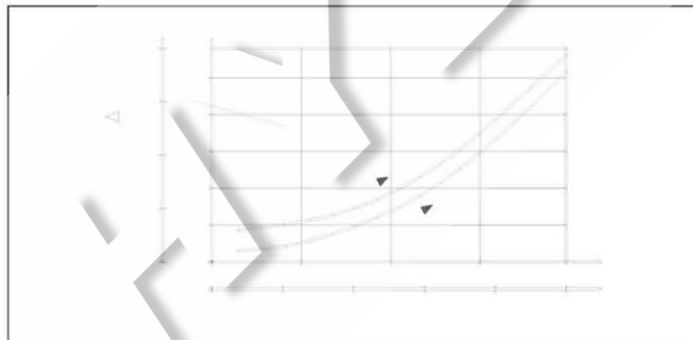
021-E

OD.15.32.21 - Y - S0



TECHNICAL DATA

Maximum Operating Pressure	5000 psi (350 bar)
Rated Flow	39 gpm (150 l/min)
Cavity - Tooling (021-E)	page CT.S.006.U
Line bodies	page MN2.S...
Weight	0.772 lbs (0.350 kg)
Fluids - Temperatures	page 7.01.040
Testing Conditions - Seals	page 7.01.040
Internal Leakage	page 7.01.040
Filtration : 25 µm nominal or better	page 7.01.050
Minimum Voltage Required	90% of nominal
Coils must be ordered separately	page 1.71.042
Mounting Position	unrestricted



Y	ORDERING OPTIONS	
1A	Standard	
1B	Push Style Manual Override	
1C	Push and Twist Style Manual Override	

Rev.02.10

1.14B.660.U