

Part number:

HYDROMA

HYDRAULICKÉ SYSTÉMY

**HIDROMA
SYSTEMS**

UKŁADY HYDRAULICZNE

HYDROMA

ГИДРАВЛИЧЕСКИЕ СИСТЕМЫ

Air Filters

Air Filters



SAB

FA

FA

AIR BREATHER FILTER

MATERIALS

Housing: black painted steel
(zinc plated steel for FA47++ only)

Connector (FA47++): zinc plated steel

Mounting flange (FA55++):
black painted steel

Clamp (FA68++): stainless steel

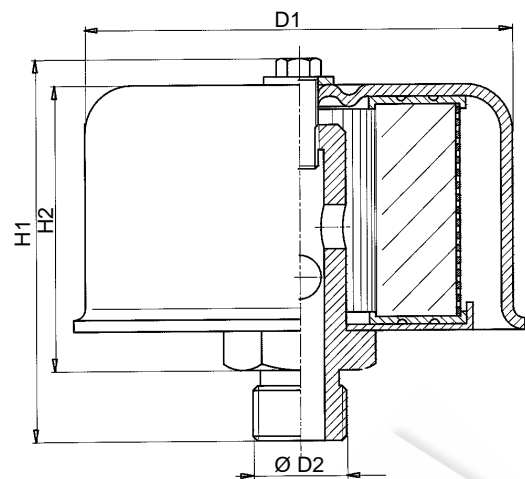
Working temperature: $-25 \div +110^{\circ}\text{C}$

COMPATIBILITY (ISO 2943:1999)

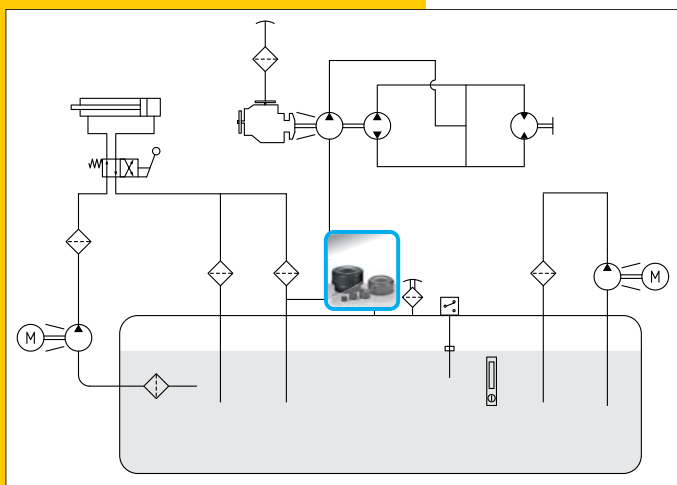
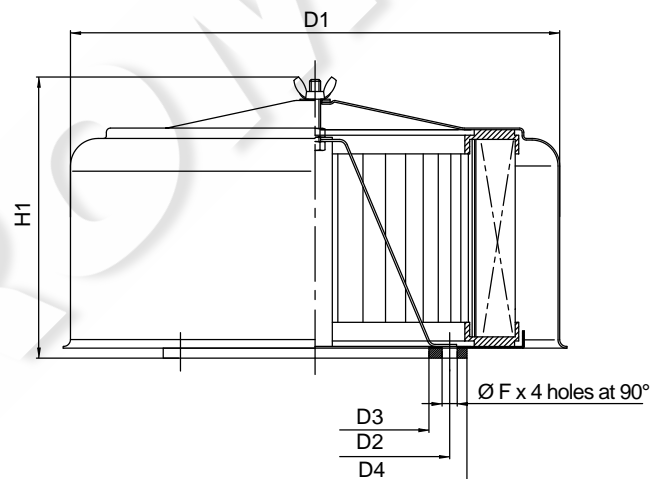
Full with fluids: HH-HL-HM-HV-HTG
(according to ISO 6743/4).

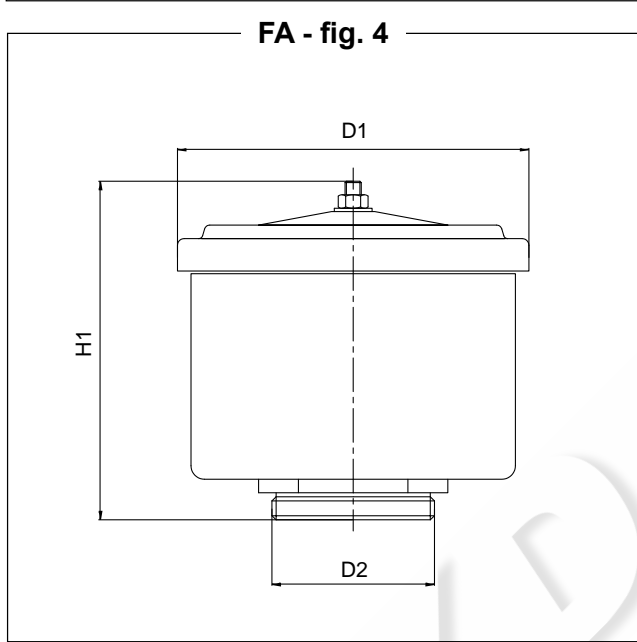
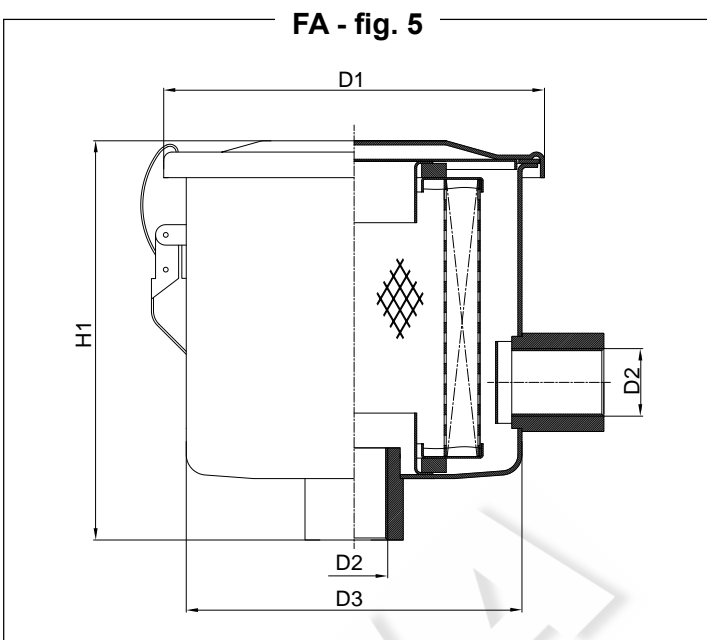
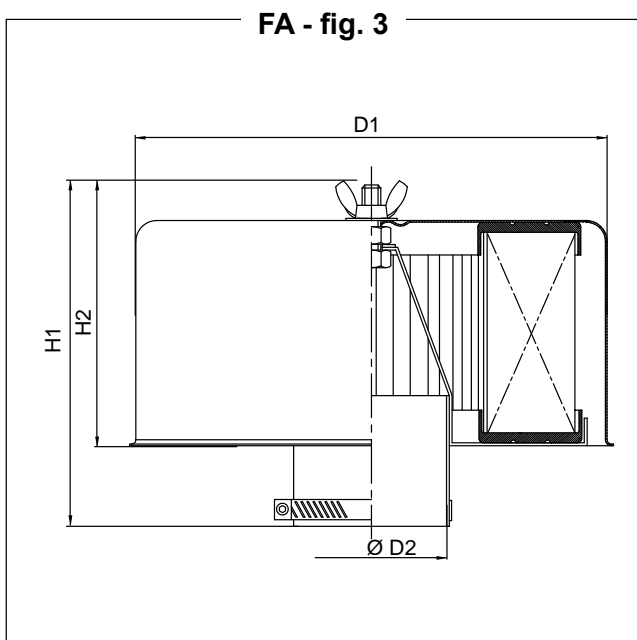
For fluids different than the above
mentioned, please contact
our Sales Department.

FA - fig. 1



FA - fig. 2





DIMENSIONAL LAYOUT
(mm)

	μm	Type	l/min	Spare Cartridge	D1	D2	D3	D4	F	H1	H2	Weight Kg
Fig.1	20 μm	FA 4733.1	200	40.159	60	12 x1,5	-	-	-	55,5	43	0,155
		FA 4733.1A	200	40.159	60	3/8"	-	-	-	55,5	43	0,155
		FA 4733.3	200	40.159	60	1/4"	-	-	-	55,5	43	0,155
		FA 4733.2	500	40.160	82	16 x1,5	-	-	-	71	53	0,295
		FA 4733.4	500	40.160	82	1/2"	-	-	-	71	53	0,295
		FA 4733.4 A	500	40.160	82	3/4"	-	-	-	71	53	0,295
		FA 4733.5	850	40.161	115	1"	-	-	-	100,5	76	0,510
Fig.2	35 μm	FA 5528.1	6000	40.165	292	100	130	160	8,5	120	-	2,500
		FA 5528.2	9000	40.166	292	125	155,5	180	11	145	-	2,800
		FA 5554.1	12000	40.169	354	145	175	200	11	160	-	2,500
		FA 5554.2	15000	40.170	354	165	195	220	11	190	-	3,000
		FA 5554.3	20000	40.171	354	165	195	220	11	240	-	3,500
Fig.3	35 μm	FA 6830.A	1000	40.162	122	40	-	-	-	120	92	0,600
		FA 6830.B	1500	40.162	122	52	-	-	-	120	92	0,600
		FA 6830.C	3000	40.163	220	70	-	-	-	145	125	1,600
		FA 6830.D	4000	40.163	220	76	-	-	-	145	125	1,600
Fig.4	35 μm	FA 4352.1	500	40.155	130	2" GAS	-	-	-	100	-	0,55
		FA 4352.2	1000	40.156	130	2" GAS	-	-	-	130	-	0,60
		FA 4352.3	1500	40.157	130	2" GAS	-	-	-	175	-	0,75
Fig.5	20 μm	FA 6740.A	1700	30.019	186	1" 1/4 GAS	164	-	-	195	-	2,20
		FA 6740.B	2500	30.019	186	1" 1/2 GAS	164	-	-	195	-	2,10
		FA 6740.C	3400	30.361	210	2" GAS	187	-	-	204	-	4,30

SAB

AIR BREATHER FILTER WITH SPIN-ON ELEMENT

MATERIALS

Connector: steel
(zinc plated for the flanged version)

Cartridge canister: steel

Working temperature: $-25 \div +110^{\circ}\text{C}$

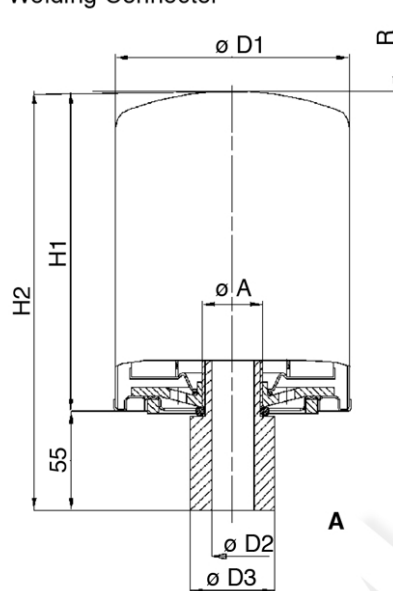
COMPATIBILITY (ISO 2943:1999)
Full with fluids: HH-HL-HM-HV-HTG
(according to ISO 6743/4).
For fluids different than the above
mentioned, please contact
our Sales Department.

DIMENSIONAL LAYOUT

(mm)

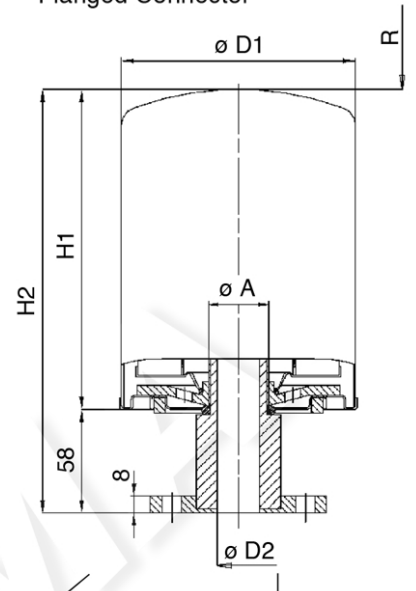
SAB++S

Welding Connector

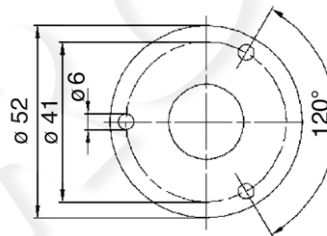


SAB++F

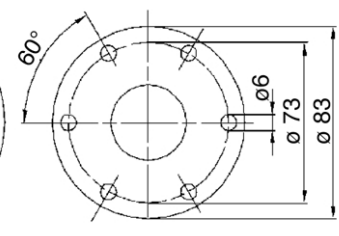
Flanged Connector



SAB15+F



SAB30+F



tank connection:
DIN 24557/2

Type	Spare Cartridge	A	D1	D2	D3	H1	H2	R
SAB151S++	CCA151++	3/4" BSP	96	18	32	146	200	40
SAB152S++	CCA152++	3/4" BSP	96	18	32	191	246	40
SAB301S++	CCA301++	1" 1/4 BSP	129	32	48	181	236	40
SAB302S++	CCA302++	1" 1/4 BSP	129	32	48	226	281	40
SAB151F++	CCA151++	3/4" BSP	96	18	32	146	203	40
SAB152F++	CCA152++	3/4" BSP	96	18	32	191	249	40
SAB301F++	CCA301++	1" 1/4 BSP	129	32	48	181	239	40
SAB302F++	CCA302++	1" 1/4 BSP	129	32	48	226	284	40

