

Part number:

HYDROMA

HYDRAULICKÉ SYSTÉMY

HIDROMA
SYSTEMS

UKŁADY HYDRAULICZNE

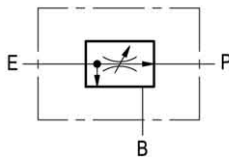
HYDROMA

ГИДРАВЛИЧЕСКИЕ СИСТЕМЫ

Flow regulator, 3-way, combination type, pressure compensated

A-VRFC3C

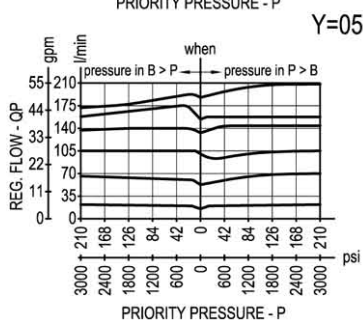
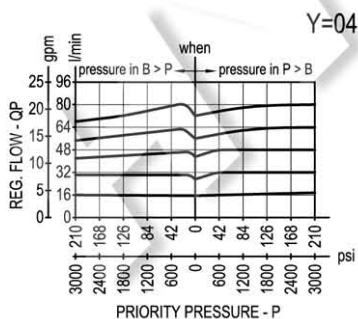
0M.D2.03 - X - Y



Description

A constant priority flow, regardless of system pressures, is established from E to P, while a minimum pressure differential of appr. 5 bar (70 psi) exists between the two ports. While the regulated priority flow from P is used in the priority circuit, the flow supplied to E in excess of priority is by-passed to B port and can be sent to power other actuators. Priority flow can be varied from closed to the nominal maximum rating of the valve. Reverse flow from P to E is limited by the selected opening of the restrictor and is not pressure compensated. Reverse flow from B is not permitted.

Performance



Technical data

Hydraulic

Max. operating pressure	bar (psi)	350 (5000)
-------------------------	-----------	------------

QE = max inlet flow "E" port (see "Dimensions")

QP = max priority flow "P" port (see "Dimensions")

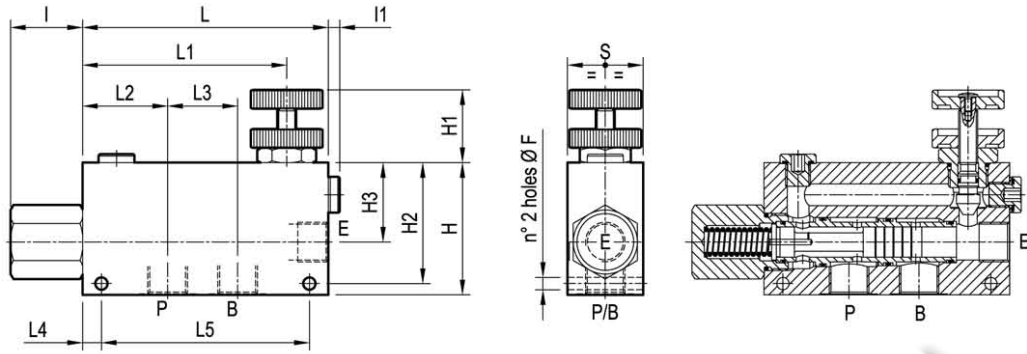
Flow range adjustment : 0 - 3 turns

General

Manifold material	Steel
Weight	see "Dimensions"
Fluid temperature range	°C (°F) between -30 (-22) and +100 (212)
Other technical data	see data sheet RE 18350-50

Note: for applications outside these parameters, please consult us.

Dimensions



[mm (inches)]

70 (2.76)	130 (5.12)	10 (0.39)	56.5 (2.22)	48 (1.89)	122.5 (4.82)	150 (5.91)	6 (0.24)	38 (1.5)	65 (2.56)	120 (4.72)	40 (1.58)	130 (5.12)	8.5 (0.34)	190 l/min 50 gpm	380 l/min 100 gpm	G 1	9.9 (21.8)
50 (1.97)	135 (5.32)	10 (0.39)	44 (1.73)	54 (2.13)	130 (5.12)	155 (6.1)	6 (0.24)	38 (1.5)	55 (2.17)	83 (3.27)	40 (1.58)	90 (3.54)	8.5 (0.34)	90 l/min 24 gpm	150 l/min 40 gpm	G 3/4	5.4 (11.9)
S	L5	L4	L3	L2	L1	L	I1	I	H3	H2	H1	H	F	QP	QE	Y	Weight kg (lbs)

Ordering code

0M.D2.03 | **X** | **Y**

Flow regulator,
3-way, combination type,
pressure compensated

Adjustments

= 70 Handknob and locknut



Port sizes	E - B - P
= 04	G 3/4
= 05	G 1

Type	Material number
OMD203700400000	R930004488
OMD203700500000	R930004490

Type	Material number