

Part number:

HYDROMA

HYDRAULICKÉ SYSTÉMY

**HIDROMA
SYSTEMS**

UKŁADY HYDRAULICZNE

HYDROMA

ГИДРАВЛИЧЕСКИЕ СИСТЕМЫ

Data sheet

Hydraulic / Pneumatic - Ball valves, Valves - Needle valves

Needle Valve

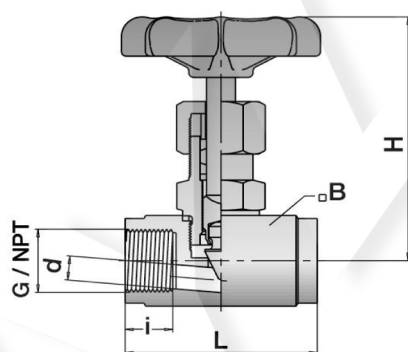


V-NVG12-7

with parallel BSP thread to DIN/ISO 228, with internal stem-adjusting thread

Thread	G
Connection 1	1/2"
Material	1.4571

Technical information



Thread:	G
Connection 1:	1/2"
Material:	1.4571
PN:	400
d:	8
i:	14,5
B:	30
L:	60
H:	80
Weight:	462 g

Details

* Forged. Housing Material: AISI 316Ti, Spindle Material: AISI 316Ti, Spindle Seal: PTFE, Hand wheel: pressed.
Temperature range: -60° C to 200° C. Please refer to the pressure reduction table. Ex according to Directive 2014/34/EU.