

Part number:

HYDROMA

HYDRAULICKÉ SYSTÉMY

**HIDROMA
SISTEMS**

UKŁADY HYDRAULICZNE

HYDROMA

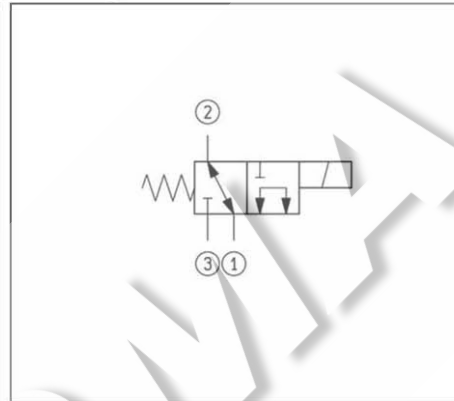
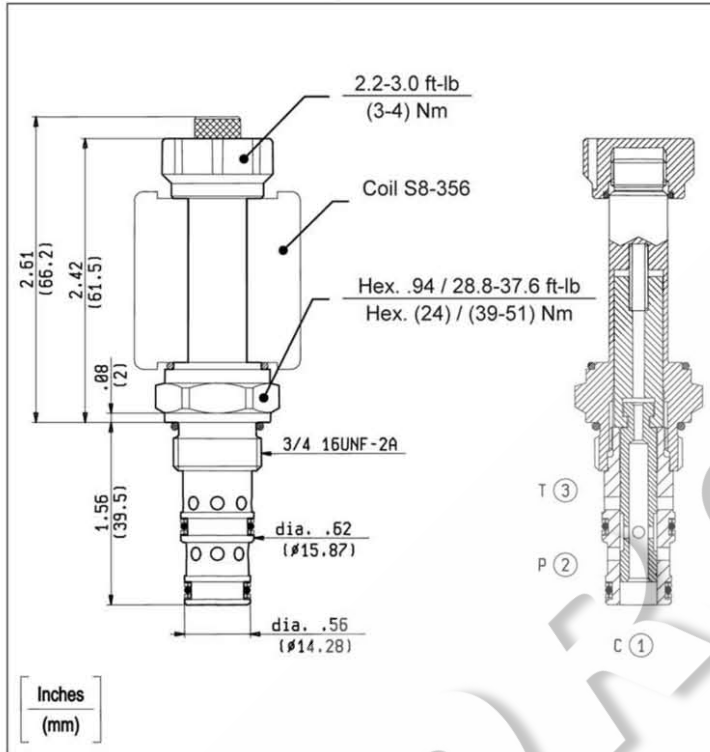
ГИДРАВЛИЧЕСКИЕ СИСТЕМЫ

**SOLENOID OPERATED VALVES
SPOOL 3-WAY 2-POSITION
COMMON CAVITY**

VED-8I-32-06-NA

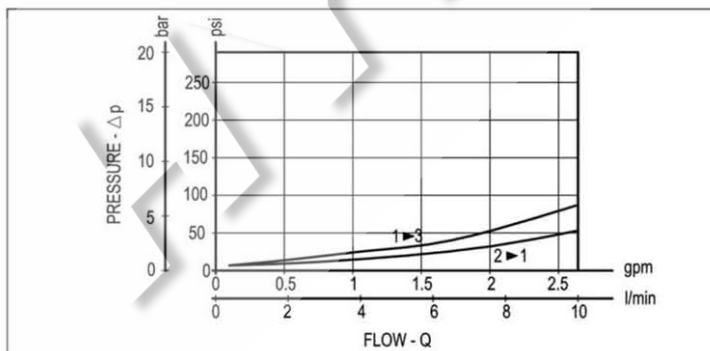
SIZE 08

OD.13.30.51 - Y - 00



TECHNICAL DATA

Maximum Operating Pressure	3000 psi (210 bar)
Rated Flow	3 gpm (10 l/min)
Cavity - Tooling (CA-08A-3N)	page CT.A.003.U
Line bodies	page MN2.A...
Weight	0.286 lbs (0.130 kg)
Fluids - Temperatures	page 7.01.040
Testing Conditions - Seals	page 7.01.040
Internal Leakage at 3000 psi (210 bar) with 46 cSt oil	Max. 2.5 in ³ /min (Max. 40 cm ³ /min)
Filtration : 25 μm nominal or better	page 7.01.050
Minimum Voltage Required	90% of nominal
Coils must be ordered separately	page 1.71.042
Mounting Position	unrestricted



Y	ORDERING OPTIONS	
30	Standard	
40	Knob Style Manual Override	