

Part number:

**HYDROMA**

HYDRAULICKÉ SYSTÉMY

**HIDROMA  
SYSTEMS**

UKŁADY HYDRAULICZNE

**HYDROMA**

ГИДРАВЛИЧЕСКИЕ СИСТЕМЫ

## Dimensional sheets of pump units

Pump units are equipped as standard with three-phase asynchronous motors of efficiency class IE3. Single-phase AC motors and DC motors of various voltage levels are also available on request.

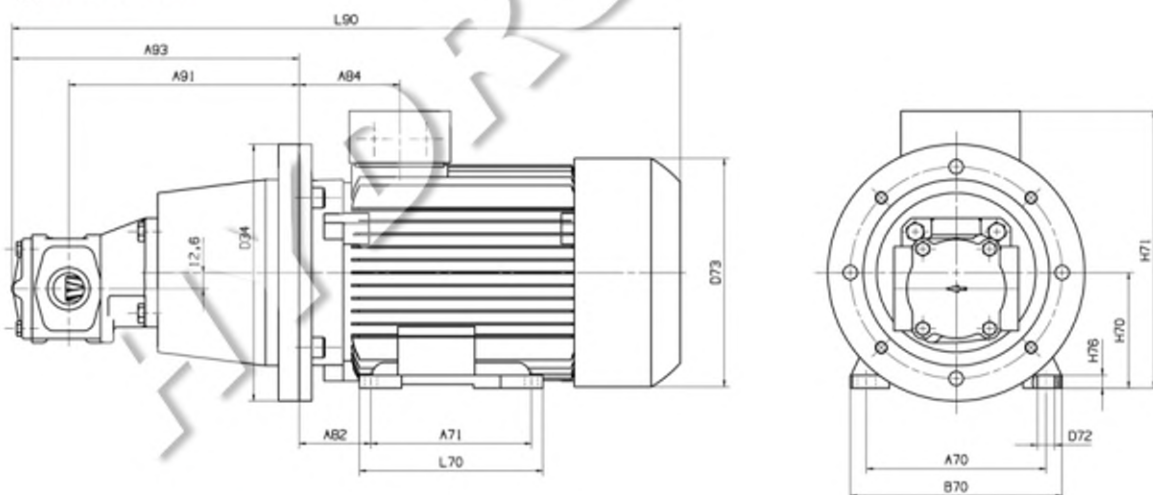
The motor dimensions specified in the dimension tables, which are not standardised in EN 50347, refer to our standard make (special manufacturers are available on request). The dimensions of the standard pump units for different motor sizes can be found in the tables on the following pages.

For different versions (e.g., other motor designs, V1 design, gear pumps with pressure relief valve and/or mechanical seal or magnetic coupling), we will gladly inform you about the respective dimensions and weights on request.

For railway, ship or other applications with special vibration loads, we recommend the heavy-duty design for the unit foot. This changes the drilling pattern of the foot attachment; dimensions on request.

### 1 Size R25

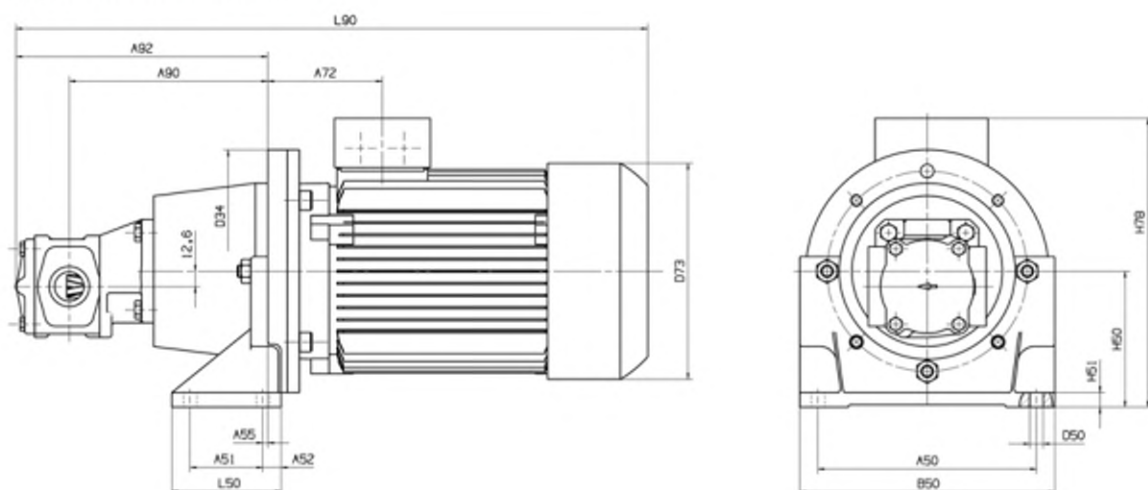
#### 1.1 Type IM B35



Size	Dimensions [mm]															
$V_g$ [cm <sup>3</sup> ]	Motor	A70	A71	A82	A84	A91	A93	B70	D34	D72	D73	H70	H71	H76	L70	L90
2.5...10	71M	112	90	45	63.5	159.5	203.5	132	160	7	145	71	182	7	106	414
	80M	125	100	50	73	169.5	213.5	150	200	9.5	159	80	201	8	118	501
	90S	140	100	56	78.5	179.5	223.5	165	200	10	178	90	216	10	143	521
12.5...20	71M	112	90	45	63.5	164.5	231	132	160	7	145	71	182	7	106	441
	80M	125	100	50	73	174.5	241	150	200	9.5	159	80	201	8	118	528
	90S	140	100	56	78.5	184.5	251	165	200	10	178	90	216	10	143	548
	90L	140	125	56	78.5	184.5	251	165	200	10	178	90	216	10	143	548
	100L	160	140	63	96.5	198.5	265	196	250	12	198	100	266	12	176	601

Tab. 17: Dimensional sheet of size R25 - type IM B35

## 1.2 Type IM B5 with unit foot



Size	Dimensions [mm]																
$V_g$ [cm <sup>3</sup> ]	Motor	A50	A51	A52	A55	A72	A90	A92	B50	D34	D50	D73	H50	H51	H78	L50	L90
2.5...10	71M	140	50	15	7	76.5	146.5	190.5	160	160	9	145	100	10	211	80	414
	80M	180	60	15	4	89	153.5	197.5	210	200	11	159	112	12	233	90	501
	90S	180	60	15	4	94.5	163.5	207.5	210	200	11	178	112	12	238	90	521
12.5...20	71M	140	50	15	7	76.5	151.5	218	160	160	9	145	100	10	211	80	441
	80M	180	60	15	4	89	158.5	225	210	200	11	159	112	12	233	90	528
	90S	180	60	15	4	94.5	168.5	235	210	200	11	178	112	12	238	90	548
	90L	180	60	15	4	94.5	168.5	235	210	200	11	178	112	12	238	90	548
	100L	220	60	21	0	114.5	180.5	247	250	250	13	198	132	15	298	97	601

Tab. 18: Dimensional sheet of size R25 - type IM B5 with unit foot