

Part number:

HYDROMA

**HIDROMA
SISTEMS**

HYDROMA

HYDRAULICKÉ SYSTÉMY

UKŁADY HYDRAULICZNE

ГИДРАВЛИЧЕСКИЕ СИСТЕМЫ

FT 257/2

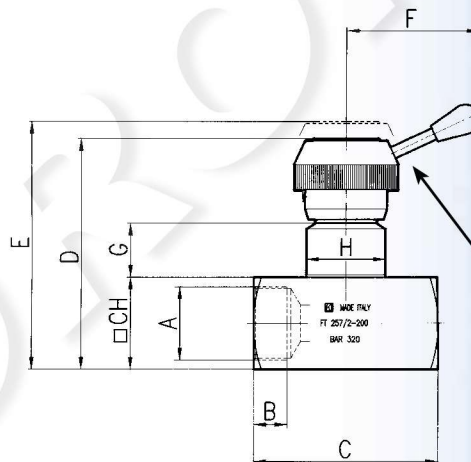
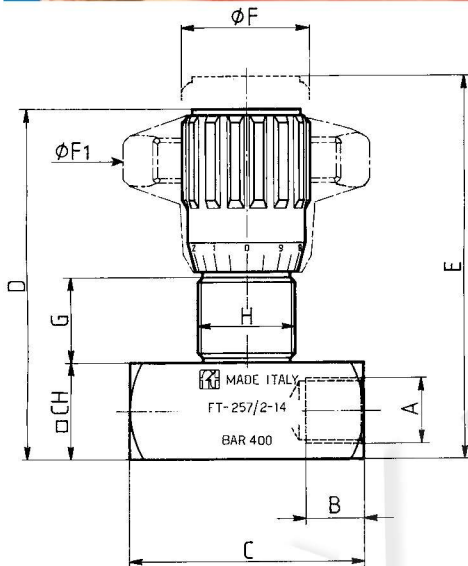


MATERIALS

BODY	11 S MN PB 30 - UNI EN 10087
NEEDLE	1 C 40 - UNI 8373
OR	NITRILE
ANTIEXTRUSION RINGS	PTFE
KNOB	GD - AL SI 12 - UNI EN AB 46100
KNOB (MP)	ABS
KNOB (RA)	GD - AL SI 12 - UNI EN AB 46100

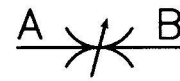
EXAMPLE FOR ORDERING

	CODE	TYPE	PANNEL RING NUT	VITON SEAL	KNOB IN PLASTIC
STEEL	FT 257/2	18	G	V	MP
STAINLESS STEEL	FT 2257/2	38	G	-	MP



only fot type 200

TYPE	A UNI 338	B	C	D	E	ØF	ØF1	G	H	CH	WEIGHT KG
18	1/8" G	8,5	38	59	64	22	40	13,5	M17x1	16	0,110
14	1/4" G	12,5	49	71	78	27	50	17	M20x1	20	0,200
38	3/8" G	12,5	59	84	93	33	70	19,5	M25x1,5	25	0,375
12	1/2" G	15,5	68	97	107	38	80	21	M30x1,5	30	0,600
34	3/4" G	17	86	120,5	132,5	47	100	26,5	M40x1,5	40	1,250
100	1" G	20	105	151,5	167,5	58	120	35	M50x1,5	50	2,550
114	1 1/4" G	22	120	156,5	172,5	58	120	35	M50x1,5	55	3,000
112	1 1/2" G	24	134	167	181	58	120	35	M55x2	65	4,217
200	2" G	27	150	188	202	108	/	44	M65x2	75	7,300



DOUBLE-ACTING SHUT-OFF

They allow flow control in both directions.

They are equipped with a needle so to obtain:

- metallic seal;
- flow linearity at the opening;
- accurate control for a wide range of flow rate.

A double reference system made up of a decimal scale on the handle and of a keyed metal ring with graduated fractional scale and divided into sectors allows the identification of flow conditions.

A locking screw in the handle ensures stable flow values preventing accidental adjustments or movements due to vibrations.

A ring nut (G) is used to carry out the panel mounting, on request.

On request

- Versions AISI 316 code FT 2257/2
- Viton seals (V)
- NPT Threads
- Equipped with ring nuts (G)
- Handwheel in ABS (mp)
- Lobes aluminium die-cast handwheel (RA)

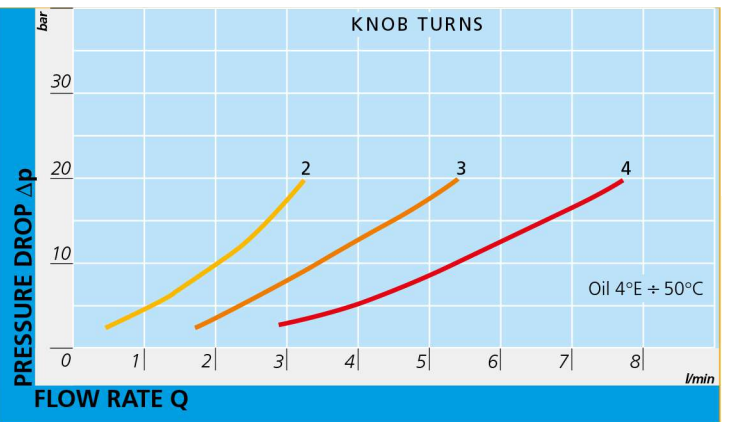


FT 257/2

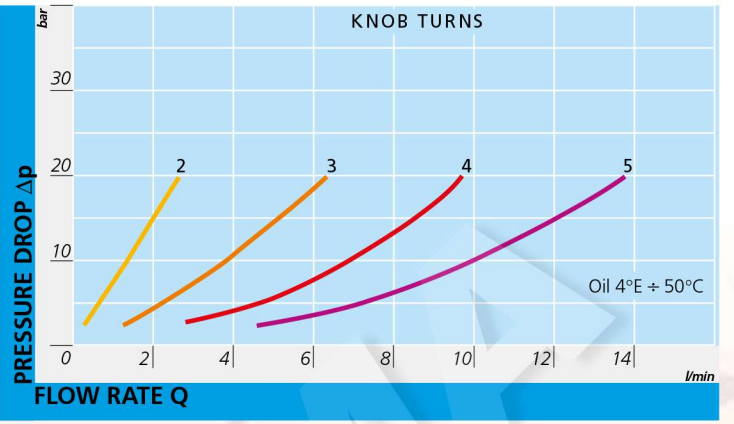
TECHNICAL DATA

TYPE	FLOW SECTION CM ²	WORKING PRESSURE BAR	MIN. BURSTING PRESSURE BAR	WORKING TEMPERATURE	FILTRATION GRADE μM
18	0,12	400	1600	-20°/+100°	25
14	0,19	400	1600	-20°/+100°	25
38	0,39	400	1600	-20°/+100°	25
12	0,68	400	1600	-20°/+100°	25
34	1,13	400	1600	-20°/+100°	25
100	2,09	320	1300	-20°/+100°	25
114	2,09	320	1300	-20°/+100°	25
112	3,14	320	1300	-20°/+100°	25
200	4,91	320	1300	-20°/+100°	25

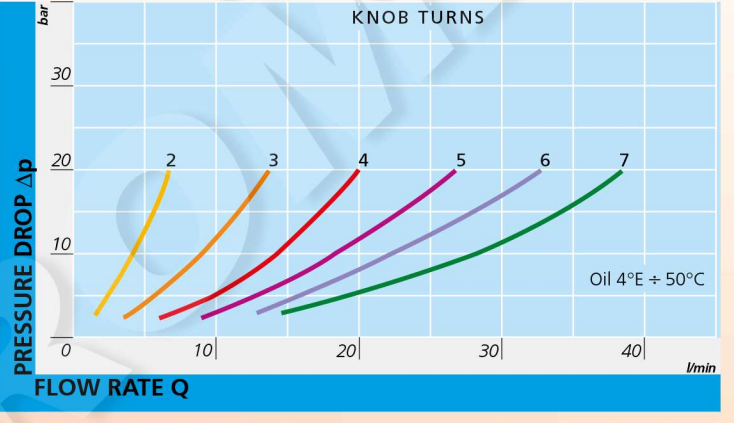
FT 257/2 - 18



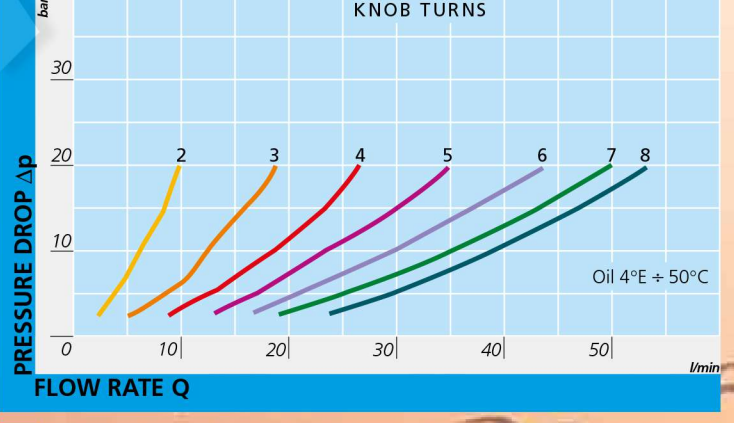
FT 257/2 - 14



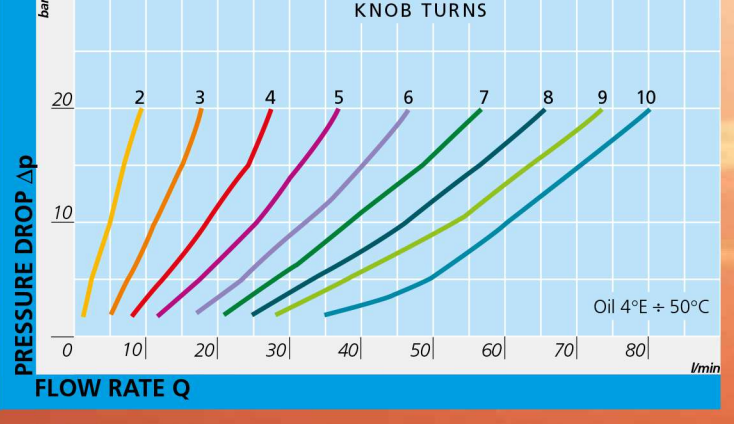
FT 257/2 - 38



FT 257/2 - 12



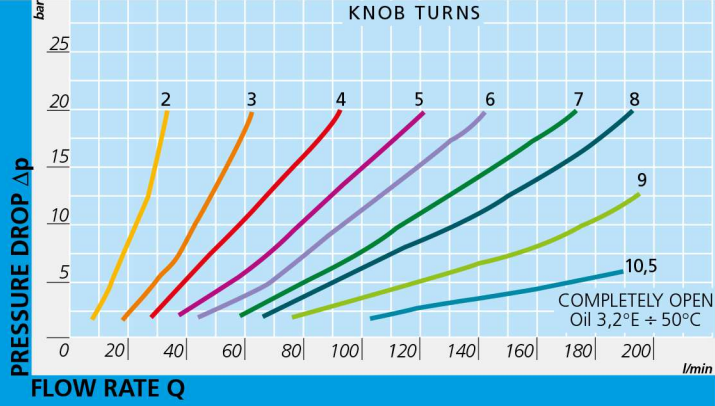
FT 257/2 - 34



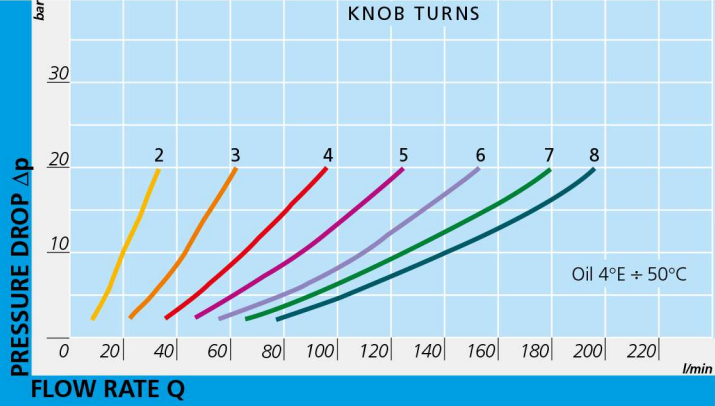
FLOW RATE CURVES

FT 257/2

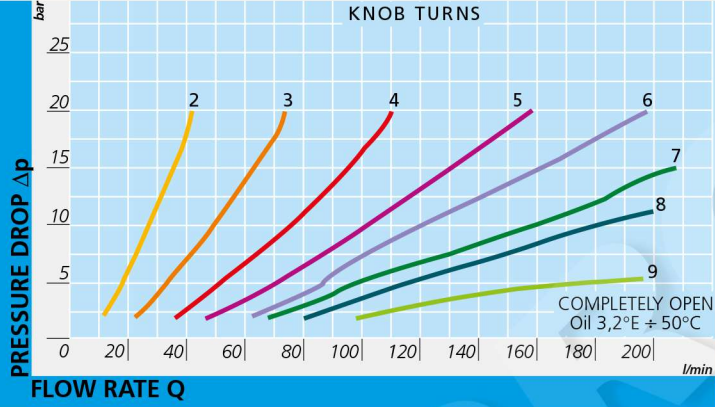
FT 257/2-100



FT 257/2-114



FT 257/2-112



FT 257/2-200

