

Part number:

**HYDROMA**

HYDRAULICKÉ SYSTÉMY

**HIDROMA  
SYSTEMS**

UKŁADY HYDRAULICZNE

**HYDROMA**

ГИДРАВЛИЧЕСКИЕ СИСТЕМЫ

## Single-acting flow/braking control valves with and without bleed air execution

### FT 243/5

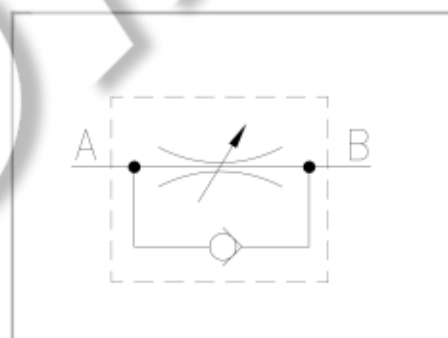
Single-acting flow control valves available from 1/4" to 3/4" size - METRIC THREADS. Max. working pressure 300 Bar, adjustable oil flow rate from 0,2 to 80 Lt./min. (depending on the size)

**Single-acting control**

**No pressure compensated flow control**

**METRIC threads**

**Carbon steel**



## Technical information

### Technical description

They are composed of a needle throttling, inside which there is a ball single-acting valve. They can be used in the assembling in manifolds and integrated blocks and are also used as cylinder braking valves. The model FT 243/5-S can be used also as air breather. By removing the cap nut it is possible to unscrew the needle and uncover the coaxial passage which allows the breather of the underlying chamber. Recommended filtration: 60 micron or inferior. Max. working pressure: 300 bar

### Materials

<b>CORPO / BODY</b>	<b>Acciaio legato/Alloy Steel</b>
<b>SPIILLO DI REGOLAZIONE / ADJUSTING NEEDLE</b>	<b>Acciaio/Steel 35 S Mn Pb 10-UNI EN 10083- AISI 303</b>
<b>GUARNIZIONI / GASKETS</b>	<b>Di serie NBR - A richiesta FPM/Standard NBR-on demand FPM</b>
<b>DADO / NUT</b>	<b>Acciaio/Steel 35 S Mn Pb 10-UNI EN 10083</b>
<b>ANELLI ANTIESTRUSIONE / ANTIEXTRUSION RINGS</b>	<b>PTFE</b>

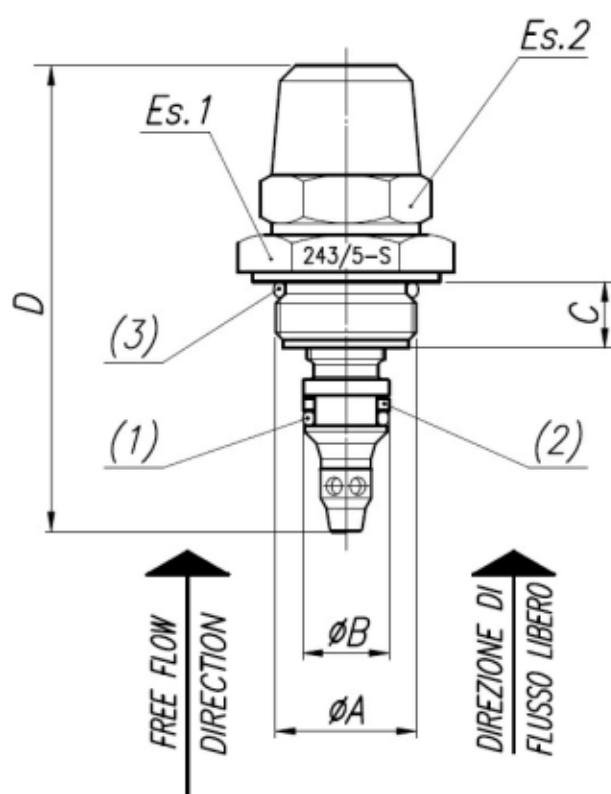
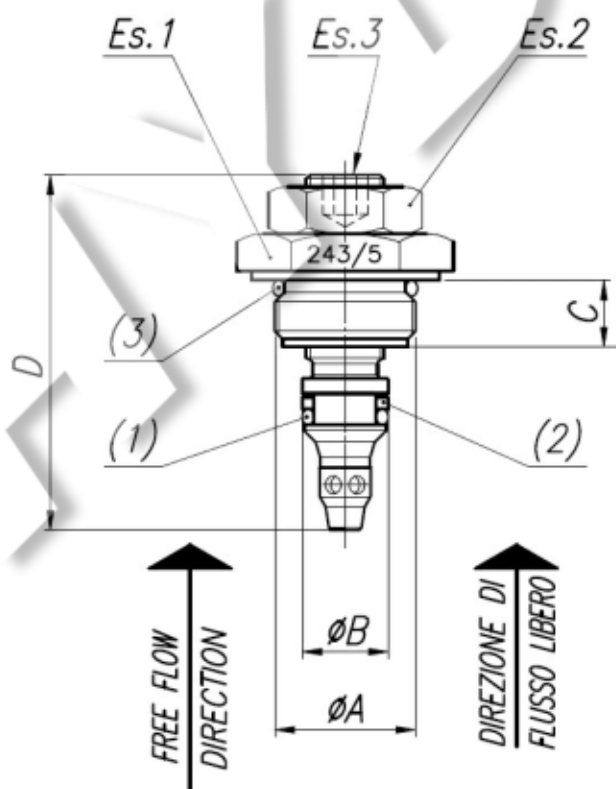
## Technical data

TIPO / TYPE	PRESSIONE ESERCIZIO BAR / WORKING PRESSURE BAR	MIN. PRESSIONE SCOPPIO BAR / MIN. BURSTING PRESSURE BAR	TEMPERATURA ESERCIZIO / WORKING TEMPERATURE	GRADO DI FILTRAZIONE $\mu\text{m}$ / FILTRATION GRADE $\mu\text{m}$
14	300	1300	-20°C/+100°C	25
38	300	1300	-20°C/+100°C	25
12	300	1300	-20°C/+100°C	25
34	300	1300	-20°C/+100°C	25

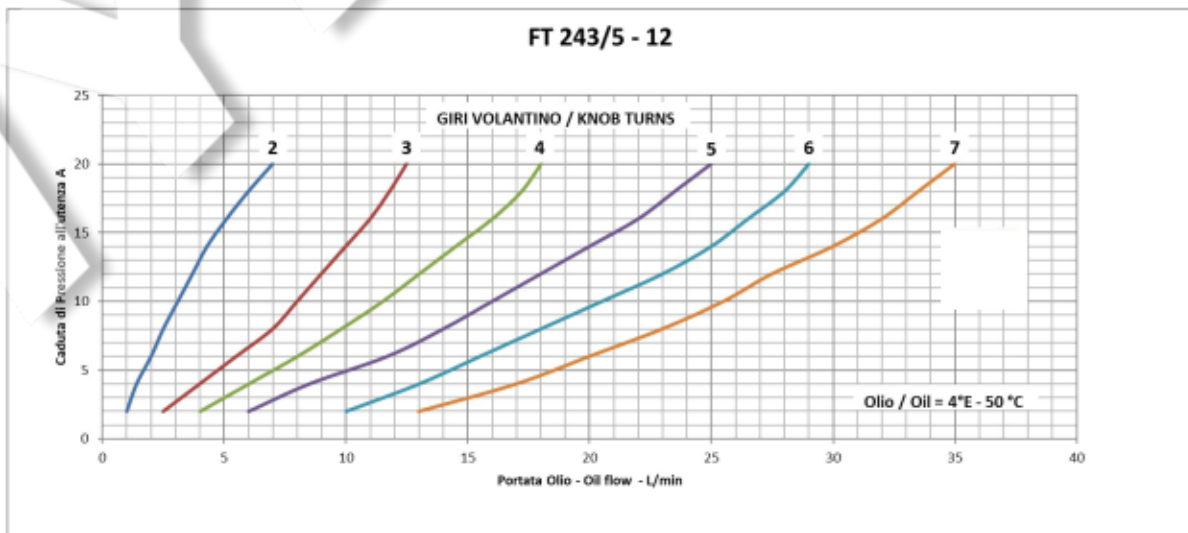
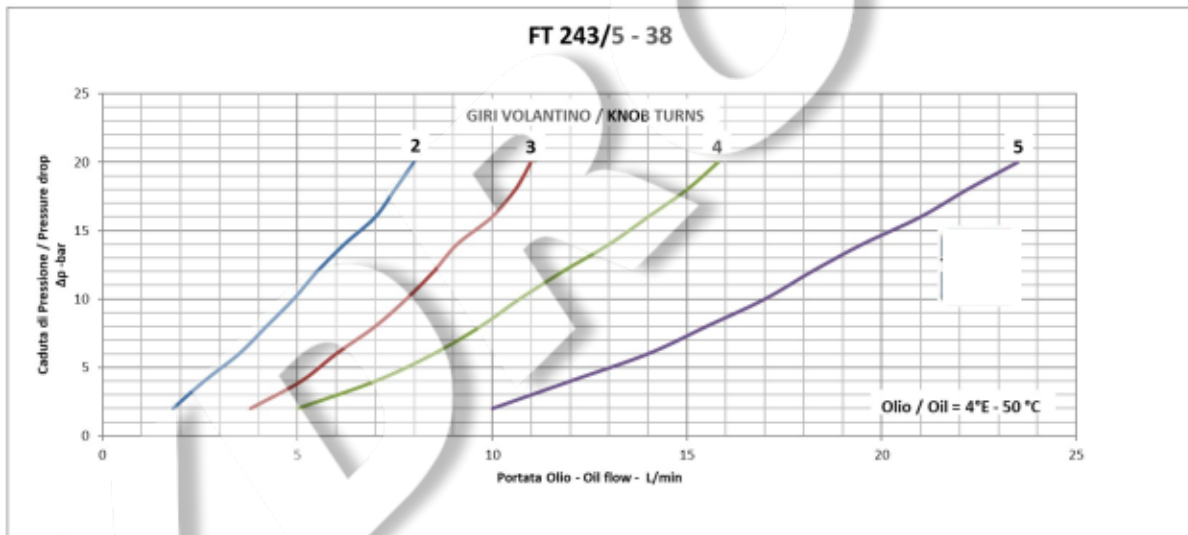
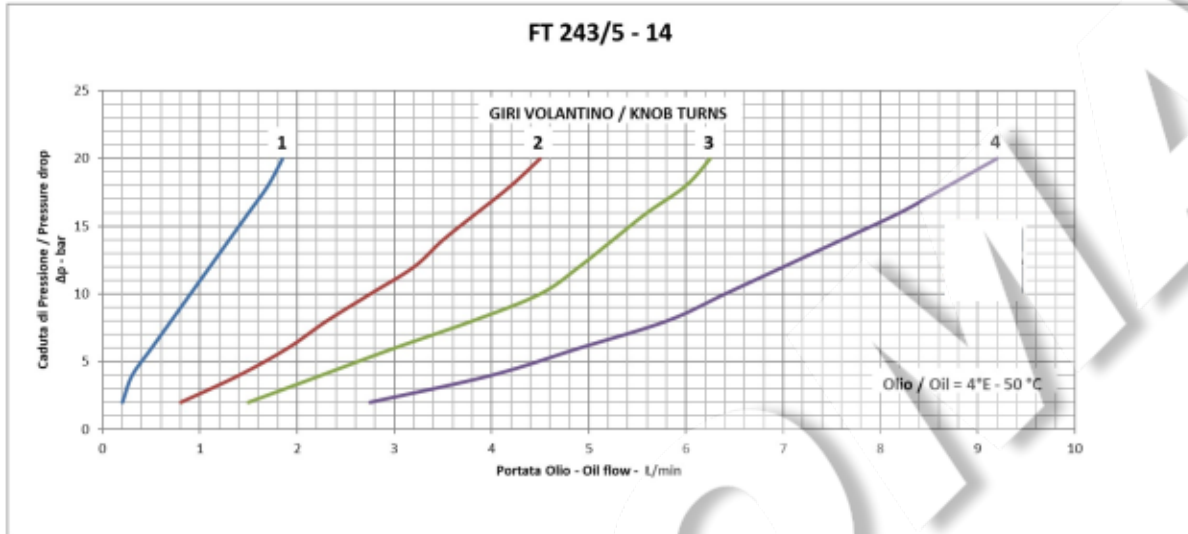
## Dimensional tables and drawings

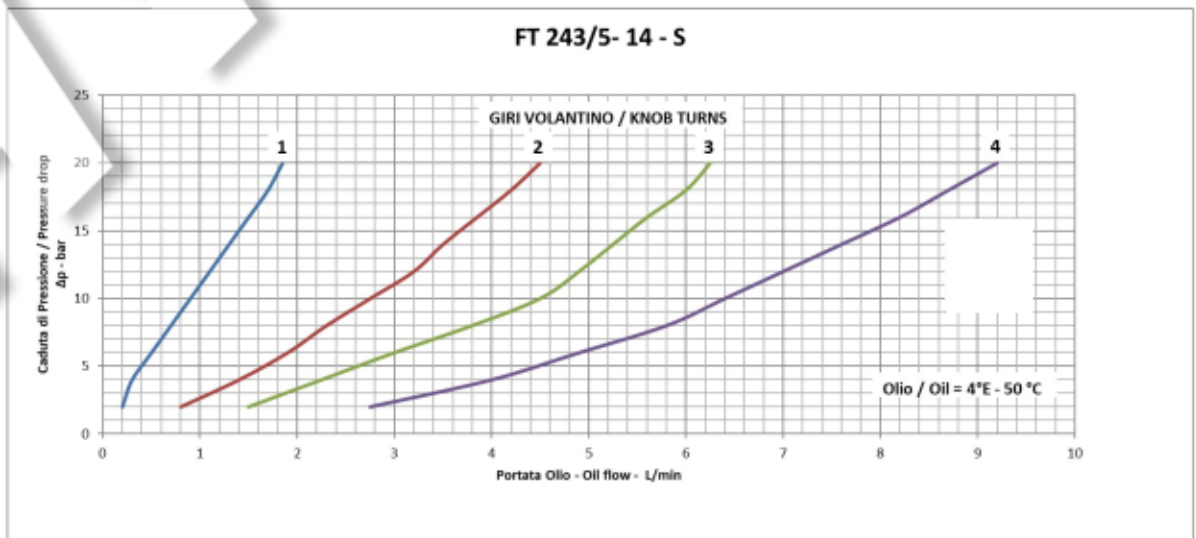
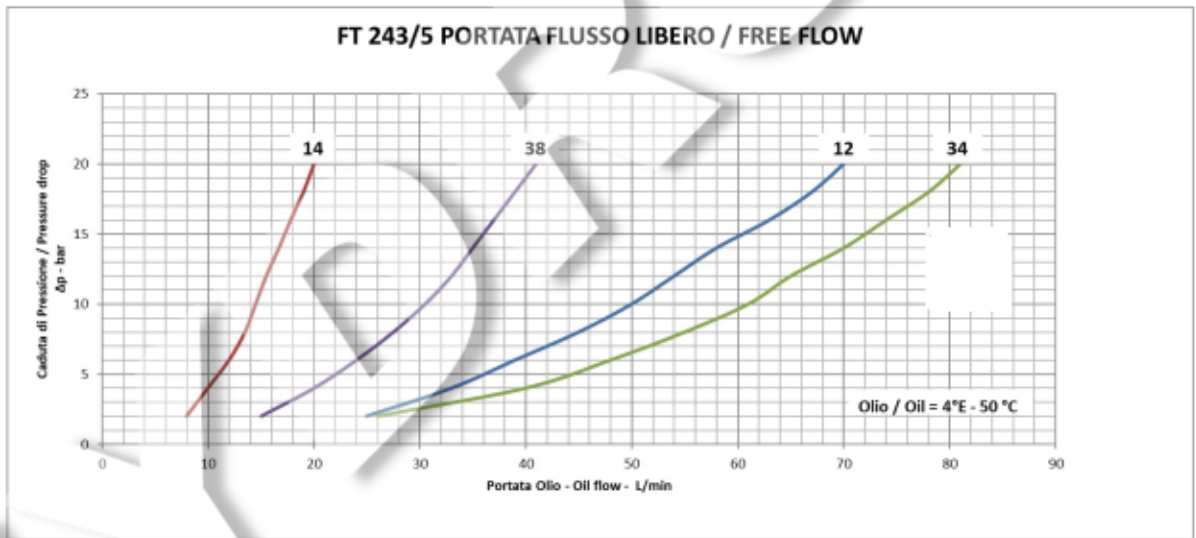
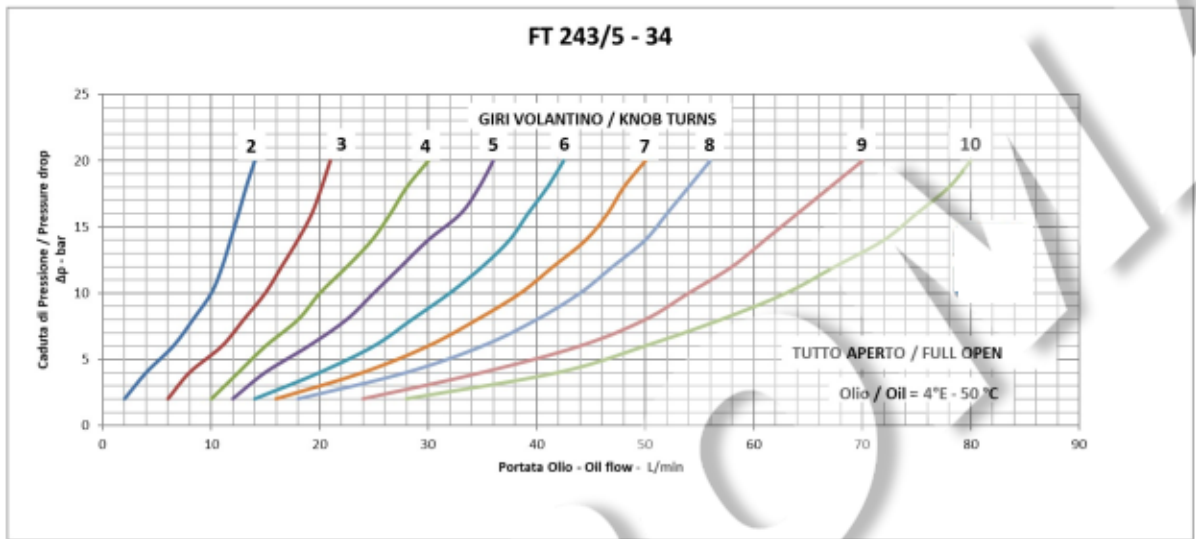
FT 243/5												
TIPO	$\phi A$	$\phi B$	C	D	Es. 1	Es. 2	Es. 3	(1) OR	(2) BK	(3) OR	PESO / WEIGHT KG	
14	M17x1	10	9	44,5	22	17	4	106	106	2056	0,046	
38	M18x1	11	9	45,5	24	17	5	2031	2031	2062	0,055	
12	M22x1,5	14	14	66,5	27	19	7	2043	2043	2075	0,107	
34	M27x1,5	18	18	82,0	32	22	9	2056	2056	3093	0,189	

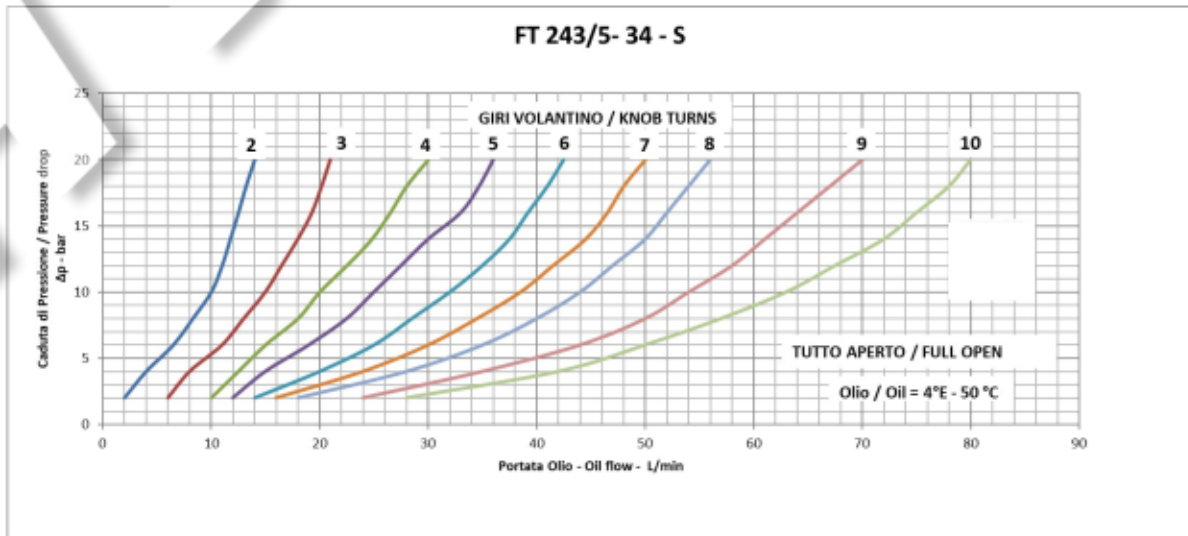
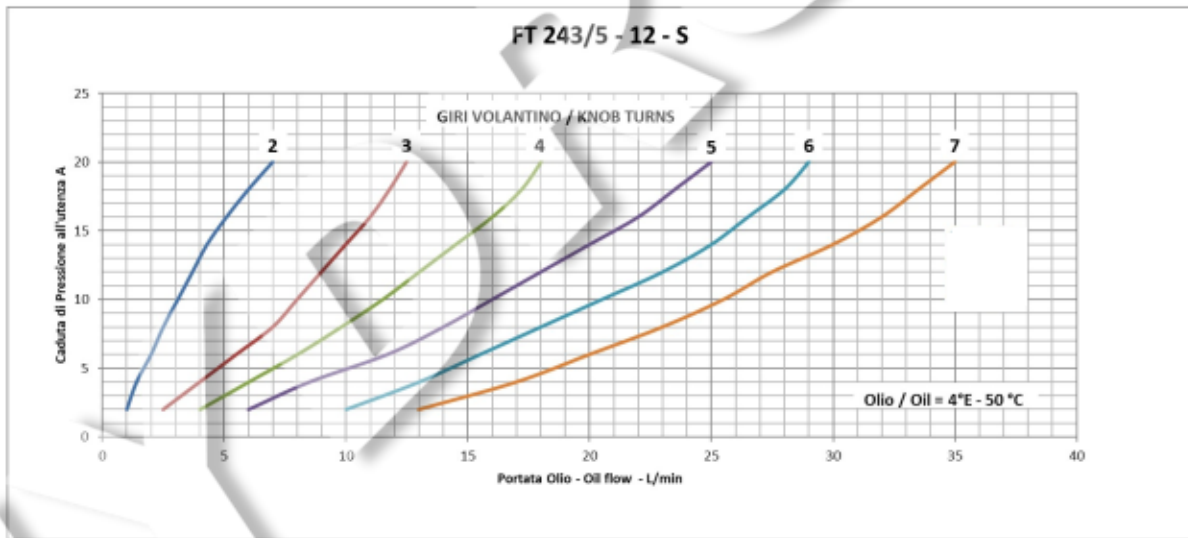
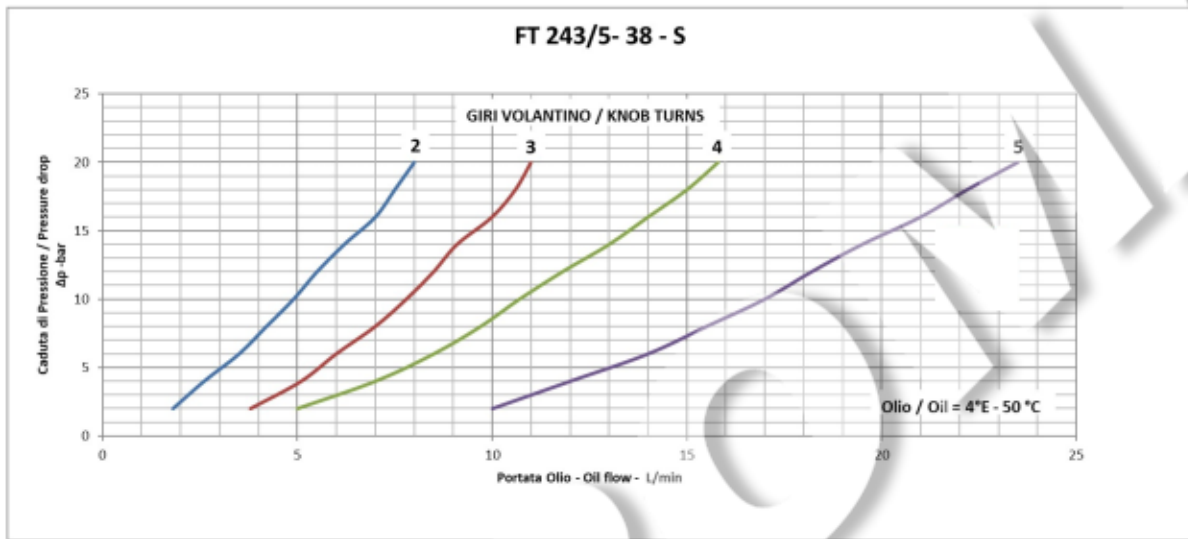
FT 243/5-S												
TIPO	$\phi A$	$\phi B$	C	D	Es. 1	Es. 2	Es. 3	(1) OR	(2) BK	(3) OR	PESO / WEIGHT KG	
14	M17x1	10	9	59	22	17	4	106	106	2056	0,046	
38	M18x1	11	9	59	24	17	5	2031	2031	2062	0,055	
12	M22x1,5	14	14	87	27	19	7	2043	2043	2075	0,107	
34	M27x1,5	18	18	106	32	22	9	2056	2056	3093	0,189	



## Flow rate curves







### FT 243/5-S - PORTATA FLUSSO LIBERO / FREE FLOW

