

Part number:

**HYDROMA**

HYDRAULICKÉ SYSTÉMY

**HIDROMA  
SYSTEMS**

UKŁADY HYDRAULICZNE

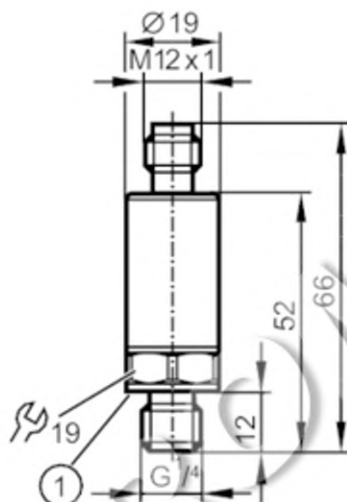
**HYDROMA**

ГИДРАВЛИЧЕСКИЕ СИСТЕМЫ

## PU8501

### Pressure transmitter

PU-250-SEG14-C-DVG/US



1 Sealing



#### Product characteristics

Number of inputs and outputs	Number of analogue outputs: 1		
Measuring range	0...250 bar	0...3625 psi	0...25 MPa
Process connection	threaded connection G 1/4 external thread (DIN EN ISO 1179-2)		

#### Application

Application	for mobile applications		
Media	liquids and gases		
Medium temperature [°C]	-40...125		
Min. bursting pressure	1200 bar	17400 psi	120 MPa
Pressure rating	625 bar	9060 psi	62.5 MPa
Note on pressure rating	static		
Vacuum resistance [mbar]	-1000		
Type of pressure	relative pressure		

#### Electrical data

Operating voltage [V]	8...32 DC		
Current consumption [mA]	< 12		
Min. insulation resistance [MΩ]	100; (500 V DC)		
Protection class	III		
Reverse polarity protection	yes		
Power-on delay time [s]	< 0.1		

#### Inputs / outputs

Number of inputs and outputs	Number of analogue outputs: 1		
------------------------------	-------------------------------	--	--

# PU8501

## Pressure transmitter

PU-250-SEG14-C-DVG/US

Outputs			
Total number of outputs		1	
Output signal		analogue signal	
Number of analogue outputs		1	
Analogue voltage output	[V]	0.5...4.5	
Min. load resistance	[Ω]	2000	
Short-circuit proof		yes	
Overload protection		yes	
Measuring/setting range			
Measuring range		0...250 bar	0...3625 psi
			0...25 MPa
Accuracy / deviations			
Repeatability	[% of the span]	< ± 0,05; (with temperature fluctuations < 10 K)	
Characteristics deviation	[% of the span]	< ± 0,8; (incl. drift when overtightened, zero point and span error, non-linearity, hysteresis)	
Linearity deviation	[% of the span]	< ± 0,25 (BFSL) / < ± 0,5 (LS)	
Hysteresis deviation	[% of the span]	< ± 0,2	
Long-term stability	[% of the span]	< ± 0,1; (per 6 months)	
Temperature coefficient zero point	[% of the span / 10 K]	< ± 0,1 (0...80 °C); < ± 0,2 (-40...0 °C / 80...125 °C)	
Temperature coefficient span	[% of the span / 10 K]	< ± 0,1 (0...80 °C); < ± 0,2 (-40...0 °C / 80...125 °C)	
Response times			
Step response time analogue output	[ms]	2	
Operating conditions			
Ambient temperature	[°C]	-40...100	
Storage temperature	[°C]	-40...100	
Protection		IP 67; IP 69K	
Tests / approvals			
EMC		compliant with UN ECE R10, rev. 5	
		ISO 11452-2	100 V/m
		DIN EN 61326-1	
Shock resistance		DIN EN 60068-2-27	500 g (1 ms)
Vibration resistance		DIN EN 60068-2-6	20 g (10...2000 Hz)
MTTF	[years]	658	
Pressure Equipment Directive		Sound engineering practice; can be used for group 2 fluids; group 1 fluids on request	

# PU8501

## Pressure transmitter

PU-250-SEG14-C-DVG/US

Mechanical data	
Weight [g]	58.5
Materials	1.4542 (17-4 PH / 630); stainless steel (1.4404 / 316L); PEI
Materials (wetted parts)	1.4542 (17-4 PH / 630)
Min. pressure cycles	60 million; (at 1.2 times nominal pressure)
Tightening torque [Nm]	25...35; (recommended tightening torque; depends on lubrication, seal and pressure rating)
Process connection	threaded connection G 1/4 external thread (DIN EN ISO 1179-2)
Process connection sealing	HNBR (DIN EN ISO 1179-2)
Restrictor element integrated	yes

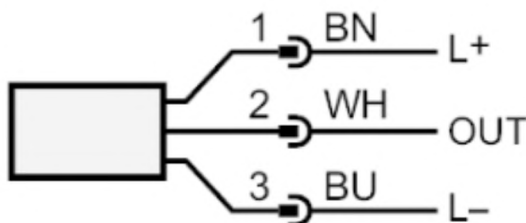
Remarks	
Remarks	BFSL = Best Fit Straight Line LS = limit value setting
Pack quantity	1 pcs.

### Electrical connection

Connector: 1 x M12; coding: A; Maximum cable length: 30 m



### Connection



OUT                    analogue output  
                         colours to DIN EN 60947-5-2  
                         Core colours :

BN =                    brown  
BU =                    blue  
WH =                    white