

Part number:

HYDROMA

HYDRAULICKÉ SYSTÉMY

**HIDROMA
SYSTEMS**

UKŁADY HYDRAULICZNE

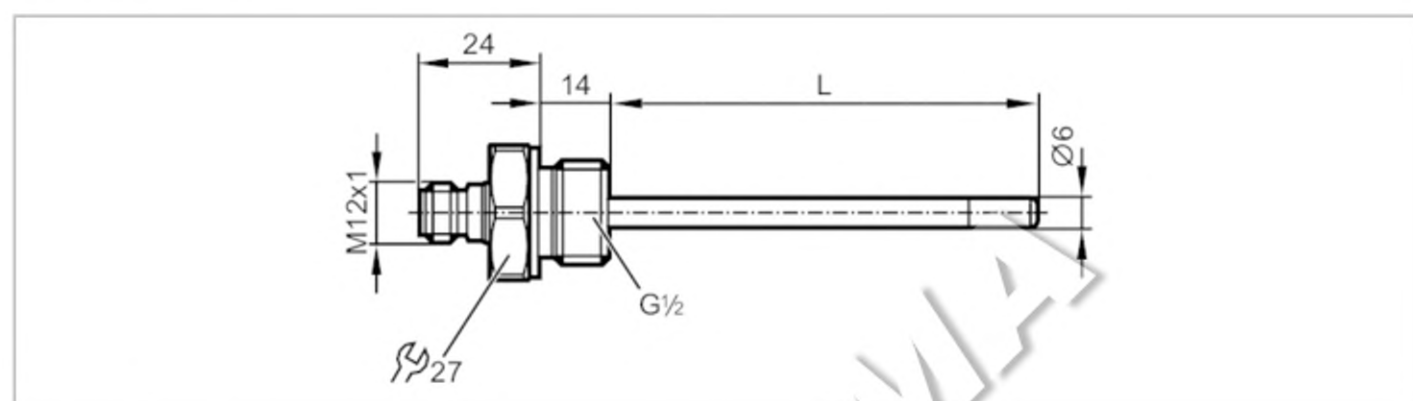
HYDROMA

ГИДРАВЛИЧЕСКИЕ СИСТЕМЫ

TM4461

Temperature sensor with process connection

TM-250KFBR12- /US/



Product characteristics

Measuring range	-40...150 °C	-40...302 °F
Process connection	threaded connection G 1/2	
Installation length EL [mm]	250	

Application

Special feature	Gold-plated contacts	
Measuring element	1 x Pt 100; (to DIN EN 60751, class A)	
Media	liquids and gases	
Pressure rating [bar]	160	
Minimum installation depth [mm]	15	

Electrical data

Protection class	III	
------------------	-----	--

Measuring/setting range

Probe length L [mm]	236	
Measuring range	-40...150 °C	-40...302 °F

Accuracy / deviations

Accuracy [K]	± (0,15 K + 0,002 x t)	
--------------	-------------------------	--

Response times

Dynamic response T05 / T09 [s]	1 / 3; (to DIN EN 60751)	
--------------------------------	--------------------------	--

Operating conditions

Ambient temperature [°C]	-25...80	
Storage temperature [°C]	-40...100	
Protection	IP 68; IP 69K	

Tests / approvals

Shock resistance	DIN EN 60068-2-2-27	50 g (11 ms)
Vibration resistance	DIN EN 60068-2-6	5 g (10...2000 Hz)
MTTF [years]	22831	

TM4461

Temperature sensor with process connection

TM-250KFBR12- /US/

Mechanical data		
Weight	[g]	198
Materials		stainless steel (1.4404 / 316L)
Materials (wetted parts)		stainless steel (1.4404 / 316L); FKM
Tightening torque	[Nm]	45
Process connection		threaded connection G 1/2
Probe diameter	[mm]	6
Installation length EL	[mm]	250

Remarks	
Remarks	operating voltage "supply class 2" according to cULus The values for accuracy apply to flowing water.
Pack quantity	1 pcs.

Electrical connection

Connector: 1 x M12; coding: A; Contacts: gold-plated



Connection

