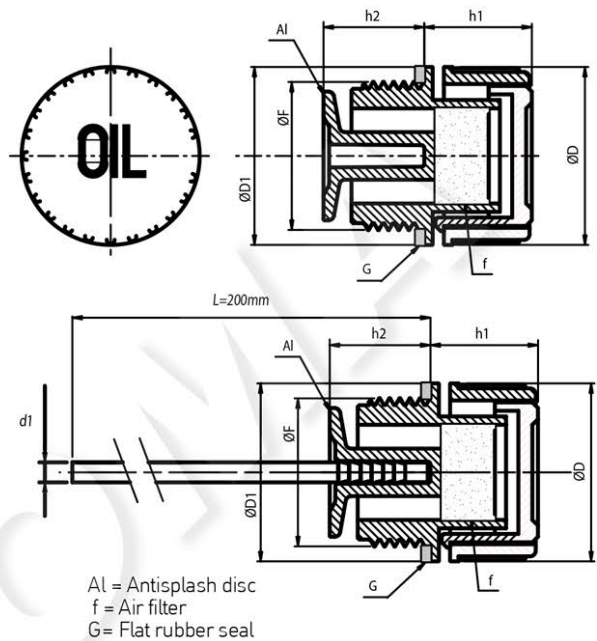


Part number:

TCSZF - KNURLED OIL FILL PLUGS WITH BREATHER AND ANTI-SPLASH DISC

TCSZF+A - KNURLED OIL FILL PLUGS WITH BREATHER, DIPSTICK, ANTISPLASH DISC AND FILTER



plugs, breathers and dipsticks

-Threaded plugs with knurled head made from thermoplastic material (Polyamide 66), black color.

-**Max operating temperature 100°C.**

-Flat rubber NBR seal.

-The plugs have the word 'OIL' molded into the top; the incorporated anti-splash disc, positioned under the thread, will reduce spillage when heavy oil movement in a reservoir or gearbox takes place.

-The polyurethane foam filter element (40 microns)

prevents contamination from the ambient atmosphere polluting the oil.

-Airflow capacity (P) indicated in the table expressed in liters/minute using a tank pressure of 50 mbar (0.73 psi).

-Model **TCSZF+A**, with steel level dipstick with zinc phosphate surface (cylindrical section), standard length mm. 200, on quantities of a least 250 pcs they can be manufactured to the customers specific length and MIN-MAX notches can be placed in the desired position.

	Code	F	D	D1	h1	h2	P
TCSZF/14	TCSZF/14+A	G 1/4"	21,5	21	16	11	40
TCSZF/38	TCSZF/38+A	G 3/8"	21,5	22,5	16	13	60
TCSZF/12	TCSZF/12+A	G 1/2"	24	25	11,50	14	100
TCSZF/34	TCSZF/34+A	G 3/4"	31	32	19	13,5	78
TCSZF/1	TCSZF/1+A	G 1"	38	39	16	19,5	330
TCSZF/114		G 1 1/4"	48		12	18	33 *
TCSZF/14.15	TCSZF/14.15+A	M14x1,5	21,5	21	16	11	40

* Model G 1 1/4" version with breather hole 3 mm