

Insert type

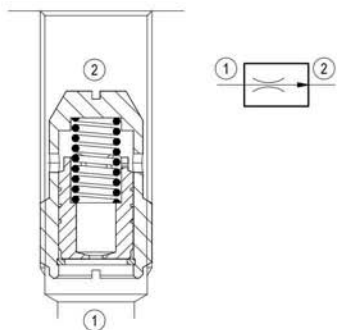
Flow control, 2-way pressure compensated fixed setting



2

SFC1

OT.F1.01.00 - Y - Z



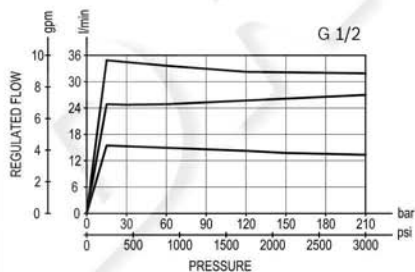
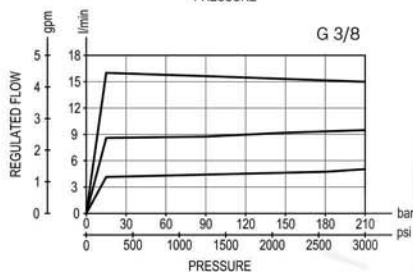
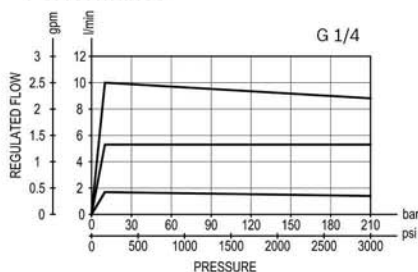
Description

A constant flow rate, regardless of system pressures, is established from 1 to 2 while a minimum pressure differential of 145 psi exists between the two ports. The valve cannot be adjusted for variable flow output. Flow from 2 to 1 is limited by the diameter of the selected control orifice and is not pressure compensated.

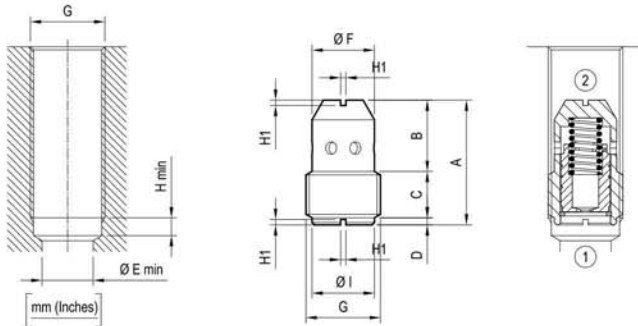
Technical data

Max. operating pressure	bar (psi)	210 (3000)
Max. flow	l/min. (gpm)	see "Regulated flow range" table
Fluid temperature range	°C (°F)	-30 to 100 (-22 to 212)
Weight	kg (lbs)	see "Dimensions" table
Special cavity		see "Dimensions"
Fluids		Mineral-based or synthetics with lubricating properties at viscosities of 10 to 500 mm ² /s (cSt)
Filtration		Nominal value max. 10µm (NAS 8) ISO 4406 19/17/14
Installation		No restrictions
Other Technical Data		See data sheet RE 18350-50

Performance



Dimensions



G	A	B	C	D	E	F	I	H	H1	Weight kg (lbs)	Flow max. l/min. (gpm)
G 1/4	25.5 (1)	13.5 (0.53)	8.5 (0.34)	3 (0.12)	8 (0.32)	10 (0.39)	11 (0.43)	5 (0.2)	1.5 (0.6)	0.011 (0.024)	10 (3)
G 3/8	28 (1.1)	15 (0.59)	10.5 (0.41)	2 (0.08)	11 (0.43)	14 (0.55)	14.5 (0.57)	5 (0.2)	1.5 (0.6)	0.024 (0.053)	16 (4)
G 1/2	35 (1.38)	19.5 (0.77)	13 (0.52)	2 (0.08)	14 (0.55)	17.5 (0.69)	17.5 (0.69)	5 (0.2)	1.5 (0.6)	0.048 (0.106)	40 (11)

Ordering code

OT.F1.01.00	Y	Z	*
-------------	---	---	---

Note: available also as "Sleeve valve for line mounting"
See data sheets RE 18316-12 and RE 18316-13

Series O/A to L
unchanged performances and dimensions

Insert type - Flow control,
2-way pressure compensated
fixed setting

Port sizes

= 09 G 1/4

= 02 G 3/8

= 03 G 1/2

		Regulated flow range l/min. (gpm)									
		= 01	= 02	= 03	= 04	= 05	= 06	= 07	= 08	= 09	= 10
for	Y=09	1 (0.3) ± 20%	2 (0.5) ± 20%	3 (0.8) ± 20%	4 (1.1) ± 15%	5 (1.3) ± 15%	6 (1.6) ± 15%	7 (1.9) ± 15%	8 (2.1) ± 15%	9 (2.4) ± 15%	10 (2.6) ± 15%
for	Y=02	4 (1.1) ± 15%	5 (1.3) ± 15%	6 (1.6) ± 15%	8 (2.1) ± 15%	10 (2.6) ± 15%	12 (3.2) ± 15%	14 (3.7) ± 10%	16 (4.2) ± 10%	-	-
for	Y=03	12 (3.2) ± 15%	16 (4.2) ± 10%	20 (5.3) ± 10%	25 (6.6) ± 10%	30 (7.9) ± 10%	35 (9.3) ± 10%	40 (10.6) ± 10%	-	-	-

Type	Material number
OTF101000201000	R931002311
OTF101000202000	R931002312
OTF101000203000	R931002313
OTF101000204000	R931002314
OTF101000205000	R931000009
OTF101000206000	R931002315
OTF101000207000	R931002316
OTF101000208000	R931002317
OTF101000301000	R931002318
OTF101000302000	R931002319
OTF101000303000	R931002320
OTF101000304000	R931002321
OTF101000305000	R931002322

Type	Material number
OTF101000306000	R931002063
OTF101000307000	R931001404
OTF101000901000	R931002304
OTF101000902000	R931000010
OTF101000903000	R931000272
OTF101000904000	R931002305
OTF101000905000	R931002306
OTF101000906000	R931000011
OTF101000907000	R931002307
OTF101000908000	R931002308
OTF101000909000	R931002309
OTF101000910000	R931002310