

Part number:

HYDROMA

HYDRAULICKÉ SYSTÉMY

**HIDROMA
SYSTEMS**

UKŁADY HYDRAULICZNE

HYDROMA

ГИДРАВЛИЧЕСКИЕ СИСТЕМЫ

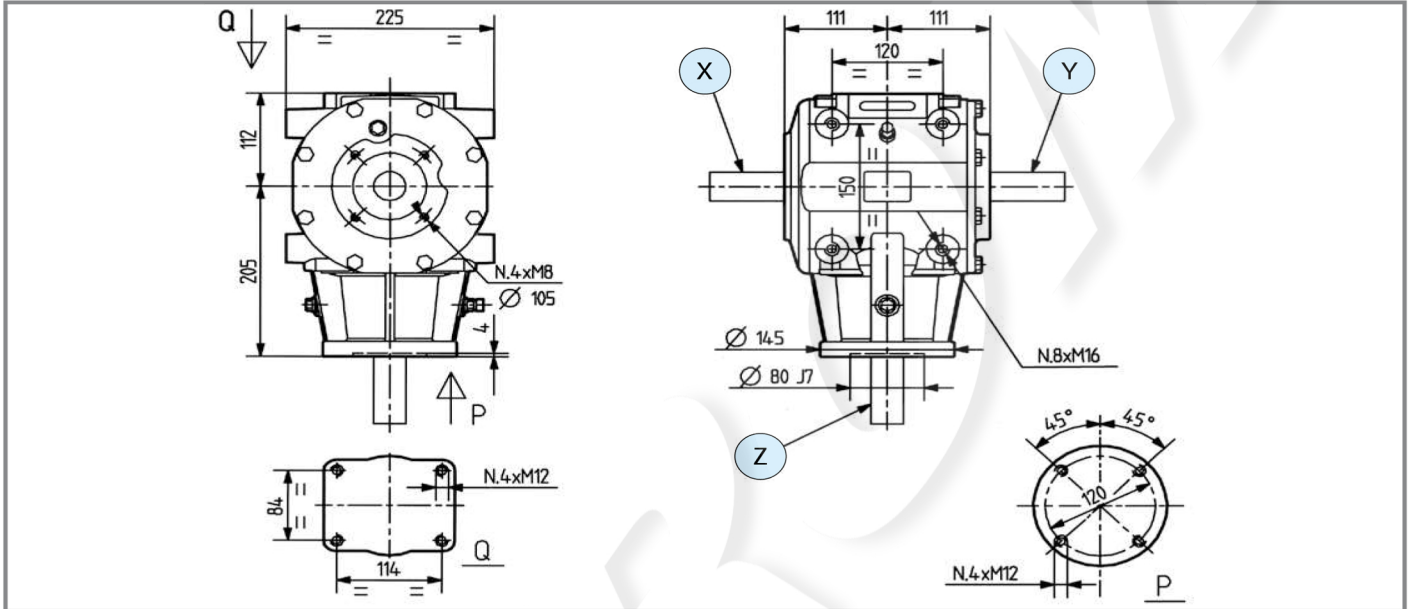
T-290A

Code **290**



[kg]	31	[l]	2.3
------	----	-----	-----

Per configurazioni non a catalogo contattare Servizio Tecnico-Commerciale
For non-catalog configurations contact Technical-Commercial Service



1 - Ruota libera / Free wheel

i	N ₁ [rpm]	P ₁ [kW]	M ₂ [Nm]	Shaft type			Input	Option	Code	Mounting		
				X	Y	Z						
M →	3.00	540	57.3	328				Y	-	9.290.023		std
	3.00	540	57.3	983		-		X	1	9.290.704		std
	3.00	540	57.3	983				X	-	9.290.709		std
	2.42	540	58.8	417				Y	-	9.290.021		std
	1.86	540	62.5	576				Y	-	9.290.007		std
	1.86	540	62.5	576		-		X	-	9.290.008		std
	1.62	540	65	688				X	-	9.290.706		std
1.47	540	69.8	815				Y	-	9.290.017		special	
- →	1.00	540	66.2	1135		-		Z	-	9.290.024		std
	1.00	540	66.2	1135		-		Z	-	9.290.025		std

T-290A

Code 290



(0.01)



	i	N ₁ [rpm]	P ₁ [kW]	M ₂ [Nm]	Shaft type			Input	Option	Code	Mounting	
					X	Y	Z					
-	1.00	540	66.2	1135				Z	-	9.290.026		std
R	1.47	540	62.5	1576				Z	-	9.290.017		special
	1.62	540	60.0	1667				Z	-	9.290.706		std
	1.86	540	55.1	1758				Z	-	9.290.007		std
	1.86	540	55.1	1758		-		Z	-	9.290.008		std
	2.07	540	51.5	1828				Z	-	9.290.009		special
	2.42	540	41.9	1739				Z	-	9.290.021		std
	3.00	540	33	1698				Z	-	9.290.023		std