

Part number:

**HYDROMA**


HYDRAULICKÉ SYSTÉMY

**HIDROMA**  
SYSTEMS

UKŁADY HYDRAULICZNE

**HYDROMA**

ГИДРАВЛИЧЕСКИЕ СИСТЕМЫ

**Warning !**  
Sections of driveline marked  are not shielded and must be shielded by an interactive guarding system.  
COMER spa declines responsibility if proper guards are not provided or maintained.

**Notes:**  
 CERTIFIED

End fittings		Max. torque
Tractor	Cod: C12	-
Implement	Cod: 112	-

Series:	T
Type:	10
Code:	07.125.018.10
Description:	T100610ENC12112
Customer's code:	-
Colour:	Yellow

Last drawing	
Index: -	Date: -

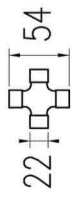

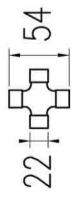

Application	
-	

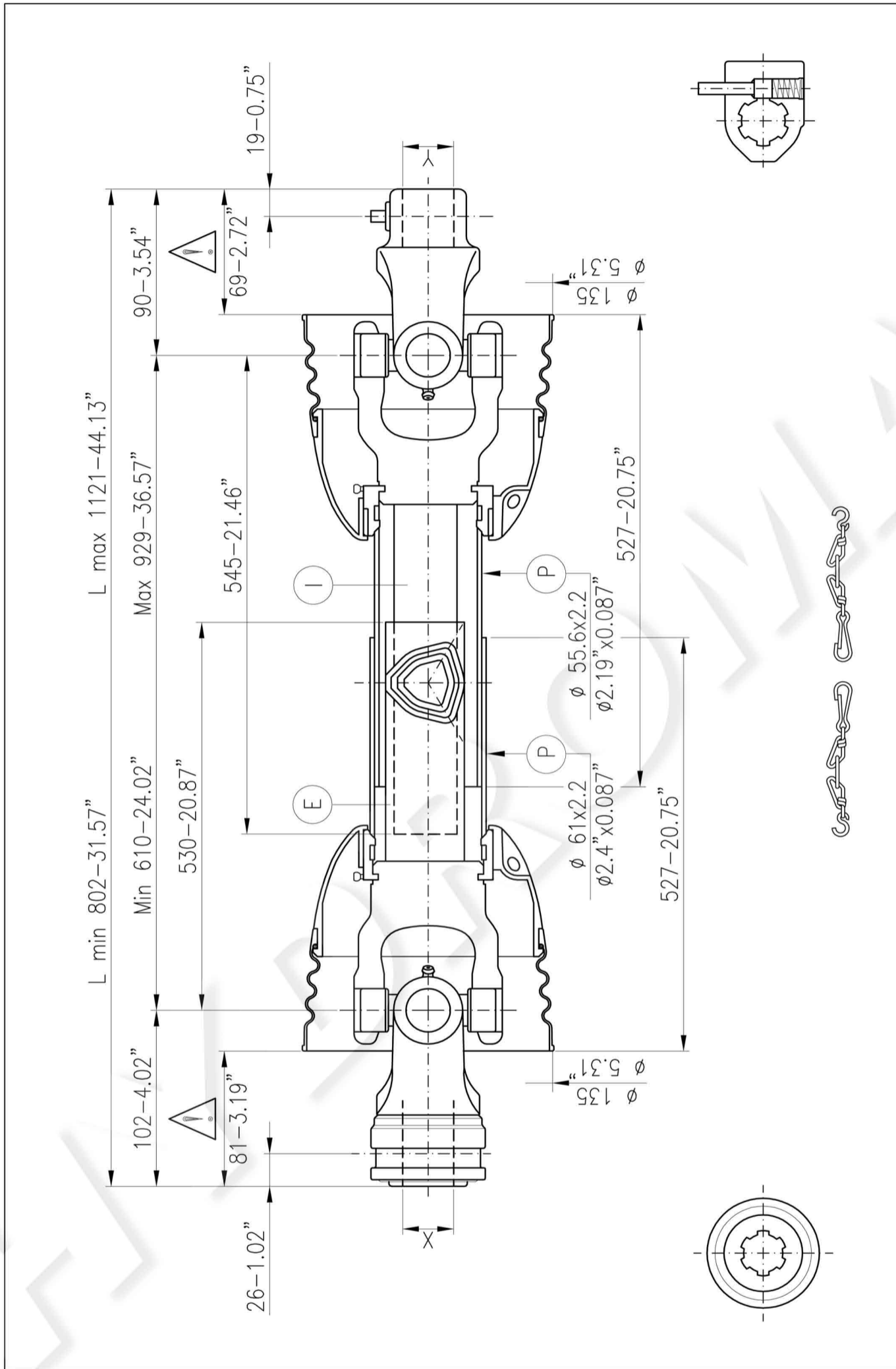
Driveline data	
X	1 3/8" Z6 DIN 9611
Y	1 3/8" Z6 DIN 9611
E	490-19.29"
I	505-19.88"
P	420-16.54"

Overlap	
Steel tubes	Guard
Max.	465-18.31" 400-15.75"
Min.	146-5.75" 81-3.19"

Greasing point	
1)	-
2)	-

The dimensioning is cross to cross

Cross and tubes	
	
22 	
54	32.5x2.6
	26.5x3.5



Customer:	
Date: 24-01-05	

Data for only critical velocity	
540 r.p.m.	1000 r.p.m.
Max.	Max.
L max.	L max.
Checked: Signed by: T.M.	

Data 540 r.p.m.		Data 1000 r.p.m.		Data 1100 min. <sup>-1</sup> r.p.m. max.	
KW	CV	Nm.	in.lb.	KW	CV
12	16	210	1850	18	25
				172	1500
Continuous operation data and conditions, working angle 5°, average life 1000 hours					