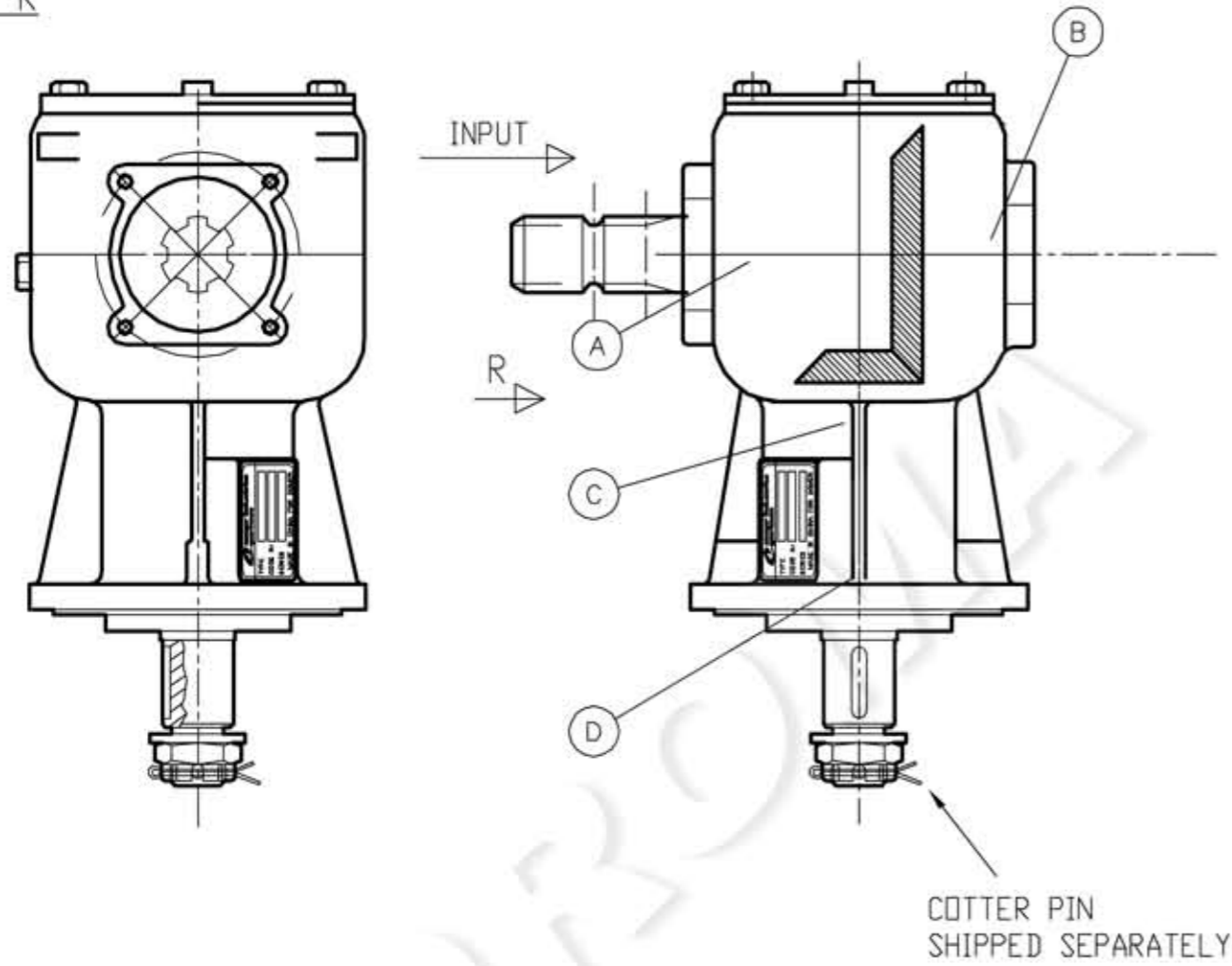


RIF.		INDEX	COM. N°
		01	009.277
RATIO	FIG. MONT.	COD.LETT.	CODE
1:2.83	21	LF-211 J	9.211.803.00
		COD.NUM.	
		211	

VIEW R



NOTE DI MONTAGGIO

- GIOCO DI INGRANAMENTO
- GIOCO ASSIALE DI U.
- PRECARICO ASSE DI U.
- GRASSO AL BISOLFURO DI MOLIBDENO
- PARTICOLARI SMONTATI COD. A.108.012
- NEBULIZZARE ALL' INTERNO DELLA SCATOLA CON "NUCLEOIL 10" COME ULTIMA OPERAZIONE, POI CHIUDERE CON TAPPO IN POS. -7-.
- IL CAPPELLOTTINO IN POS. "B" DEVE ESSERE MONTATO PARI AL PIANO DELLA SCATOLA
- IN POSIZIONE "25" MONTARE UN SOLO SPESSORE ( SPESSORE UNICO)

ASSEMBLY NOTES

- GEARS BACKLASH
- INPUT SHAFT AXIAL CLEARANCE
- OUTPUT SHAFT BEARINGS PRELOAD
- BISULPHIDE MOLYBDENUM GREASE
- NOT ASSEMBLED PARTS COD. A.108.012
- SPRAY "NUCLEOIL 10" INSIDE THE HOUSING AS LAST OPERATION, THEN CLOSE THE PLUG IN POS. -7-.
- THE OIL CAP IN POS. "B" MUST BE ASSEMBLED ON THE SAME LEVEL WITH THE PLANE CASING.
- IN POSITION "25" ASSEMBLY ONLY ONE SHIM ( UNIQUE SHIM)

0.10 ÷ 0.27 mm

0 ÷ 0.2 mm

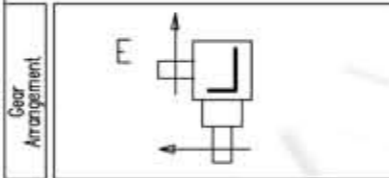
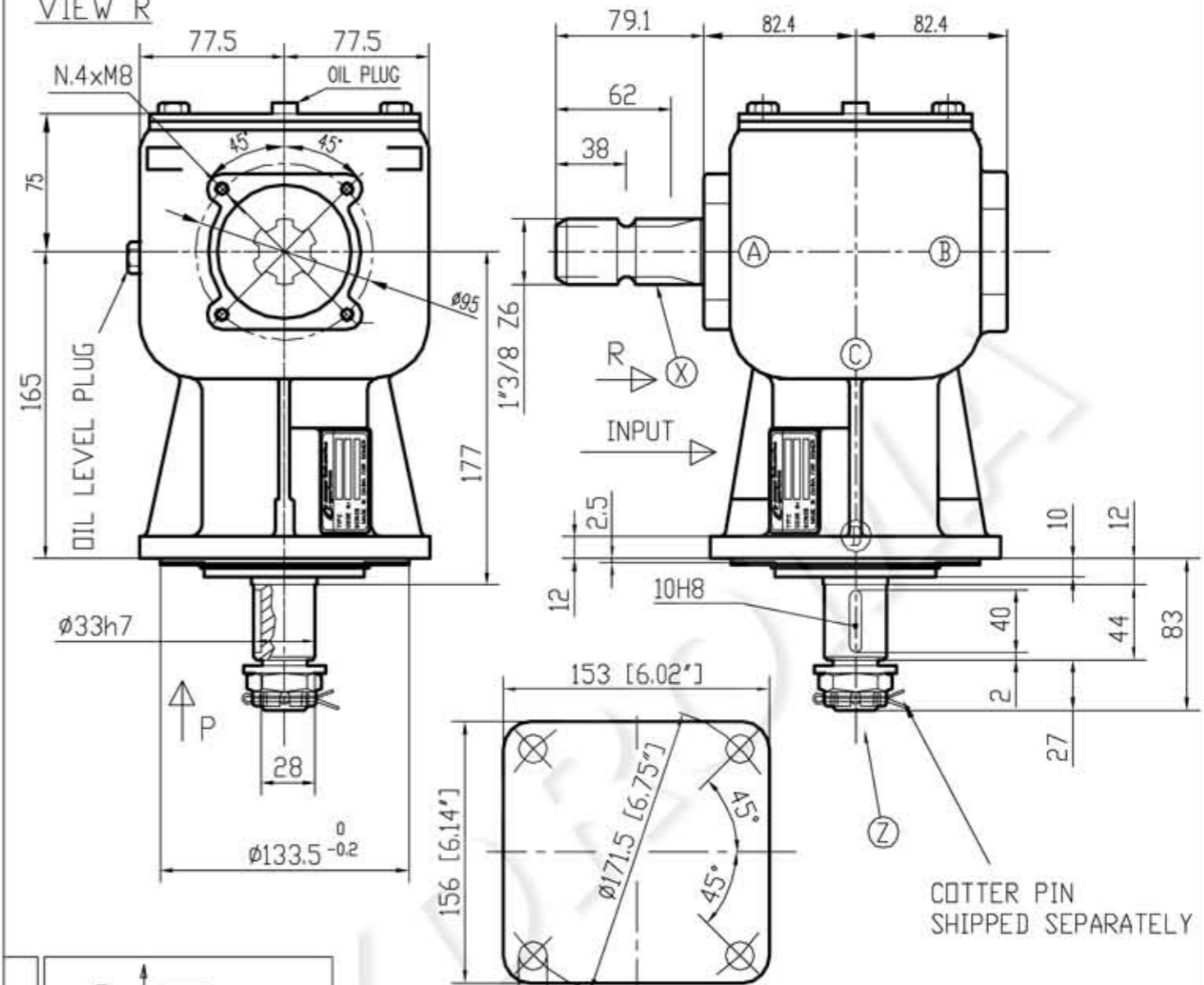
0 ÷ 3 kgcm  
POS. -15-

SPESS. TEORICA IN:

- (A) 0.9 mm. (C) 0.8 mm.
- (B) 0.9 mm. (D) 0.8 mm.

REF.	DESIGNATION	LF - 211 J
DATE	17/jan/03	CODE
		9.211.803.00
INDEX	COM. N°	
01	009.277	

VIEW R



SPEED INCREASING UNIT	Ratio		Rated Input		Rated Input Power		Rated Output torque	Weight	Oil Type	Lubricant	Grease Quantity	
	1 : 2.83		r.p.m.	C V	KW.	da Nm	Kg	SAE.90EP		Quantity Kg		
Helicoid	Bevel Couplings				Cylindrical Couplings				Bearings			
	Teeth Number		Module		Teeth Number		Module		A	6007		
Straight	Z 1	Z 2	Z 3	Z 4	m	Z 1	Z 2	Z 3	Z 4	m	B	6207
	X 12	34			3.36						C	6207
Components Material												
Casing		Shaft X		Shaft Z		Bevel Gear		Spur Gear				
ASTM 60-40-18		AISI 1040		AISI 3120		AISI 3120						
D												
E												
F												
G												
H												

RIF.		INDEX	COM. N°
		01	009.277
RATIO	FIG. MONT.	COD.LETT.	CODE
1:2.83	21	LF-211 J	9.211.803.00
POS.	DRG. Nr.	PCS.	DESCRIPTION
1	0.141.2100.00	1	INPUT SHAFT 1 3/8" Z6
2	8.7.0.00744	1	OIL CAP (72x10 )
3	8.0.1.00870	3	BALL BEARING 6207 (35x72x17)
4	0.259.7500.00	1	SHIM KIT (35.3X48)
5	8.4.1.00993	1	PARALLEL KEY B 10X8X30
6	0.133.5000.00	1	CROWN GEAR Z34 M3.36
7	8.6.5.00006	2	3/8" GAS SOLID PLUG
8	8.5.2.00648	1	SNAP RING (62x65x3, for Holes )
9	0.113.7500.00	1	SHIM KIT (55.3x61.7 )
10	8.1.1.00054	4	BOLT M10X20 HHB (8.8)
11	0.205.1300.00	1	COVER
12	8.0.1.00000	1	BALL BEARING 6007 (35x62x14 )
13	0.141.6002.00	1	OUTPUT SHAFT
14	0.141.7100.00	1	SPACER 64X70X59.7
15	8.7.1.00152	1	DOUBLE LIP SEAL 35X72X10
16	8.5.3.00915	1	SNAP RING SB 72
17	8.2.2.01144	1	CASTLE NUT M24X2 PR80B
18	8.3.2.00409	1	FLAT WASHER 25X44X4
19	8.5.1.00005	1	SNAP RING (33x35x1.5 for Shaft)
20	8.5.2.00131	2	SNAP RING (72x75x2.5 for Holes )
21	0.211.0300.00	1	CASING
22	0.124.7135.00	1	PLATE
23	0.248.7500.00	1	SHIM KIT (60.3x71.7)
24	8.7.3.01259	1	OIL SEAL (35x62x7)
25	0.259.7500.00	1	SHIM KIT (35.3X48)
26	0.211.7100.00	1	SPACER

A.108.012			
POS.	DRG. Nr.	PCS.	DESCRIPTION
251	8.4.7.00516	1	COTTER PIN B5X50

REF.	DESIGNATION
	LF-211 J
DATE	CODE
17/jan/03	211.803.00
INDEX	COM. N°
01	009.277

