

Part number:

006-10356

HYDROMA

HYDRAULICKÉ SYSTÉMY

**HIDROMA
SISTEMS**

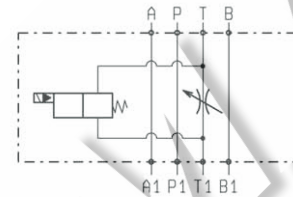
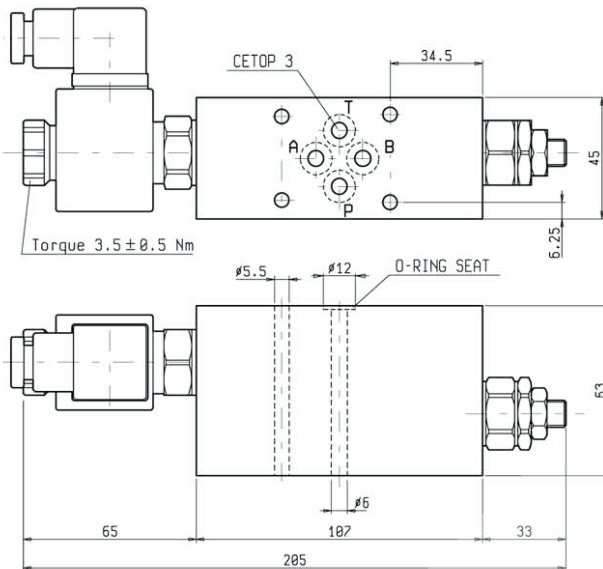
UKŁADY HYDRAULICZNE

HYDROMA

ГИДРАВЛИЧЕСКИЕ СИСТЕМЫ

**SANDWICH VALVES
MODULES WITH SOLENOID VALVE AND FLOW RESTRICTOR**

EM-VEI8A-ST-CETOP 3-T



DESCRIPTION - OPERATION

These modules include one two-way solenoid operated cartridge valve VEI-8A-06 and one flow restrictor ST-C-06 (see page 3.11.01); they can be sandwich-mounted on CETOP 3 (size 6) flanges.

FEATURES - RATINGS

Maximum Operating Pressure 250 bar

Rated Flow 40 l/min

- See cartridge data sheets for curves, features and functional details.
- Manifolds in high-strength aluminum for working pressures up to 250 bar.
- Special steel manifolds can be supplied upon request for working pressures up to 350 bar and for fatigue cycle applications with any working pressure.
- **IMPORTANT** : All products shown in this page are not available from stock and not included in our standard price list. Please contact our Sales Department for any information.

ORDERING CODE AND OPTIONS

OP.60 - K - X - 29 - Y

K	Same as cartridge code
----------	------------------------

CARTRIDGES TO BE INSERTED

OD.15.01.18. - Y - 00
OD.15.02.18. - Y - 00

Y	MANUAL OVERRIDE OPTIONS	
	K = 01	K = 02
17	/	No Override
18	/	Push Style
19	/	Push and Twist Style
37	No Override	/
47	Knob Style	/

X	ADJUSTMENTS	
03	leakproof hex. socket screw	
04	handknob and locknut	