

Part number:

HYDROMA
HYDRAULICKÉ SYSTÉMY

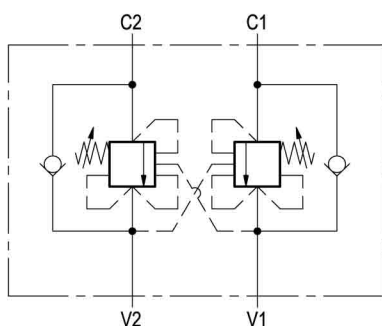
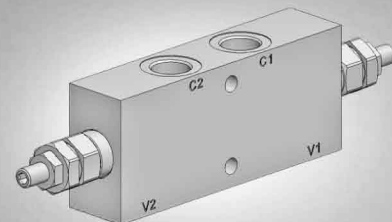
HIDROMA
SISTEMS
UKŁADY HYDRAULICZNE

HYDROMA
ГИДРАВЛИЧЕСКИЕ СИСТЕМЫ

Dual counterbalance, relief compensated

A-VBSO-DE-CC-30

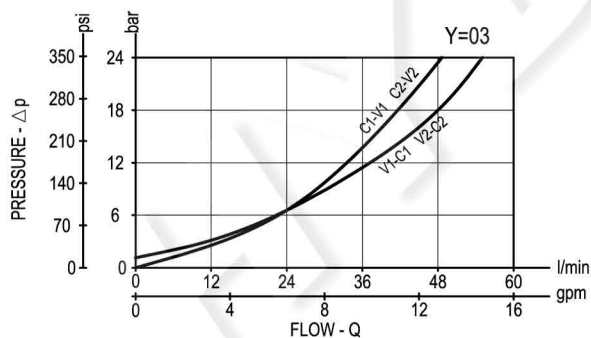
08.44.04 - X - Y - Z



Description

It provides static and dynamic control of load by regulating the flow IN and OUT of the actuator, through ports C1 and C2. This valve module includes 2 sections, each one composed by a check and a relief valve with balanced piston, pilot assisted by pressure in the opposite line: the check section allows free flow into the actuator, then holds the load against reverse movement; with pilot pressure applied at the line across, the pressure setting of the relief is reduced in proportion to the stated ratio until opening and allowing controlled reverse flow. Relief operates at the valve setting independent of back-pressure, but the piloted opening remains subject to additive pressure at V1 or V2.

Performance



Technical data

Hydraulic

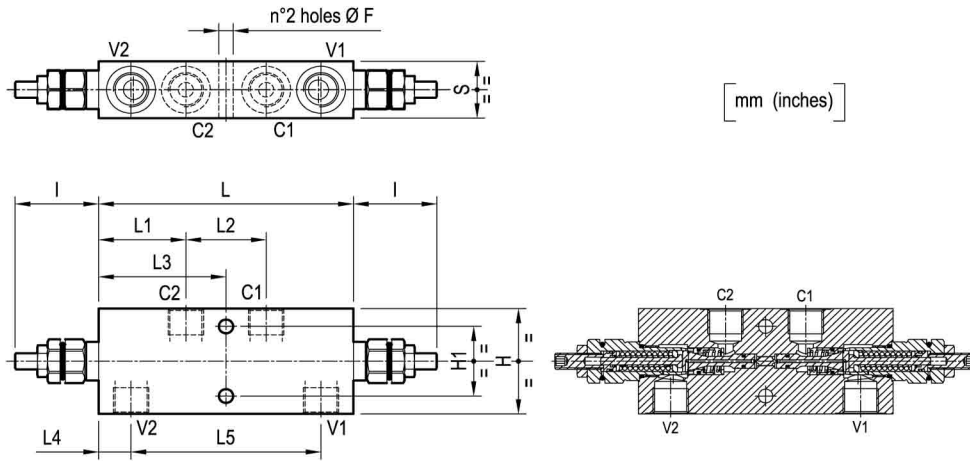
Max. operating pressure	bar (psi)	350 (5000)
Max. flow	l/min (gpm)	60 (16)

Relief setting: at least 1.3 times the highest expected load.

General

Manifold material	Steel
Weight	see "Dimensions"
Fluid temperature range	°C (°F) between -30 (-22) and +100 (212)
Other technical data	see data sheet RE 18350-50

Dimensions



35 (1.38)	112.6 (4.43)	19.2 (0.76)	75.5 (2.97)	47.6 (1.87)	51.7 (2.04)	151 (5.95)	49.5 (1.95)	43 (1.69)	65 (2.56)	8.5 (0.34)					G 1/2	2.6 (5.7)
30 (1.18)	109.6 (4.32)	20.7 (0.82)	75.5 (2.97)	47.6 (1.87)	51.7 (2.04)	151 (5.95)	49.5 (1.95)	38 (1.5)	55 (2.17)	8.5 (0.34)					G 3/8	2.0 (4.4)
S	L5	L4	L3	L2	L1	L	I	H1	H	F					Y	Weight kg (lbs)

Ordering code

08.44.04 | **X** | **Y** | **Z**

Dual counterbalance,
relief compensated

Pilot ratio

= 03 4.2:1

Port sizes

V1-V2

C1-C2

= 02

G 3/8

G 3/8

= 03

G 1/2

G 1/2

Tamper resistant cap
code 11.04.23.003
R930000754



SPRINGS			
	Adj. pressure range bar (psi)	Pres. increase bar/turn (psi/turn)	Std. setting Q=5 (l/min.) bar (psi)
= 20	60-210 (870-3000)	75 (1088)	200 (2900)
= 35	100-350 (1450-5000)	165 (2393)	350 (5000)

Type	Material number
08440403022000A	R930006986
08440403023500A	R930006987
08440403032000A	R930006978
08440403033500A	R930006979

Type	Material number