

Part number:

015-10008

HYDROMA

HYDRAULICKÉ SYSTÉMY

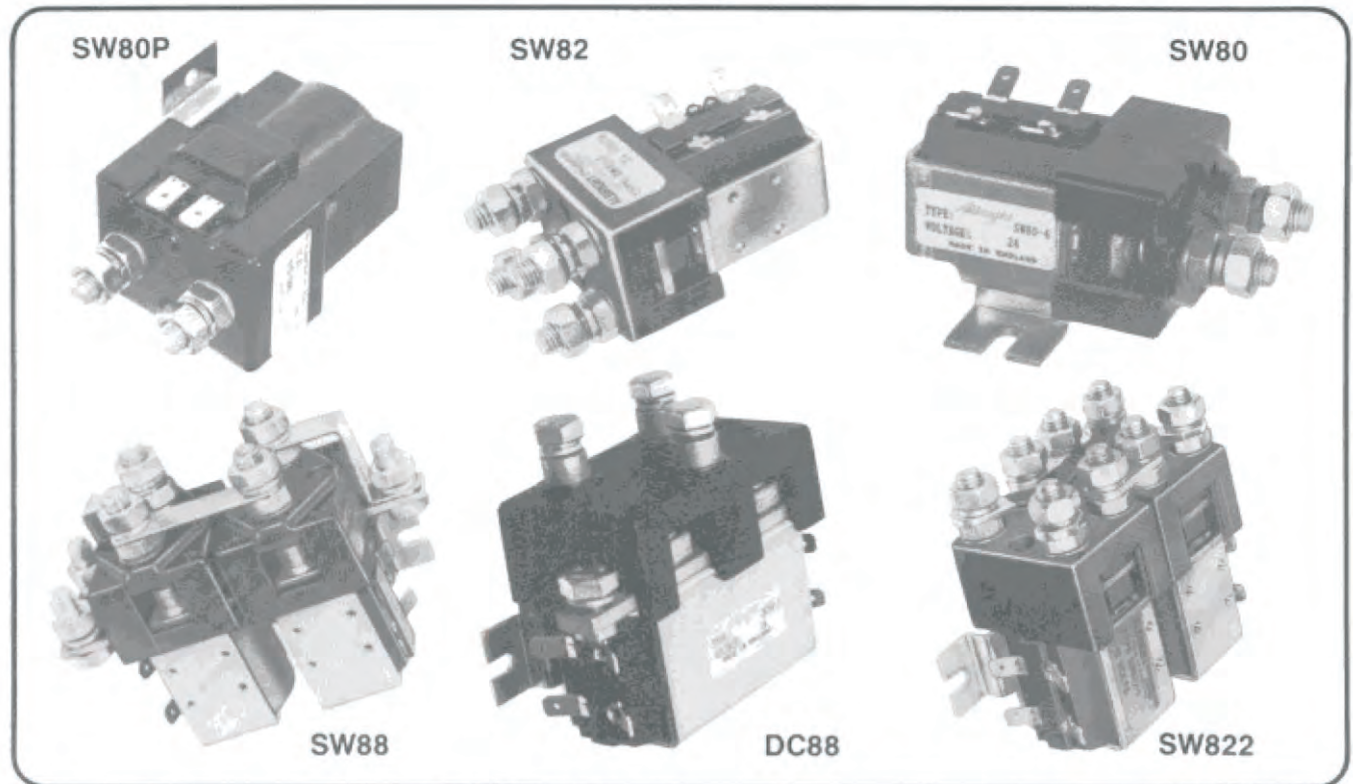
**HIDROMA
SYSTEMS**

UKŁADY HYDRAULICZNE

HYDROMA

ГИДРАВЛИЧЕСКИЕ СИСТЕМЫ

SW80 SERIES OF D.C. CONTACTORS



CONTACTORS IN THE SERIES

SW80	SINGLE POLE SINGLE THROW
SW80P	SINGLE POLE SINGLE THROW (environmentally protected)
SW82	DOUBLE POLE SINGLE THROW
SW82P	DOUBLE POLE SINGLE THROW (environmentally protected)
SW822	PAIRED DOUBLE POLE SINGLE THROW (for motor reversing)
SW822P	PAIRED DOUBLE POLE SINGLE THROW FOR MOTOR REVERSING (environmentally protected)
SW84	SINGLE POLE DOUBLE THROW
SW85	SINGLE POLE SINGLE THROW (normally closed)
SW85P	SINGLE POLE SINGLE THROW (normally closed, environmentally protected)
SW86	2 x SW84 ON DOUBLE BRACKET
DC88	MONOBLOCK SINGLE POLE DOUBLE THROW (for motor reversing)
DC88P	MONOBLOCK SINGLE POLE DOUBLE THROW (for motor reversing, environmentally protected)
DC88E	MONOBLOCK SINGLE POLE DOUBLE THROW (for motor reversing, reduced specification)
SW88	PAIRED SINGLE POLE DOUBLE THROW ON DOUBLE BRACKET (for motor reversing)
SW90	SW80 & SW84 ON DOUBLE BRACKET
DC92	MONOBLOCK 2 x SW80
DC92P	MONOBLOCK 2 x SW80P (environmentally protected)
DC92E	MONOBLOCK 2 x SW80 (reduced specification)
SW92	2 x SW80 ON DOUBLE BRACKET
SW93	2 x SW85 ON DOUBLE BRACKET

UNIQUE RANGE

The SW80 series of contactors has been designed for direct current loads, particularly motors as used on small electric vehicles such as light industrial trucks, powered invalid cars, etc.

They have double breaking main contacts with silver alloy contact tips, which are weld resistant, hard wearing and have excellent conductivity.

The range comprises: Single Pole, on/off types (SW80), Double Pole, on/off types (SW82), Single Pole normally closed types (SW85) and paired versions of these for motor reversing (SW822, SW88 and DC88 types).

COMPACT SIZE

The contactors are compact in size and are fully serviceable, excluding 'P' versions, with a full range of spare parts available.

They are economical in price and compare favourably with sealed automotive style solenoid switches which cannot be serviced or inspected for contact wear.

EASY INSTALLATION

Mounting is by means of 4mm tapped holes in the switch frame together with a range of mounting brackets complete with screws and washers.

Coil connections are by means of 6mm spades of which two are supplied per terminal.

Contactors types DC88, DC92, SW822, SW86, SW88, SW90, SW92 and SW93 are supplied as an assembly which includes a double mounting bracket as a standard feature.

Mounting attitudes are detailed in the drawings on the following pages.

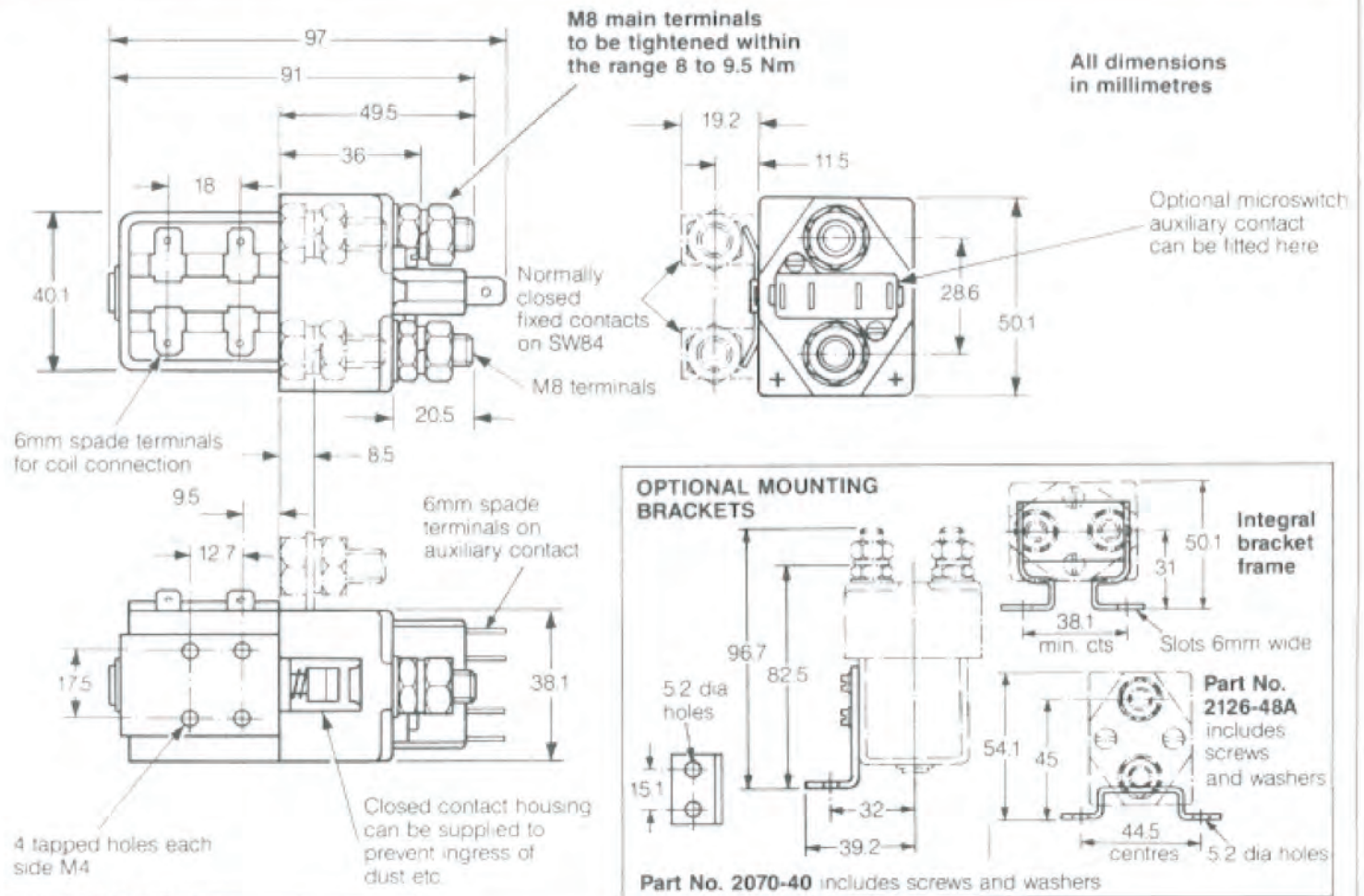
OPERATING COILS

Coil voltages ranging from 6 to 240 are available and these are wound for D.C. operation.

However, coils can be fitted with a bridge rectifier for use from A.C. supplies.

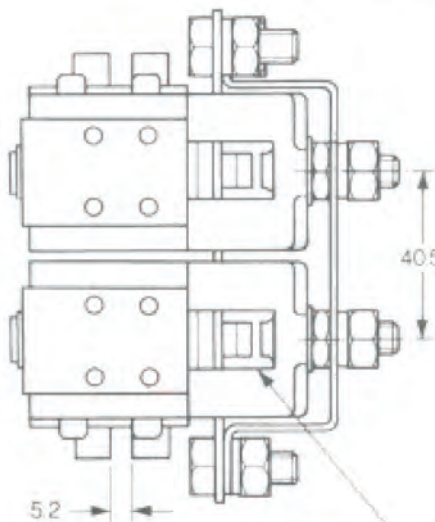
Coils are normally wound for intermittent duty (up to 70% "on" time) but continuous duty versions (100%) are also available.

continued on page 3

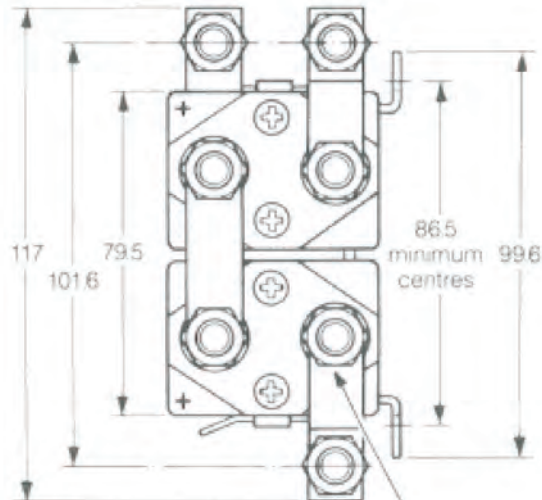


SW80, 84 AND 85

The contactors can be mounted either horizontally or vertically. If mounted vertically the contact studs must point upwards with the exception of the SW85 and its derivatives which should be mounted with the contact studs pointing downwards.

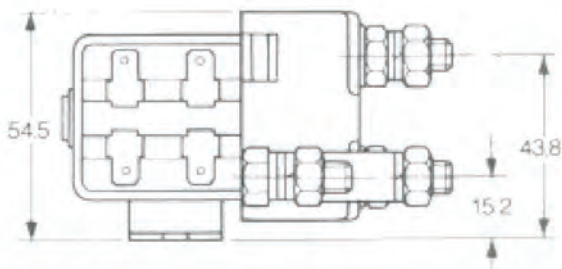
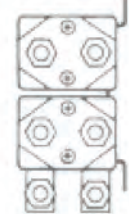
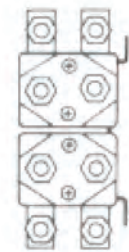


Closed contact housings can be supplied to prevent ingress of dust etc.



M8 main terminals to be tightened within the range 8 to 9.5 Nm

The paired contactors are fitted with mounting bracket as shown
Auxiliary contacts can be fitted as shown on SW80

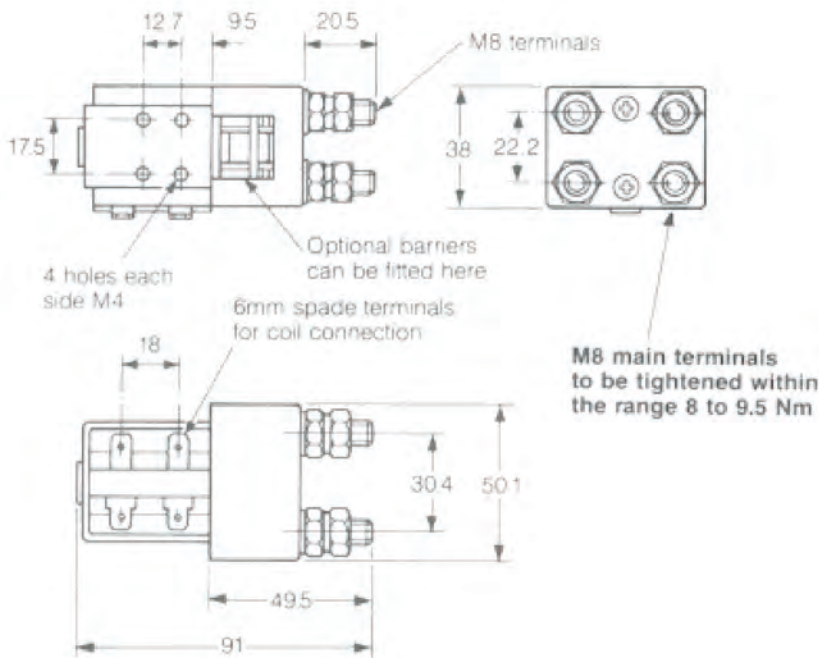


SW86, 88, 90, 92 AND 93

PLEASE NOTE
The Normally Closed contacts of the SW84 and SW88 are not designed to make and break current.

All dimensions in millimetres

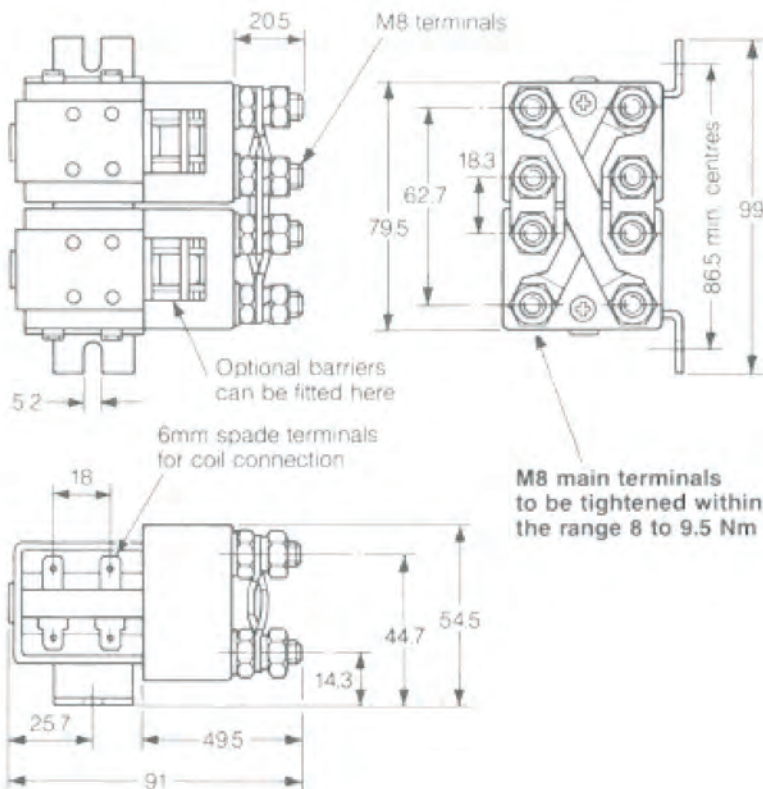
DIMENSION DRAWINGS



All dimensions in millimetres

SW82

The contactors can be mounted either horizontally or vertically. If mounted vertically the contact studs must point upwards.



All dimensions in millimetres

SW822

Pull-in voltages are approximately 60% and 66% of the rated voltage for intermittent and continuously rated types respectively.

Drop-out voltage is normally 10% of rated voltage.

Variations from these pull-in and drop-out figures can be engineered to suit particular applications.

CONTACTOR PAIRS

The contactors can be mounted in pairs on a common bracket together with inter-connecting electrical links. The most important of these arrangements are the motor reversing circuits provided by the SW88, DC88 and SW822 contactor pairs.

The SW88 and DC88 types have a built in failsafe so that if both coils are energised simultaneously the contact design creates an open circuit situation.

The SW822 types have fast drop-out times (approx 5 m.sec.) and relatively slow pull-in times (approx 20 m.sec). Therefore motor direction changes can be undertaken without risk of all contacts being closed at the same time. However, certain types of coil suppression such as diodes substantially increase drop-out times and care must be taken to ensure suitable suppression is fitted, e.g. diode and resistor in series.

MAGNETIC BLOWOUTS 'B'

The single pole types (excluding 'P' versions) can be fitted with permanent magnet blowouts. These enable the contacts to switch D.C. voltages of 48 or higher. Fitting of blowouts makes the contacts polarity sensitive and the **Positive markings** on the top cover of the contactor **must** be observed. The suffix 'B' denotes the fitting of magnetic blowouts, for example SW80B.

AUXILIARY CONTACTS 'A'

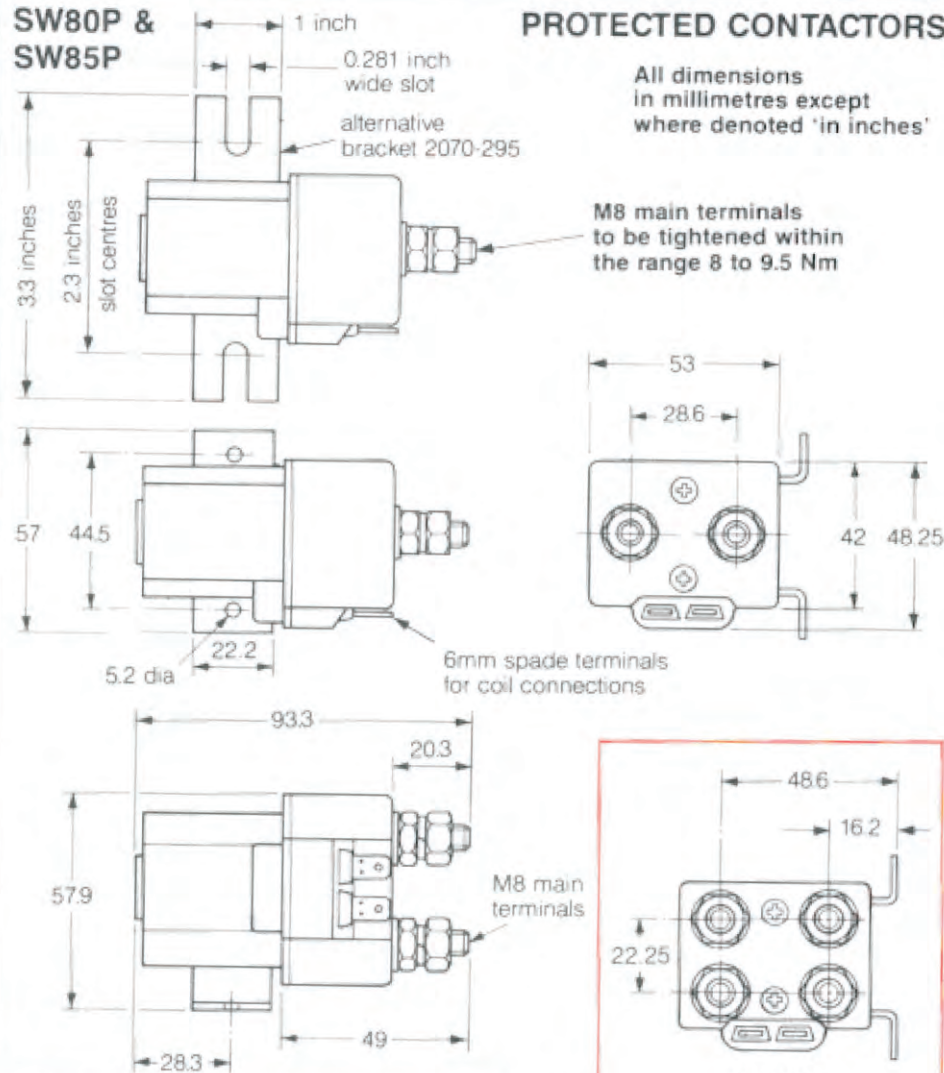
A double circuit normally open, normally closed microswitch can be fitted which has a D.C. resistive rating of 5 Amperes at 24v.

The suffix 'A' should be added to the type number when an auxiliary contact is required, for example, SW80A.

Note: Auxiliary contacts cannot be fitted to the SW82 or SW822 types.

SW80P & SW85P

PROTECTED CONTACTORS



The SW80 range of contactors have standard contacts which are 8mm diameter. These are suitable for the majority of applications where switching conditions are relatively light, particularly on electronically controlled vehicles. However, in applications where more severe conditions exist, e.g. pump motor switching, all types are available with larger contacts 10.3mm diameter. The suffix 'L' denotes larger contacts.

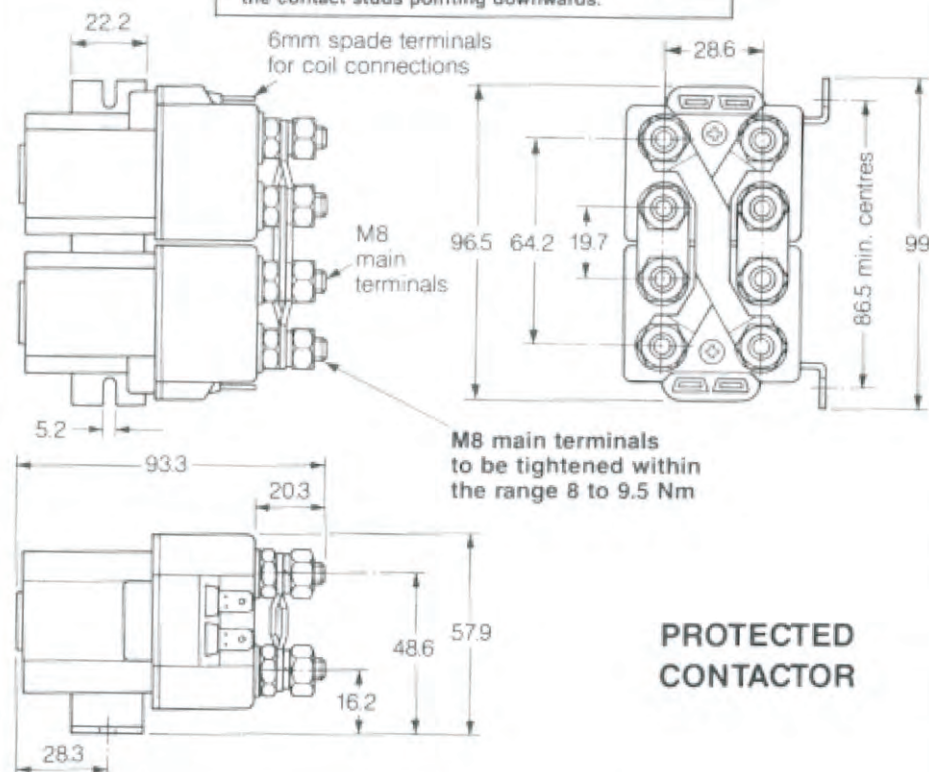
PROTECTED CONTACTORS 'P'

All types can be fitted with closed contact housings as a low cost option to provide protection against environmental dust.

However, special versions of the DC88, DC92, SW80, SW82, SW85 and SW822 contactors are available which are protected to IP66 against particularly adverse environments such as water spray, airborne dust, etc. These contactors, which have the suffix 'P', are sealed in an inert plastic case and are fitted with mounting brackets as shown in the drawings. Magnetic blowouts cannot be fitted to these types and therefore under normal circumstances the maximum voltage which can be switched by the DC88P, DC92P, SW80P and SW85P is 48v D.C. although the types SW82P and SW822P, by virtue of their double pole configuration, may be used up to 96v D.C.

SW80P, SW82P AND SW85P

The contactors can be mounted either horizontally or vertically. If mounted vertically the contact studs must point upwards with the exception of the SW85 and its derivatives which should be mounted with the contact studs pointing downwards.



SW822 P

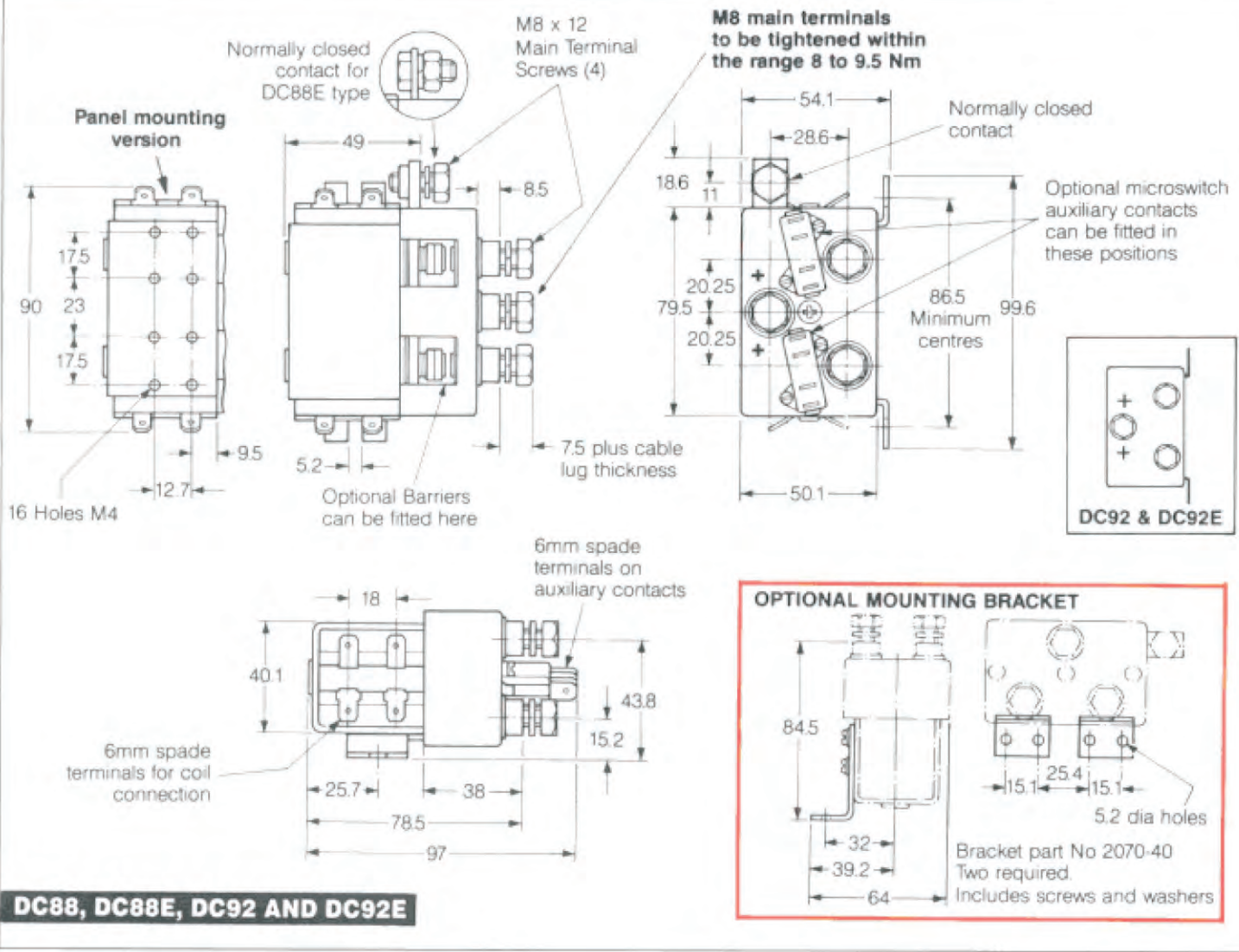
All dimensions in millimetres

DC88 & DC92 CONTACTORS

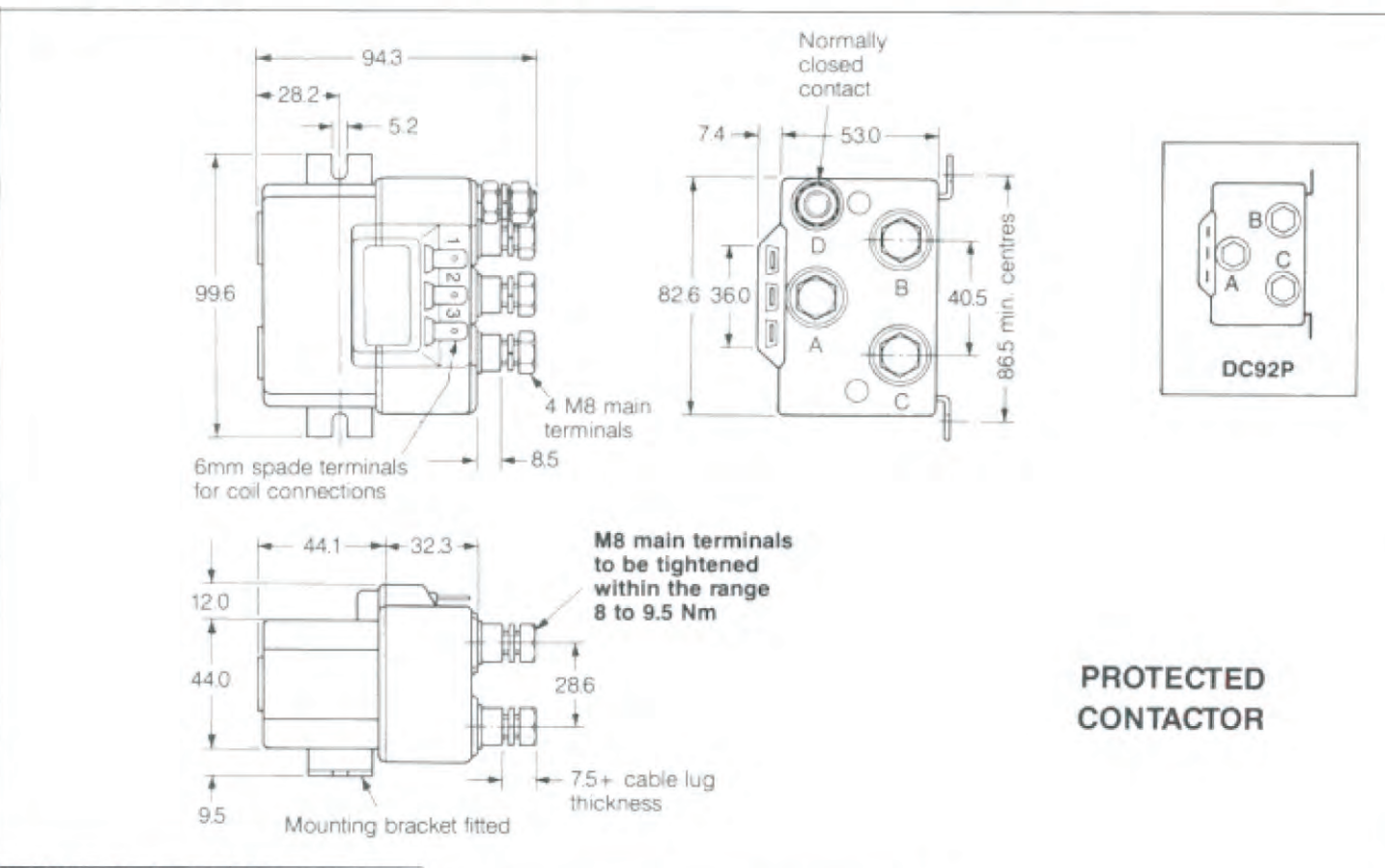
The DC88 is another version of a reversing contactor for D.C. motors. It has a monoblock construction and it comprises two single pole changeover contactors configured in such a way so that all the necessary links for D.C. motor reversing applications are contained within the contact housing.

This results in a neat compact design which is compatible with modern electronic control systems. The main terminals can be configured in a variety of ways in order to suit the application layout.

All the features described in this brochure for the other contactors in the SW80 range apply to the DC88.



DC88, DC88E, DC92 AND DC92E

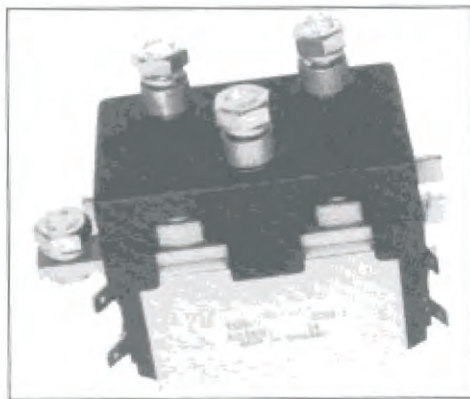


PROTECTED CONTACTOR

DC88P AND DC92P

The contactor can be mounted either horizontally or vertically. If mounted vertically the contact studs must point upwards.

All dimensions in millimetres



Similarly all the optional extras listed apply:

- Magnetic blowouts (suffix B)
- Auxiliary contacts (suffix A)
- Large contact tips (suffix L)

A variety of methods for mounting the contactor are available:

- (1) An integral bracket. (2) Tapped holes in the contactor frame for

A paired single pole on/off contactor can also be supplied. This is the type DC92 and this contactor can also have integral links for the main poles if required.

direct panel mounting. (3) Separate brackets for mounting the contactor at 90° to a panel (see page 5).

The DC88 is physically and electrically interchangeable with the SW88 reversing contactor.

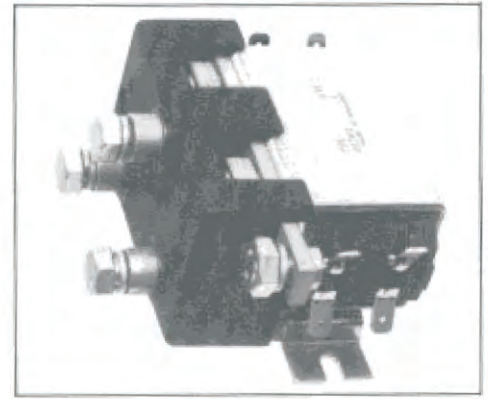
DC88E AND DC92E ECONOMY CONTACTORS

The DC88E is a version of the DC88 Direction Contactor and has a reduced specification compared with the standard DC88.

It has been designed for use with smaller pedestrian and rider electric trucks, particularly those equipped with electronic controls. It is also intended for use with small electric winches, cranes, etc.

Thermal current rating is nominally 80A and coil power has been reduced to within the range of 10-15 watts compared with the 15-20 watts of the standard version.

This reduced specification results in a lower price which can compare



favourably with the price of automotive canned solenoids together with their associated wiring and mounting costs.

Similarly the DC92E Economy Version of the DC92 paired on/off contactor is also available.

Most of the additional features which can be specified on the standard DC88 and DC92, such as magnetic blowouts, auxiliary contacts, dust shields, etc., can also be specified for the DC88E and DC92E. Similarly, overall dimensions, footprint and terminal sizes are unchanged.

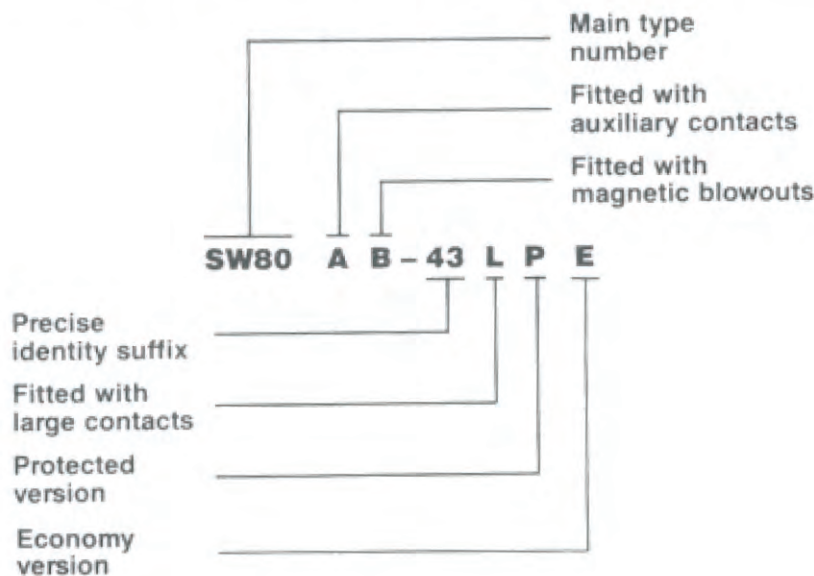
CONTACTOR WEIGHTS

Add 20 gms for each auxiliary contact

Add 50 gms for each set of blowout magnets

SW80	350 gms	SW822	920 gms	SW85P	395 gms	DC88E	930 gms	DC92	770 gms
SW80P	390 gms	SW822P	960 gms	SW86	890 gms	DC88P	990 gms	DC92E	750 gms
SW82	430 gms	SW84	430 gms	SW88	910 gms	SW90	810 gms	SW93	750 gms
SW82P	450 gms	SW85	360 gms	DC88	950 gms	SW92	730 gms	DC92P	810 gms

EXPLANATION OF CONTACTOR TYPE NUMBERS



	Auxiliary Contacts	Magnetic Blowouts	Mounting Brackets	Large Contact Tips	Closed Contact Housing	Environmentally Protected
SW80	O	O	O	O	O	O
SW82	N	N	O	O	O	O
SW822	N	N	S	O	O	O
SW84	O	O	O	O	O	N
SW85	O	O	O	O	O	O
SW86	O	O	S	O	O	N
DC88	O	O	S	O	O	N
DC88E	O	O	S	N	O	N
DC88P	N	N	S	O	S	S
SW88	O	O	S	O	O	N
SW90	O	O	S	O	O	N
DC92	O	O	S	O	O	N
DC92E	O	O	S	N	O	N
DC92P	N	N	S	O	S	S
SW92	O	O	S	O	O	O
SW93	O	O	S	O	O	O

O = Optional Extra, S = Standard Feature, N = Not Available

COIL RESISTANCES FOR POPULAR VOLTAGES

	12V DC	24V DC	36V DC	48V DC	60V DC	72V DC	80V DC
Intermittently rated coils (ohms)	9	29	73	120	212	305	365
Continuously rated coils (ohms)	14	52	120	212	305	458	600

PERFORMANCE DATA

SW80, SW80B, SW82, SW84B, SW85, SW85B, SW88, SW88B, DC88, DC88B and SW822

Thermal current rating (100%): 100 Amperes

Intermittent current rating:

30% duty	180 Amperes
40% duty	160 Amperes
50% duty	150 Amperes
60% duty	130 Amperes
70% duty	120 Amperes

Typical fault currents which can be ruptured (5ms time constant):

SW80 and SW85 800 Amperes at 48V D.C.
SW80B and SW85B

800 Amperes at 80V D.C.

SW84*, SW88* and DC88*

800 Amperes at 48V D.C.

SW84B*, SW88B* and DC88B*

600 Amperes at 80V D.C.

SW82 and SW822 800 Amperes at 80V D.C.

* Normally open contacts, not normally closed contacts.

Maximum recommended contact voltages:

SW80(P) and SW85(P)	48V D.C.
SW80B	96V D.C.
SW84, SW88 and DC88(P)	48V D.C.
SW84B, SW88B and DC88B	96V D.C.
SW82(P) and SW822(P)	96V D.C.

Typical voltage drop across contacts per 100 Amperes:

SW80(P) and SW85(P)	40mV
SW82(P) and SW822(P) (per pole)	50mV
SW84, SW88 and DC88 (P) (normally open contacts)	40mV
SW84, SW88 and DC88 (P) (normally closed contacts)	50mV

Mechanical life: $> 5 \times 10^6$

Coil power dissipation:

Intermittently rated types	15-20 Watts
Continuously rated types	7-13 Watts

Maximum pull-in voltage (coil at 20°C):

Intermittently rated types	60%V
Continuously rated types	66%V

Typical drop-out voltage: 10-25%V

Pull-in time (n/o contacts to close): 20ms

Drop-out time (n/o contacts to open):

Without suppression	5ms
With diode suppression	50ms
With diode and resistor (depending on value)	8-20ms

Main contact changeover time (SW84, SW88 and DC88)

Normally closed to normally open	7ms
Normally open to normally closed	4ms

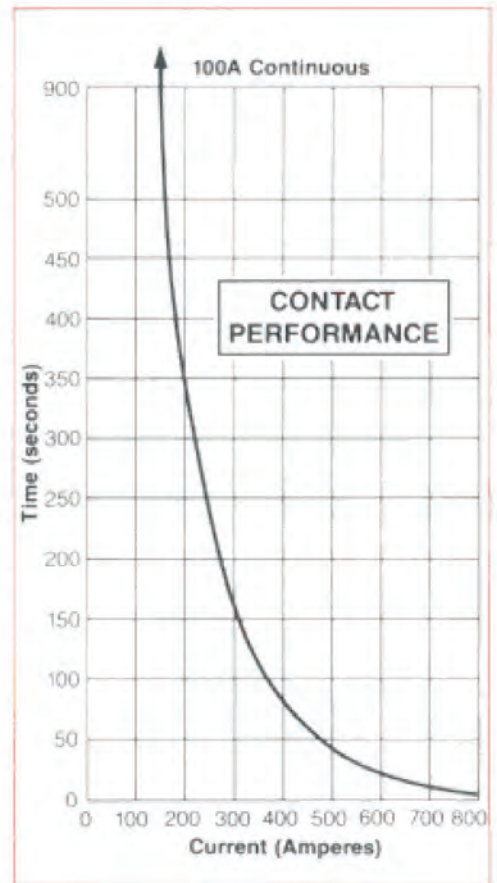
Typical contact bounce period: 3ms

Auxiliary contact thermal current rating:

5 Amperes

Auxiliary contact switching capacities (resistive load):

5A at 24V D.C.
2A at 48V D.C.
0.5A at 240V D.C.



DC88E

Thermal current rating (100%): 80 Amperes

Intermittent current rating:

30% duty	150 Amperes
40% duty	130 Amperes
50% duty	120 Amperes
60% duty	105 Amperes
70% duty	95 Amperes

Typical fault currents which can be ruptured (5ms time constant):

DC88E* 800 Amperes at 48V D.C.

DC88BE* 600 Amperes at 80V D.C.

* Normally open contacts, not normally closed contacts.

Maximum recommended contact voltages:

DC88E	48V D.C.
DC88BE	96V D.C.

Typical voltage drop across contacts per 100 Amperes:

Normally open contacts	40mV
Normally closed contacts	50mV

Mechanical life: $> 5 \times 10^6$

Coil power dissipation:

10-15 Watts

Maximum pull-in voltage (coil at 20°C):

60%V

Typical drop-out voltage: 10-25%V

Pull-in time (n/o contacts to close): 20ms

Drop-out time (n/o contacts to open):

Without suppression	5ms
With diode suppression	50ms
With diode and resistor (depending on value)	8-20ms

Main contact changeover time:

Normally closed to normally open	7ms
Normally open to normally closed	4ms

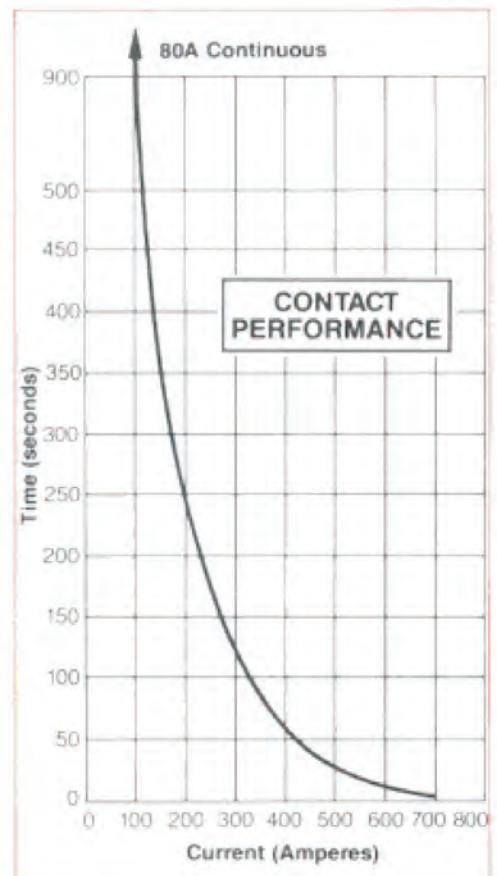
Typical contact bounce period: 3ms

Auxiliary contact thermal current rating:

5 Amperes

Auxiliary contact switching capacities (resistive load):

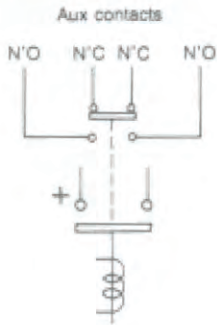
5A at 24V D.C.
2A at 48V D.C.
0.5A at 240V D.C.



All the above figures should be used as a guide only.
Alternative ratings may be considered according to applications.

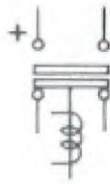
SW80

Single Pole Single Throw (On/Off) Contactor



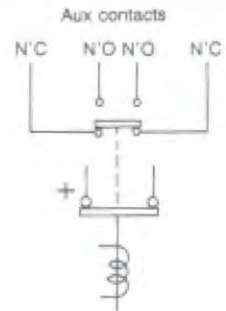
SW84

Single Pole Double Throw (Changeover) Contactor



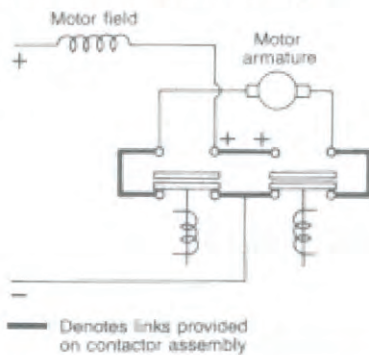
SW85

Single Pole Single Throw (Off/On) Normally Closed Contactor



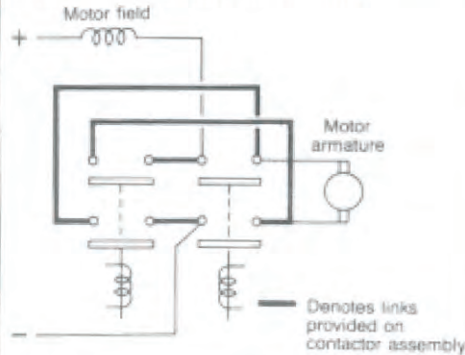
SW88

Paired Single Pole Double Throw Contactor for motor reversing



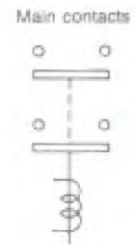
SW822

Paired Double Pole Single Throw Contactor for motor reversing



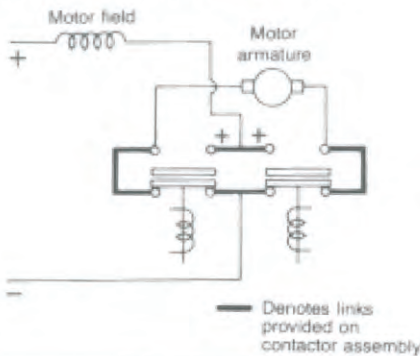
SW82

Double Pole Single Throw Contactor



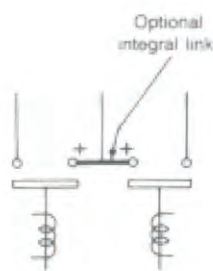
DC88 & DC88E

Monoblock Single Pole Double Throw Contactor for motor reversing



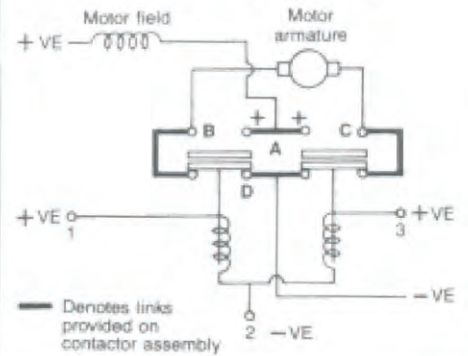
DC92 & DC92E

Monoblock 2 x SW80



DC88P

Monoblock Single Pole Double Throw Contactor for motor reversing



DC92P

Monoblock 2 x SW80

