

Part number:

HYDROMA

HYDRAULICKÉ SYSTÉMY

**HIDROMA
SYSTEMS**

UKŁADY HYDRAULICZNE

HYDROMA

ГИДРАВЛИЧЕСКИЕ СИСТЕМЫ

RCD DOUBLE FOOT PEDAL LOWER PORTS

RCD is a double pedal version remote control and belongs to the wide range of Hydrocontrol S.p.A.

This pedal work according to the principle of direct-acting pressure reducing valves. In rest position, the foot pedal is held in neutral by return spring; inlet port P is closed and ports are connected to tank port T. Reduced overall dimensions and ergonomic design for a optimal control.



TECHNICAL SPECIFICATIONS

Max pressure: **60 bar**

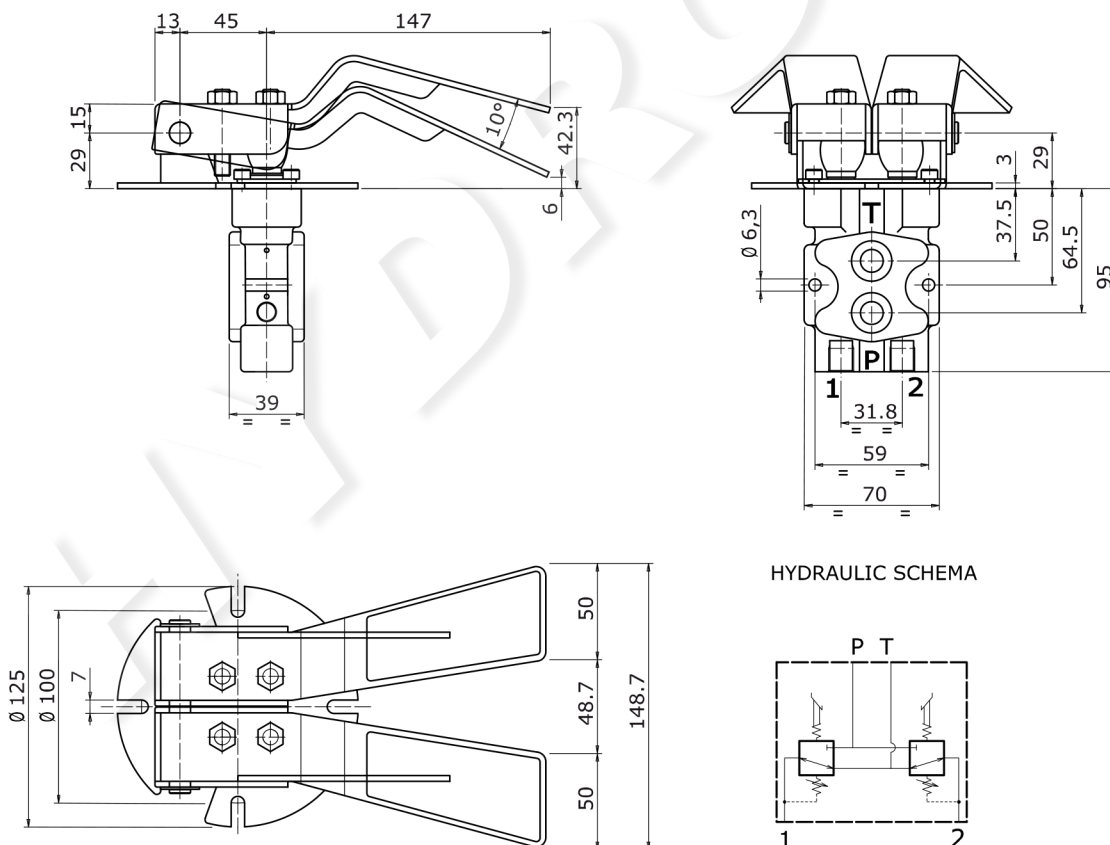
Oil capacity: **12 l/min**

Weight: **3,2 Kg**

APPLICATIONS

Mini skid loaders, Mini dumper

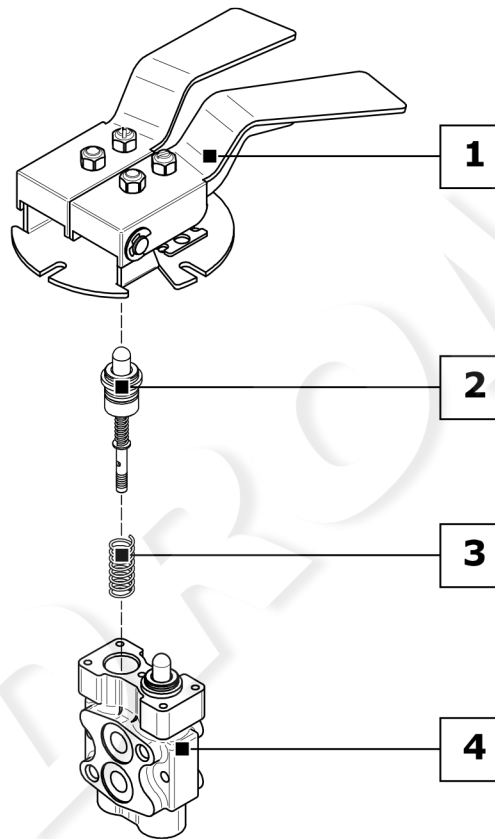
DIMENSIONS



ORDER EXAMPLE = RCD: 01S - A01 - MA - RA G02

- RCD product type _____
- 1 CONTROL CLASSIFICATION:** _____
- 01S** control type _____
- 2 METERING CURVE:** _____
- A01** curve type _____
- 3 RETURN SPRING:** _____
- MA** return spring type _____
- 4 BODY ARRANGEMENT:** _____
- RA** body specification _____
- G02** body thread _____

Ordering row 2 and 3, must be repeated for each port
 complete sample: **RCD: 01S A01 MA A01 MA RA G02**

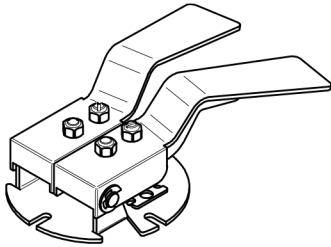
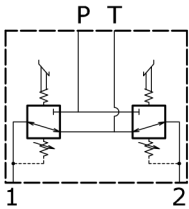


1	CONTROL CLASSIFICATION: (page 44)
01S	Foot pedal with return spring in neutral
2	METERING CURVE: (page 70)
A01	Linear metering curve with step
B01	Linear metering curve without step
C01	Broken line metering curve with step
D01	Broken line metering curve without step

3	RETURN SPRING: (page 79)
MA	Preload 25 N - End stroke load 48 N
MB	Preload 14 N - End stroke load 27 N
MC	Preload 73 N - End stroke load 135 N
MD	Preload 89 N - End stroke load 169 N
4	BODY ARRANGEMENT: (page 45)
RA G02	Standard Body (G 1/4 ports)
RA U02	Standard Body (9/16"-18 UNF ports)

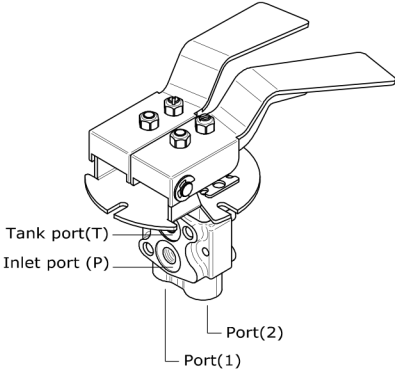
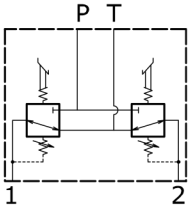
CONTROL KIT CLASSIFICATION

The pedal RCD has only one configuration; for different applications refer to our Commercial Dept.

Code	Configuration	Schema	Description
01S			Foot pedal with return spring in neutral

BODY ARRANGEMENT

The foot pedal RCD has only one setting body, the only variable is represented by a different thread.

Code	Configuration	Schema	Description
RA G02			Standard body with ports G 1/4
RA U02			Standard body with ports 9/16" - 18 UNF

HYDROMA