

Part number:

HYDROMA

HYDRAULICKÉ SYSTÉMY

**HIDROMA
SISTEMS**

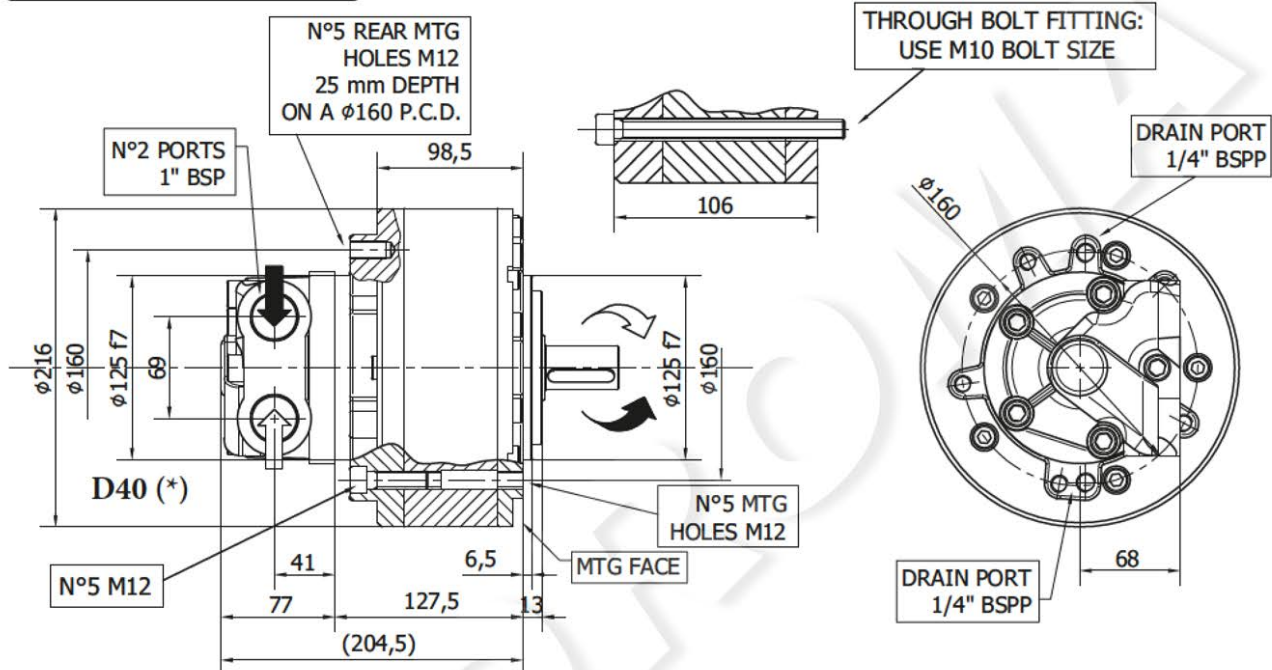
UKŁADY HYDRAULICZNE

HYDROMA

ГИДРАВЛИЧЕСКИЕ СИСТЕМЫ

HC 05

INSTALLATION DRAWING



TECHNICAL DATA - HC 05

		40	60	75	90	110	130	150	175	200	250
DISPLACEMENT	[cc]	40	60	74	91	115	129	151	166	191	226
SPECIFIC TORQUE	[Nm/bar]	0.62	0.97	1.20	1.40	1.84	2.05	2.40	2.65	3.04	3.60
MAX. CONT. PRESSURE	[bar]	250	250	250	250	250	250	250	250	250	250
MAX. INT. PRESSURE	[bar]	320	320	320	320	320	320	320	320	320	320
PEAK PRESSURE	[bar]	350	350	350	350	350	350	350	350	350	350
MAX. CONT. SPEED	[rpm]	1200	1200	1200	1100	850	850	850	750	750	600
PEAK SPEED (***)	[rpm]	1400	1400	1400	1300	1100	1100	1100	1000	1000	800
MAX. CONT. POWER (****)	[kW]	16	25	32	32	35	35	35	35	35	35
PEAK POWER (*****)	[kW]	25	35	50	50	55	55	55	55	55	55
MAX. CASE PRESSURE	[bar]	6	6	6	6	6	6	6	6	6	6
DRY WEIGHT	[kg]	30	30	30	30	30	30	30	30	30	30
TEMPERATURE RANGE (**)	[°C]	-30÷70	-30÷70	-30÷70	-30÷70	-30÷70	-30÷70	-30÷70	-30÷70	-30÷70	-30÷70

- (*) The standard distributor (D40) is shown. Please refer to distributors section for different distributor interfaces.

- (**) Please refer to the hydraulic fluid recommendations.

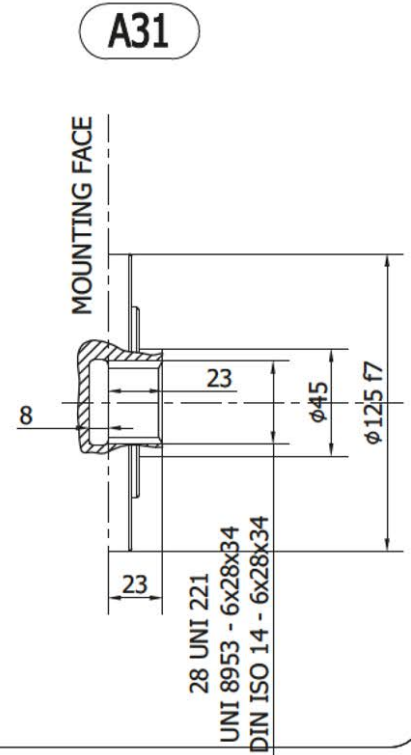
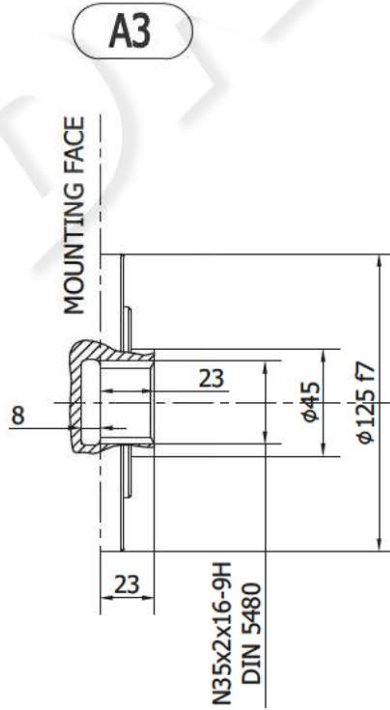
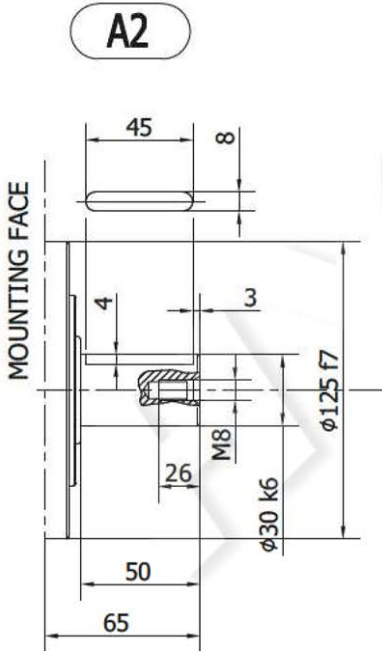
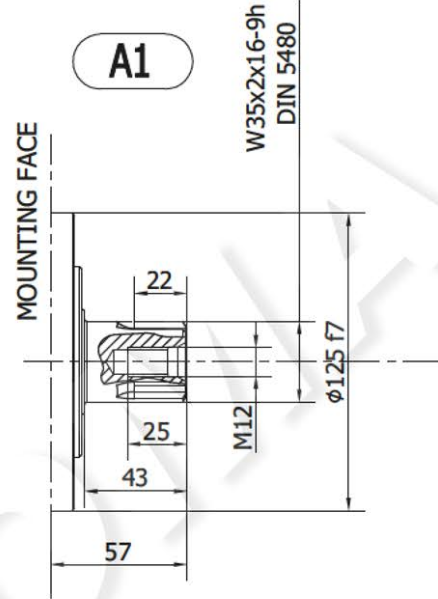
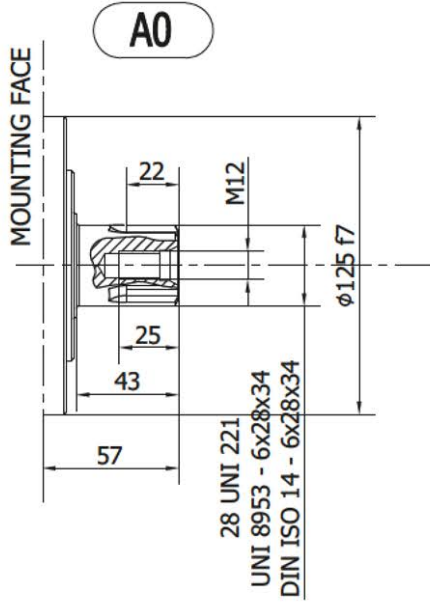
- (***) Do not exceed peak power.

- (****) For motor operation with a continuous duty cycle at maximum continuous power the flushing is required.

- (*****) For motor operation at peak power flushing is usually required. For more information please contact our technical department.

SHAFTS - HC 05

SHAFT CONFIGURATIONS



HC 05 - SPLINE BILLETS

SB14

