

Part number:

HYDROMA

HYDRAULICKÉ SYSTÉMY

**HIDROMA
SISTEMS**

UKŁADY HYDRAULICZNE

HYDROMA

ГИДРАВЛИЧЕСКИЕ СИСТЕМЫ

DH**rotary control valve****Working conditions**

This catalogue shows technical specifications and diagrams measured with mineral oil of 46 mm²/s - 46 cSt viscosity at 40°C - 104°F temperature. DH rotary spool diverter valve position cannot be changed when valve is pressurized.

		DH5	DH10	DH20	DH25	DH30
N. of available ways		3-4-6-8	3-4-6-8	3-4-6-8	3-4-6-8	3-6
Nominal flow rating		60 l/min 16 US gpm	90 l/min 24 US gpm	140 l/min 37 US gpm	200 l/min 53 US gpm	280 l/min 74 US gpm
Operating pressure (maximum)		315 bar 4600 psi	315 bar 4600 psi	315 bar 4600 psi	250 bar 3600 psi	210 bar 3050 psi
Internal leakage A(B)→T	$\Delta p=100$ bar 1450 psi with fluid and valve at 40°C - 104°F	3 cm ³ /min 0.18 in ³ /min	3 cm ³ /min 0.18 in ³ /min	3 cm ³ /min 0.18 in ³ /min	3 cm ³ /min 0.18 in ³ /min	3 cm ³ /min 0.18 in ³ /min
Hydraulic fluid		Mineral base oil				
Fluid temperature	with NBR seals	from -20°C to 80°C / from -4°F to 176°F				
	with FPM seals	from -20°C to 100°C / from -4°F to 212°F				
Viscosity	operating range	from 15 to 75 mm ² /s - from 15 to 75 cSt				
	minima	12 mm ² /s - 12 cSt				
	massima	400 mm ² /s - 400 cSt				
Max. level of contamination		-/19/16 - ISO 4406 / NAS 1638 - class10				
Ambient temperature for working conditions		from -40°C to 60°C / from -40°F to 140°F				

NOTE - For different working conditions please contact Sales Dept

Standard threads**REFERENCE STANDARDS**

		BSP	UN-UNF	METRIC	
THREAD ACCORDING TO		ISO 228/1	ISO 263	ISO 262	ISO 262
		BS 2779	ANSI B1.1 unified		
CAVITY ACCORDING TO	ISO	1179	11926	9974-1	6149
	SAE		J1926		J2244
	DIN	3852-2 shape X or Y		3852-1 shape X or Y	

PORTS THREAD

ALL PORTS	BSP	UN-UNF
DH5	G 3/8	3/4-16 (SAE 8)
DH10	G 1/2	7/8-14 (SAE 10)
DH20	G 3/4	1 1/16-12 (SAE 12)
DH25	G 1	1 5/16-12 (SAE 16)
DH30	G 1 1/2	1 7/8-12 (SAE 24)

NOTE - For different thread contact Sales Department

DesignationDiverter valve **DH10 / 3 A**

Valve type ——— DH10
 Nr. of ways ——— / 3
 Circuit type ——— A

3-way and 6-way

6-way diverter valve is obtained by coupling two 3-way bodies using assembling kit.

4-way and 8-way

8-way diverter valve is obtained by coupling two 4-way bodies using assembling kit.

Spool type A

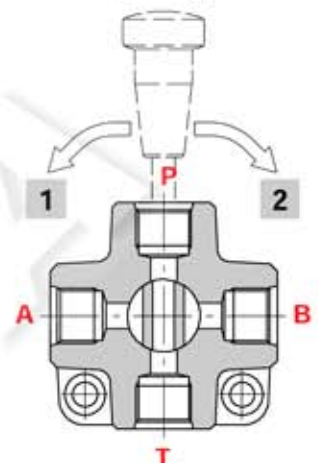
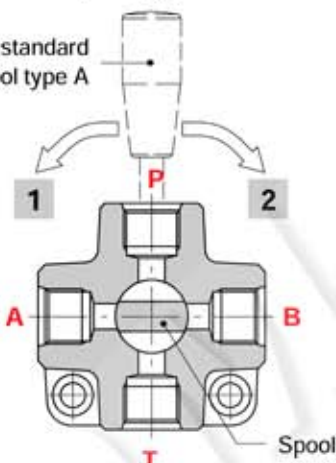
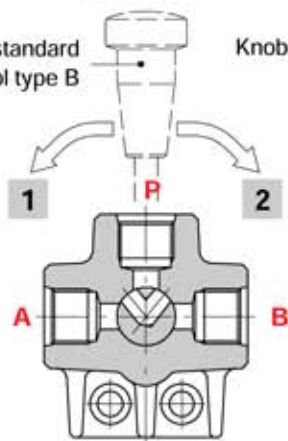
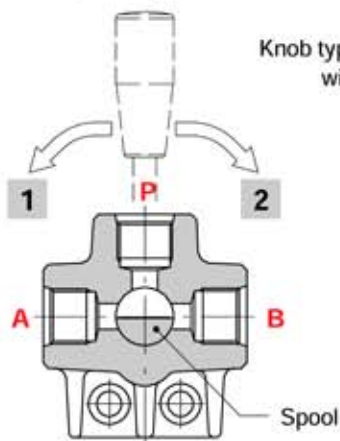
Spool type B

Spool type A

Spool type B

Knob type 02; standard with spool type B

Knob type 01; standard with spool type A



1 0 2

1 0 2

1 0 2

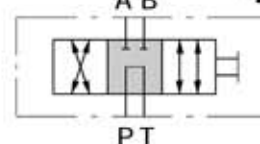
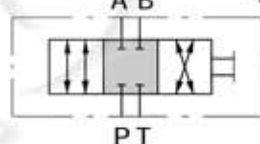
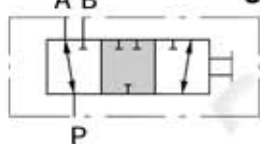
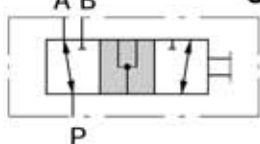
1 0 2

3A

3B

4A

4B



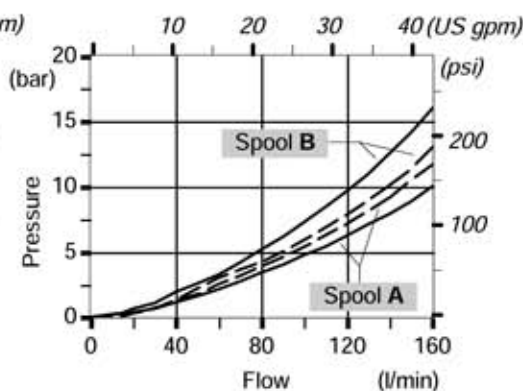
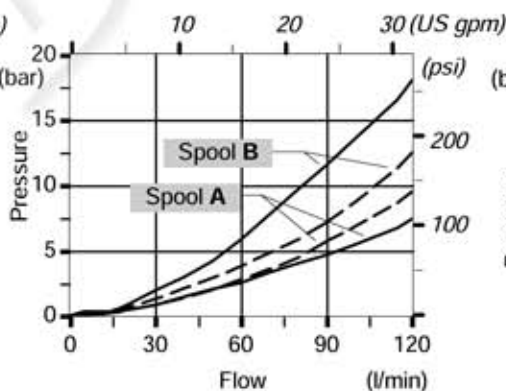
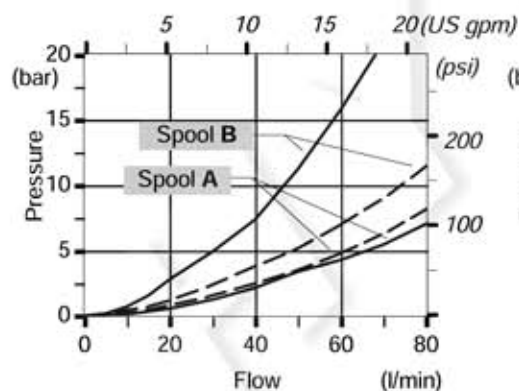
Performance data

Pressure drop versus flow P→A(B): spool in position 1 (2)

DH5

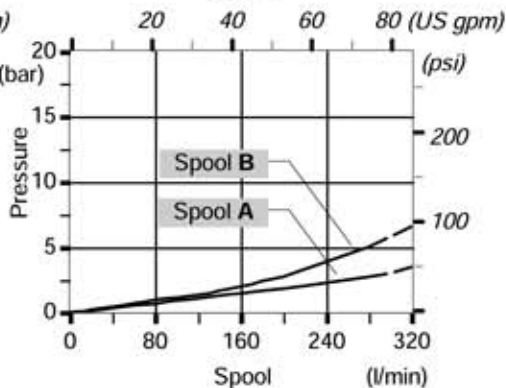
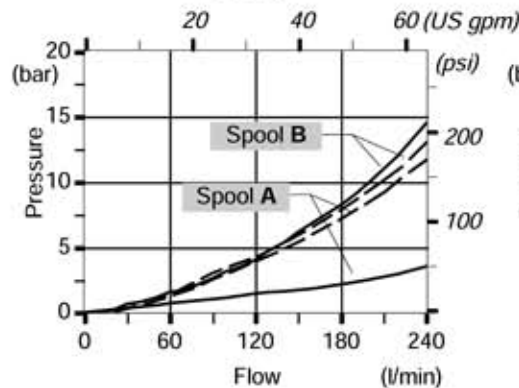
DH10

DH20



DH25

DH30

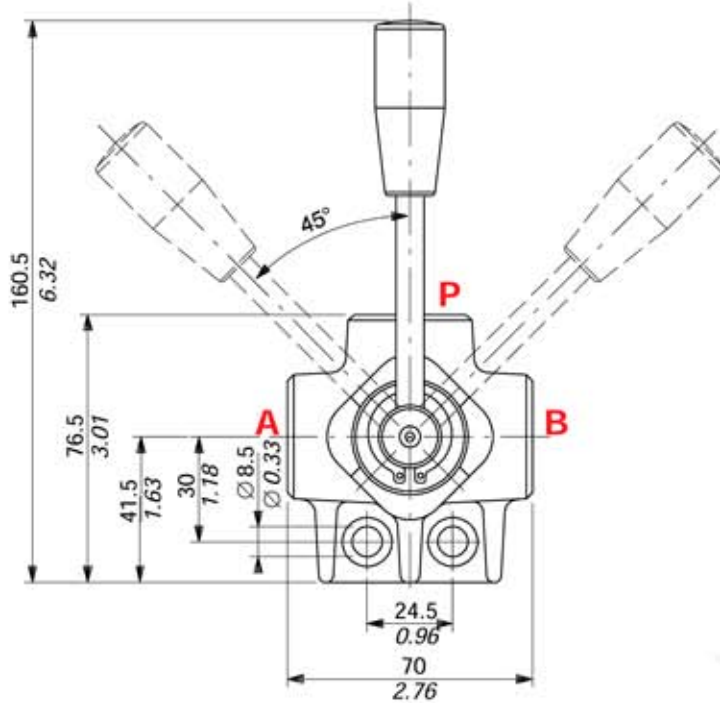


— 3-way and 6-way valves
 - - 4-way and 8-way valves

Dimensional data

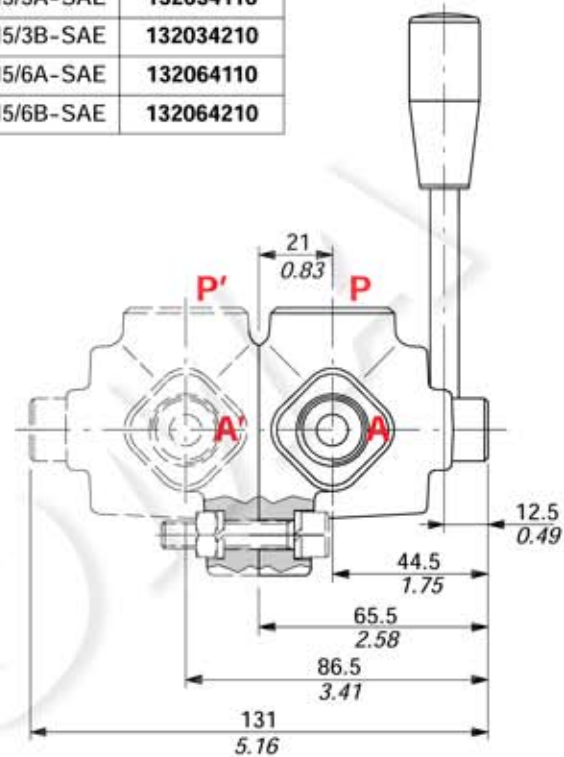
3-way DH5/3 and 6-way DH5/6 valves

Drawing is referred to valve with type A spool.



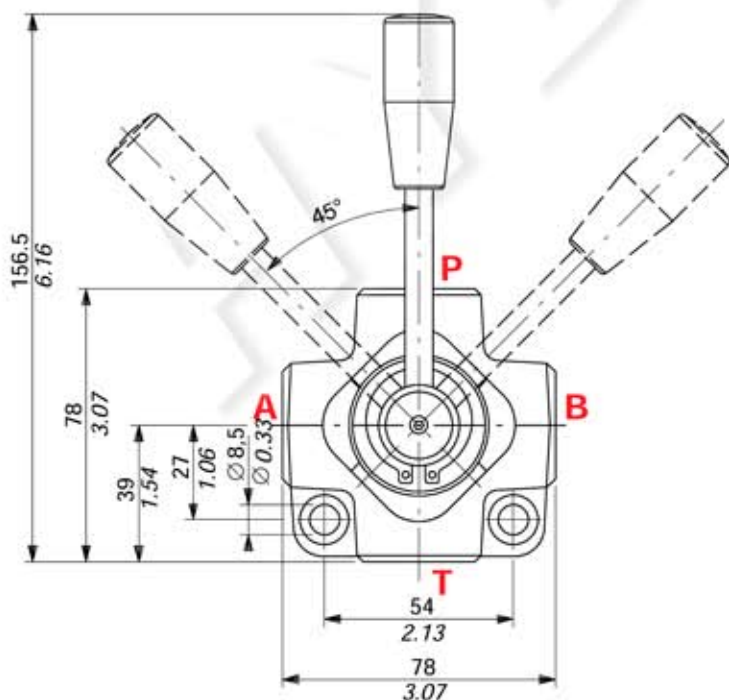
Ordering codes

DH5/3A-SAE	132034110
DH5/3B-SAE	132034210
DH5/6A-SAE	132064110
DH5/6B-SAE	132064210



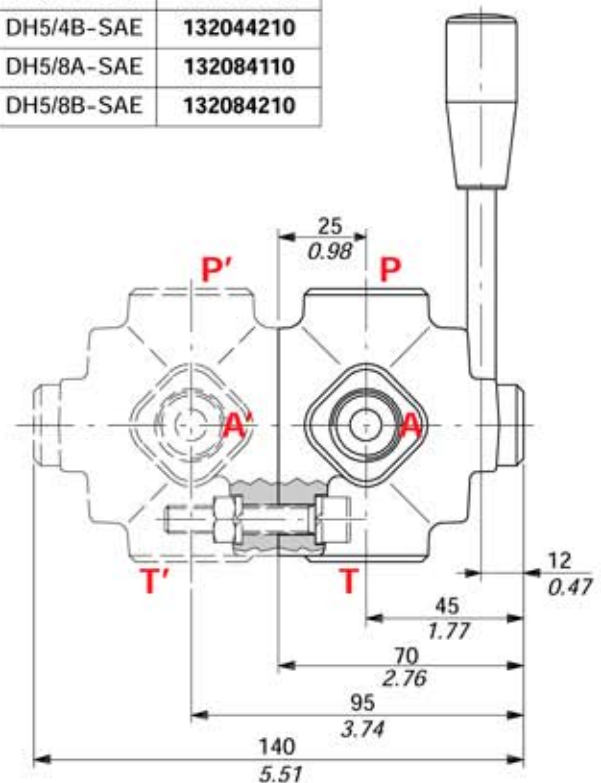
4-way DH5/4 and 8-way DH5/8 valves

Drawing is referred to valve with type A spool.



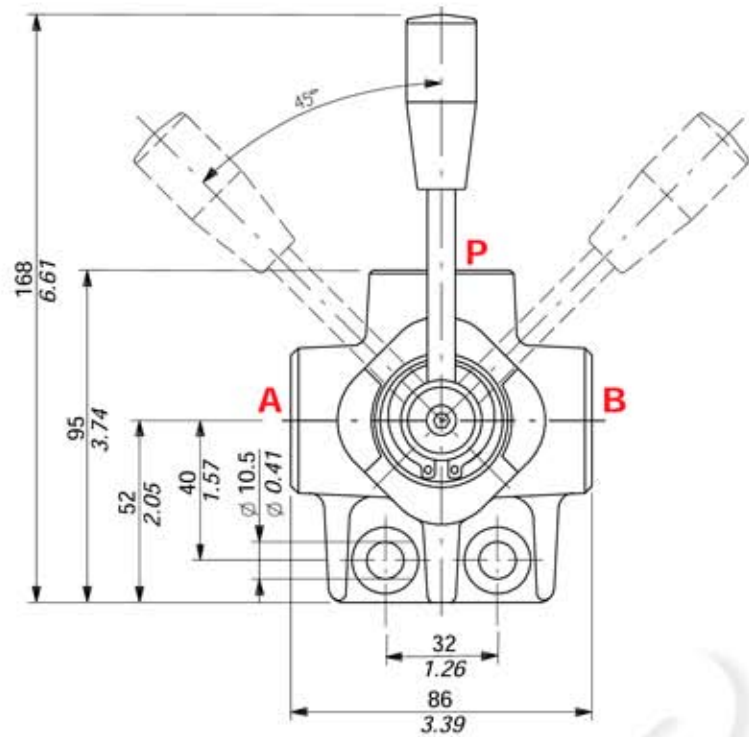
Ordering codes

DH5/4A-SAE	132044110
DH5/4B-SAE	132044210
DH5/8A-SAE	132084110
DH5/8B-SAE	132084210



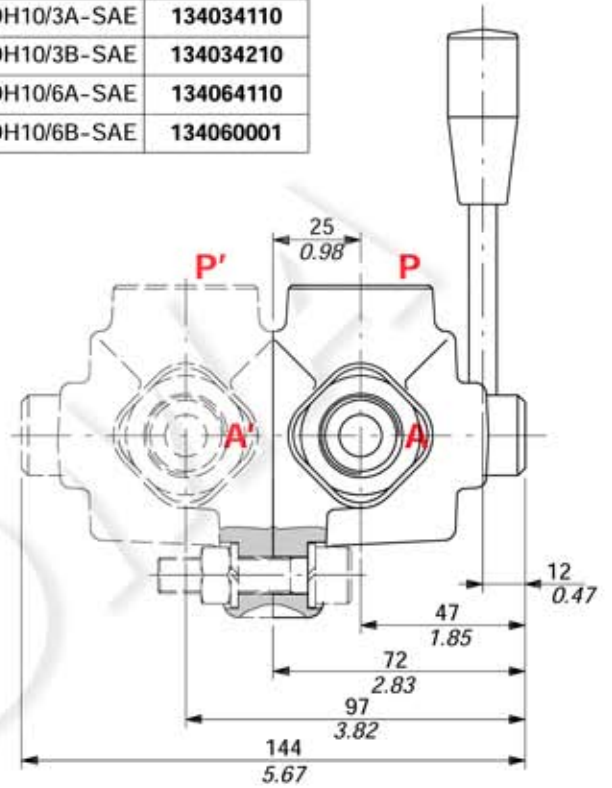
3-way DH10/3 and 6-way DH10/6 valves

Drawing is referred to valve with type A spool.



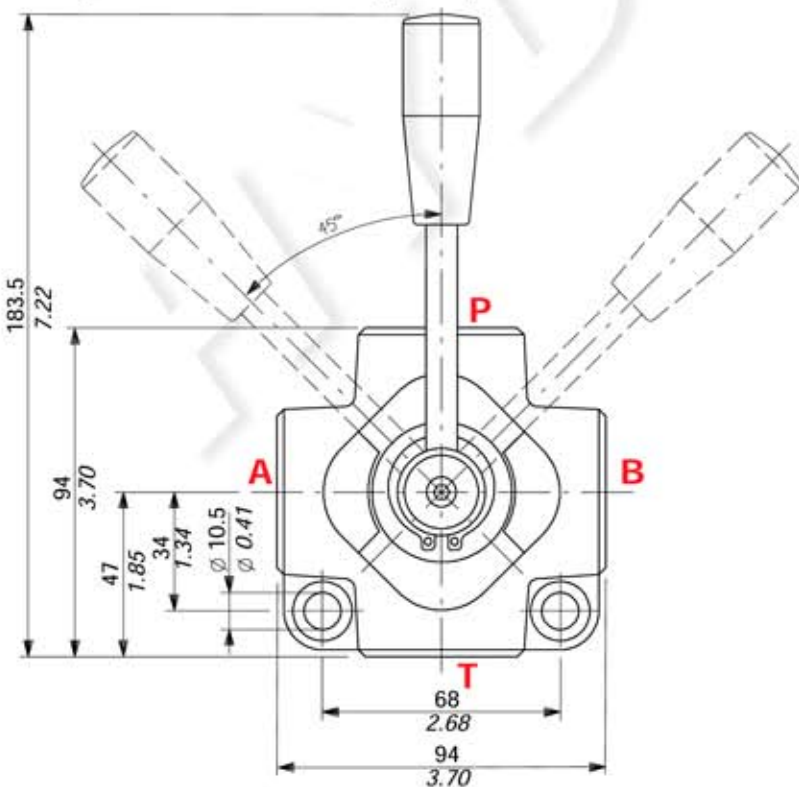
Ordering codes

DH10/3A-SAE	134034110
DH10/3B-SAE	134034210
DH10/6A-SAE	134064110
DH10/6B-SAE	134060001



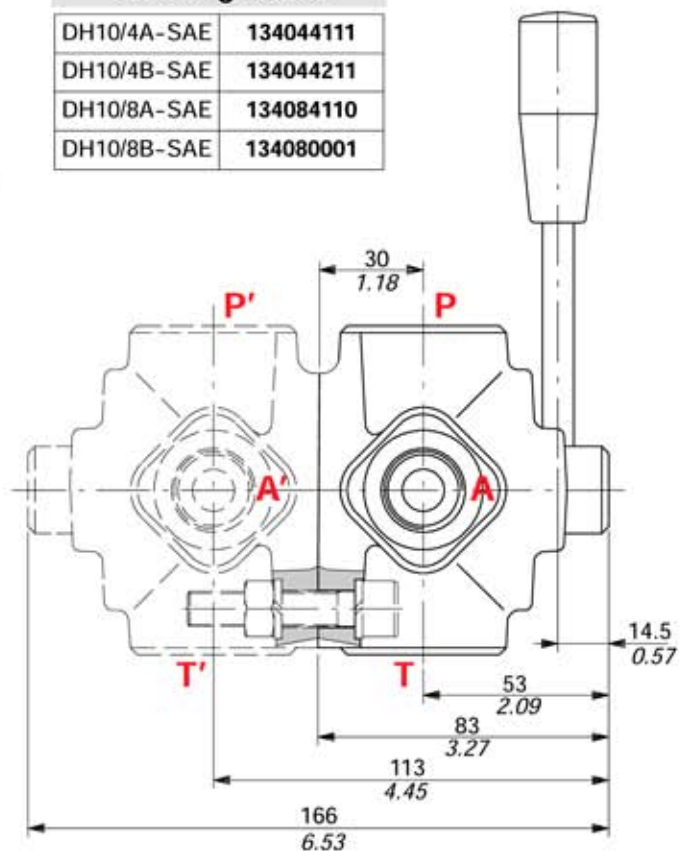
4-way DH10/4 and 8-way DH10/8 valves

Drawing is referred to valve with type A spool.



Ordering codes

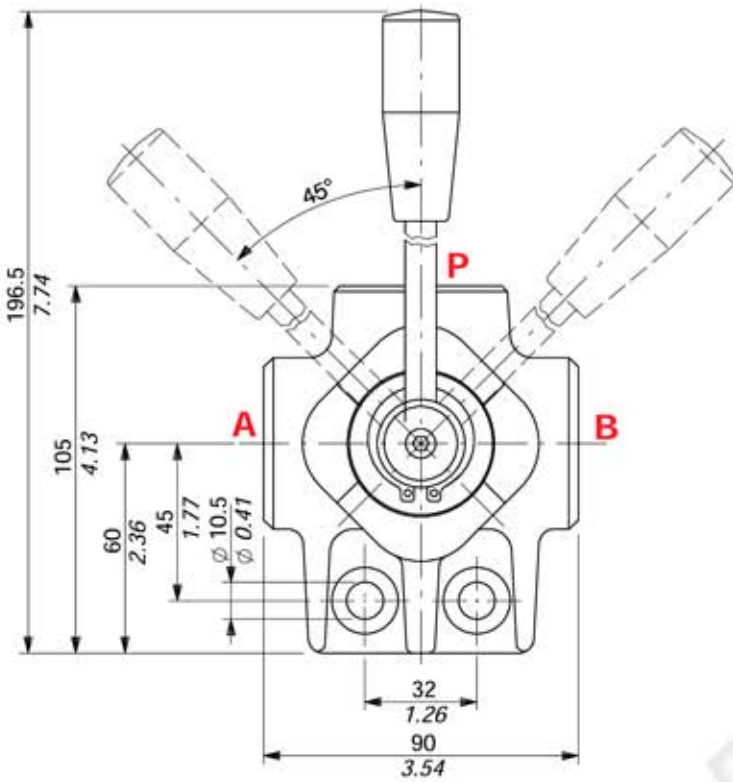
DH10/4A-SAE	134044111
DH10/4B-SAE	134044211
DH10/8A-SAE	134084110
DH10/8B-SAE	134080001



Dimensional data

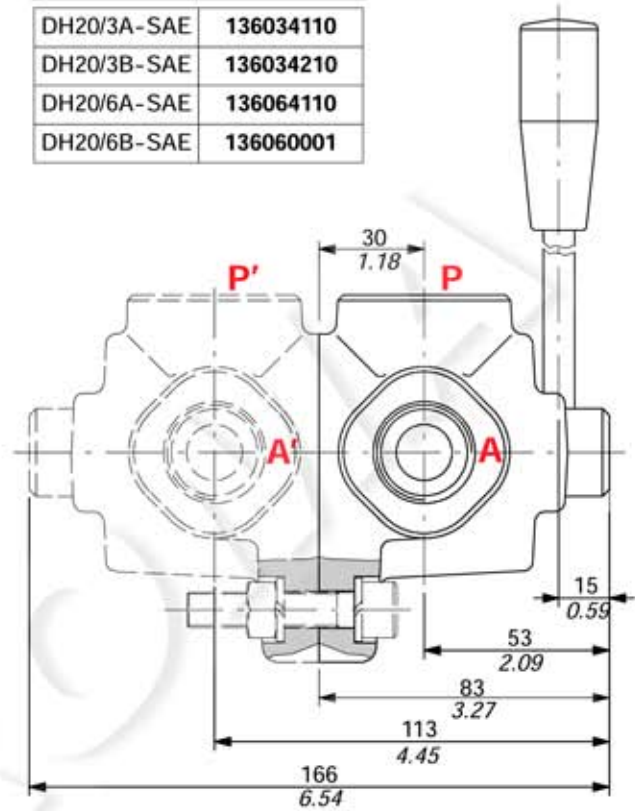
3-way DH20/3 and 6-way DH20/6 valves

Drawing is referred to valve with type A spool.



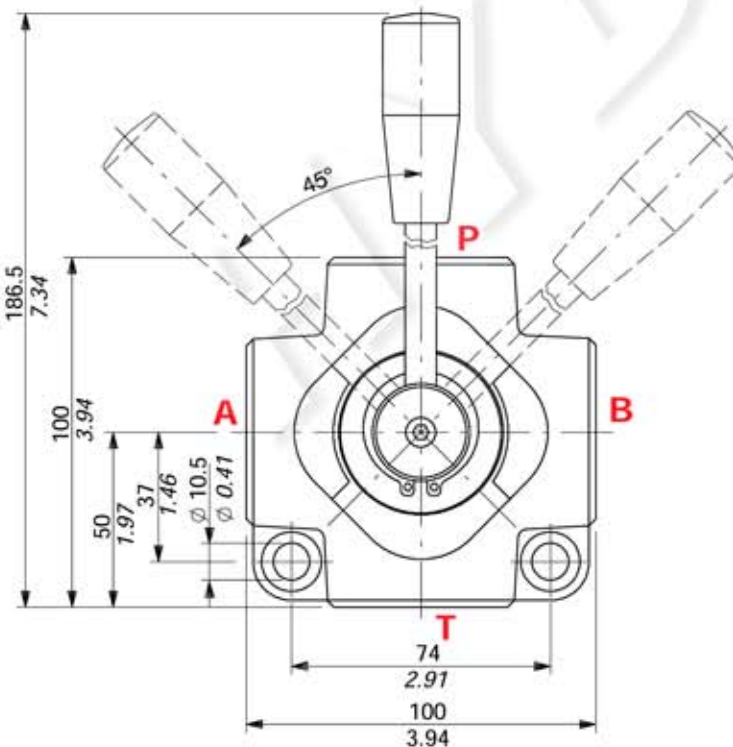
Ordering codes

DH20/3A-SAE	136034110
DH20/3B-SAE	136034210
DH20/6A-SAE	136064110
DH20/6B-SAE	136060001



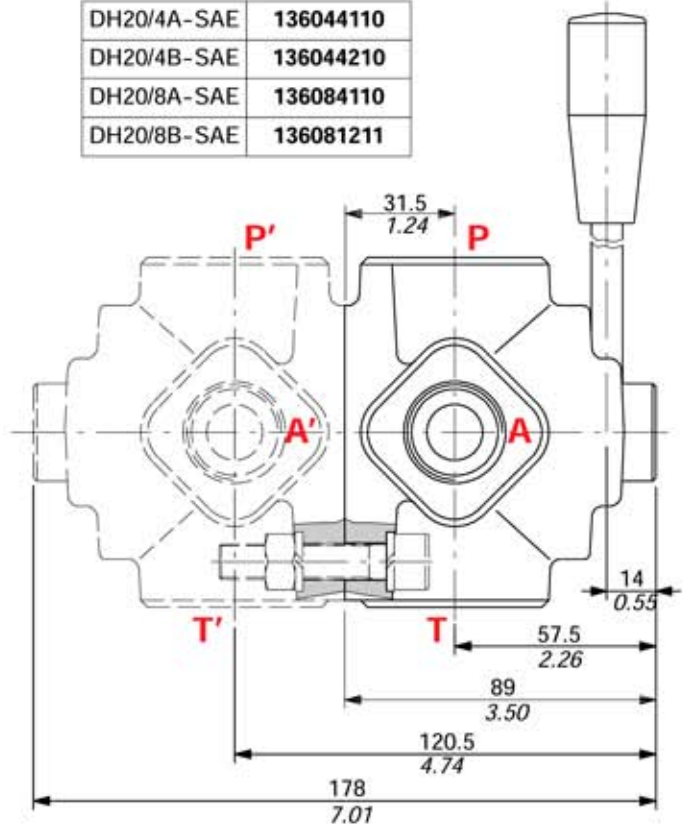
4-way DH20/4 and 8-way DH20/8 valves

Drawing is referred to valve with type A spool.



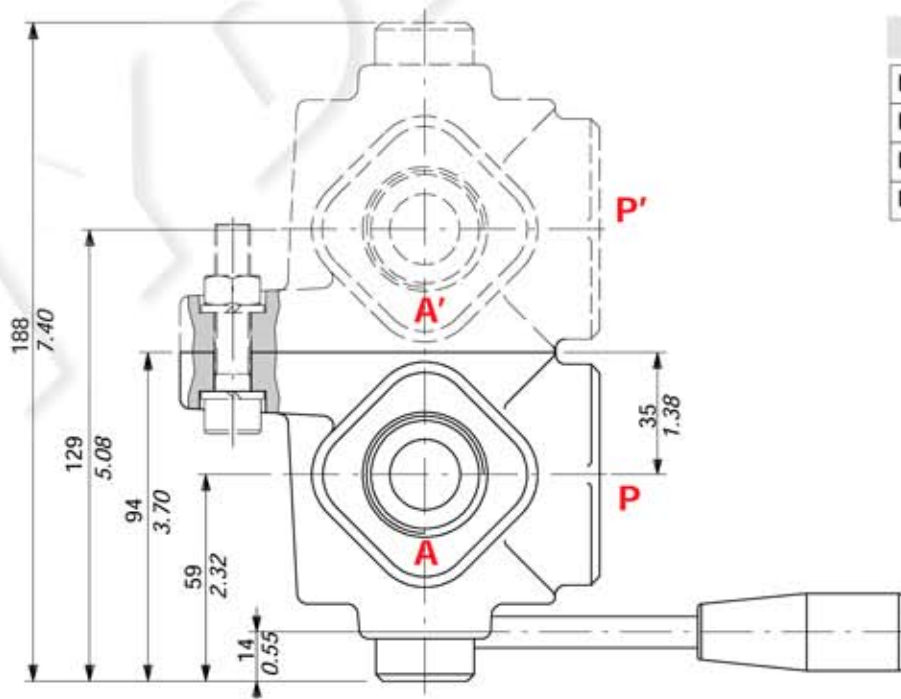
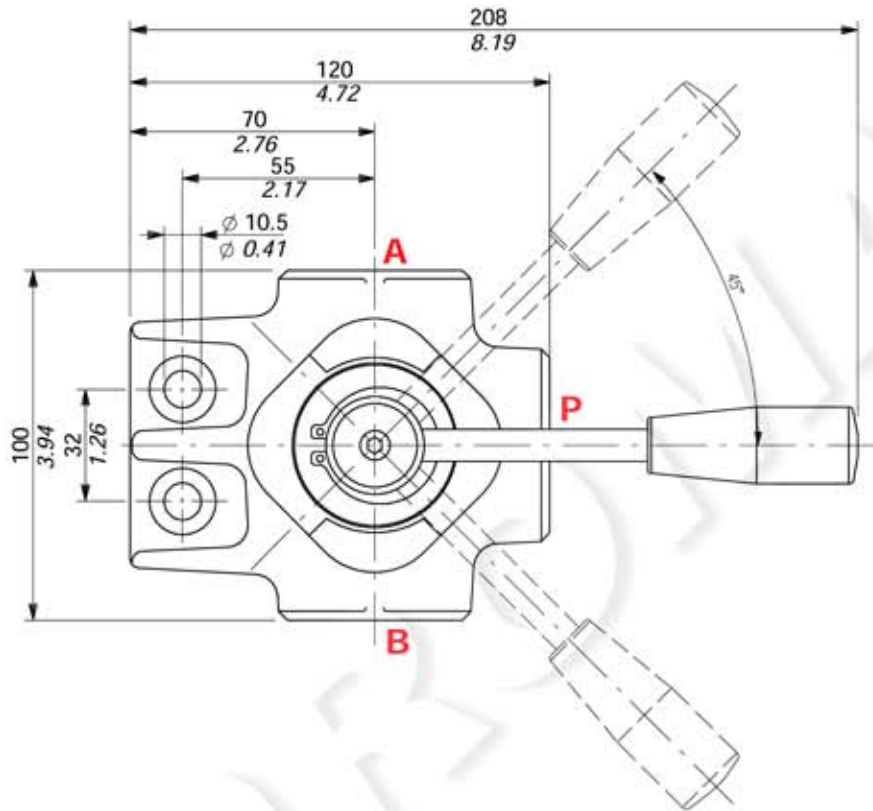
Ordering codes

DH20/4A-SAE	136044110
DH20/4B-SAE	136044210
DH20/8A-SAE	136084110
DH20/8B-SAE	136081211



3-way DH25/3 and 6-way DH25/6 valves

Drawing is referred to valve with type A spool.



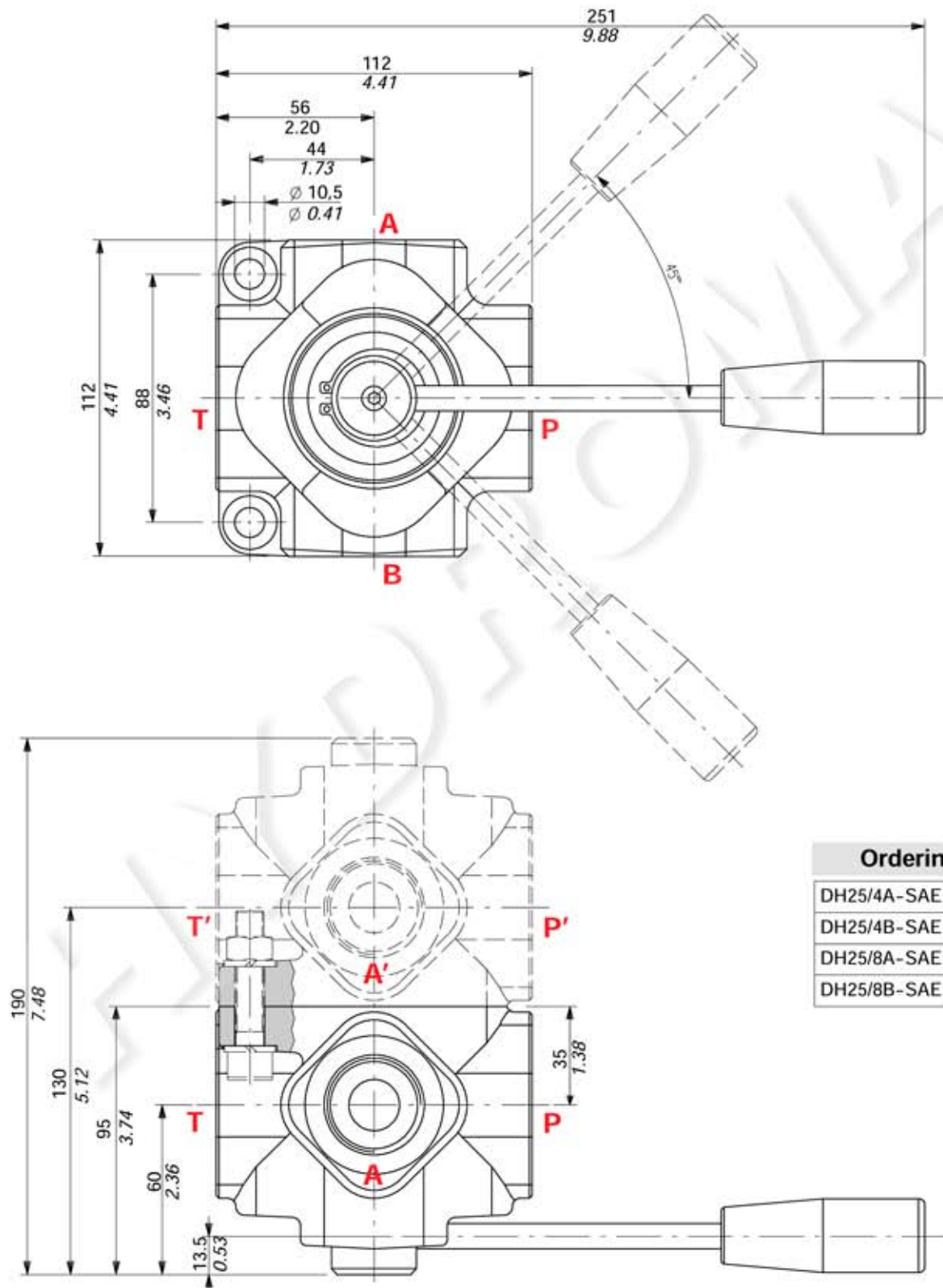
Ordering codes

DH25/3A-SAE	137034110
DH25/3B-SAE	137034210
DH25/6A-SAE	137064110
DH25/6B-SAE	137064210

Dimensional data

4-way DH25/4 and 8-way DH25/8 valves

Drawing is referred to valve with type A spool.

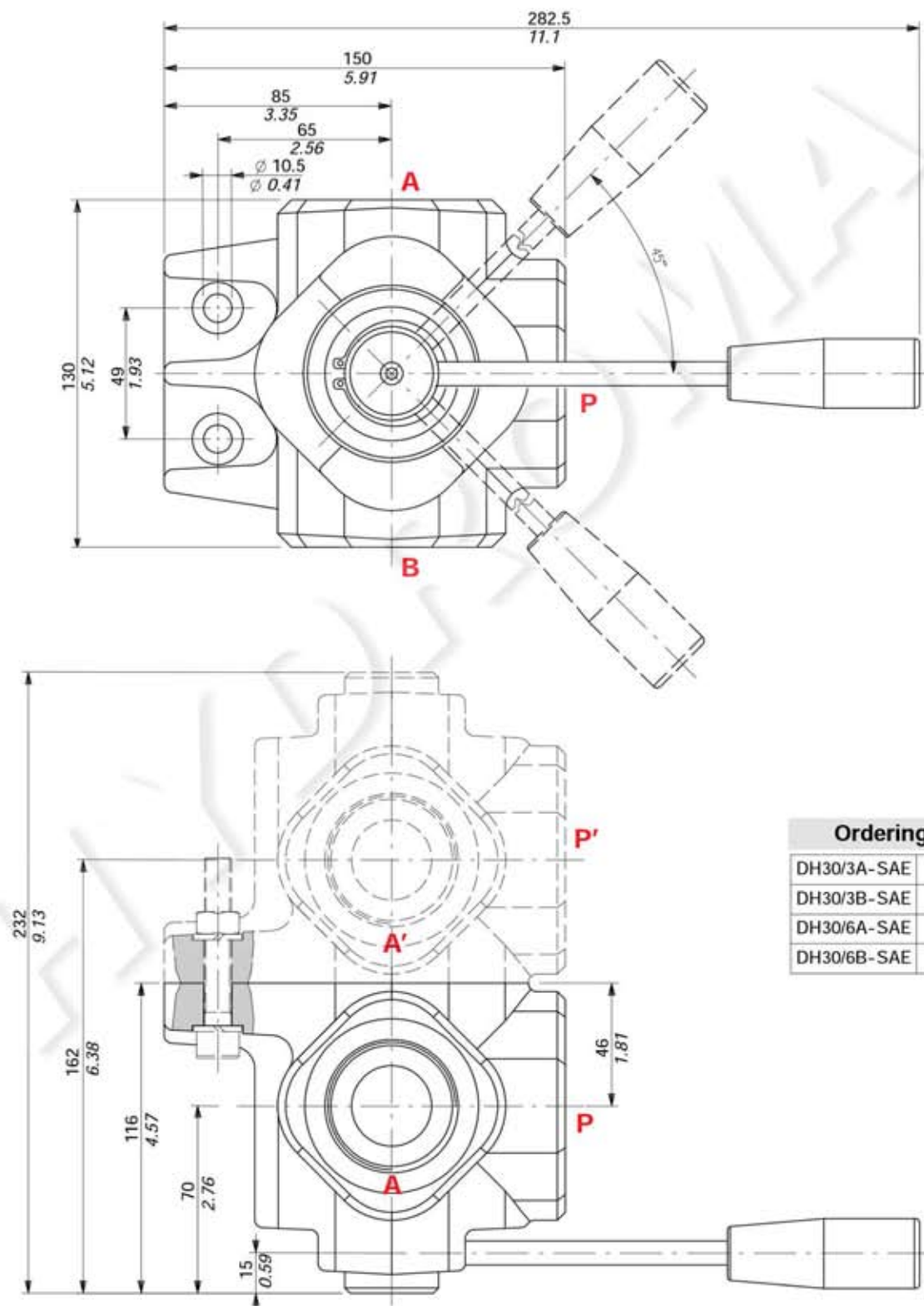


Ordering codes

DH25/4A-SAE	137044110
DH25/4B-SAE	137044210
DH25/8A-SAE	137084110
DH25/8B-SAE	137084210

3-way DH30/3 and 6-way DH30/6 valves

Drawing is referred to valve with type A spool.



Ordering codes

DH30/3A-SAE	139034110
DH30/3B-SAE	139034210
DH30/6A-SAE	139064110
DH30/6B-SAE	139061211