

Part number:

020-10022

HYDROMA

HYDRAULICKÉ SYSTÉMY

**HIDROMA
SISTEMS**

UKŁADY HYDRAULICZNE

HYDROMA

ГИДРАВЛИЧЕСКИЕ СИСТЕМЫ

Miniprese prova pressione

Test couplings for pressure checking



Applicazioni:

- Controllo pressione
- Lubrificazione
- Spurgo aria
- Prelievo campioni olio

Materiale:

Acciaio al carbonio zincato
(Acciaio inox AISI 316, disponibile su richiesta)

Guarnizioni:

NITRILE BUNA N (NBR)
(VITON, disponibili su richiesta)
Temperatura di esercizio:
-30°C...+125°C (NITRILE)
-25°C...+230°C (FKM)

Fluidi:

Olio idraulico
Olio a base minerale
Compatibilità con altri fluidi a richiesta

Applications:

- Pressure control
- Lubrification
- Air bleeding
- Oil sampling

Materials:

Galvanised carbon steel
(Stainless steel AISI 316 is available on request)

Sealing:

NITRILE BUNA N (NBR)
FKM – VITON (on request)
Working temperature:
-30°C...+125°C (NITRILE BUNA N)
-25°C...+230°C (FKM)

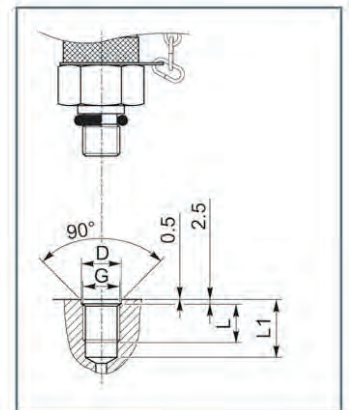
Fluids:

Hydraulic oils
Mineral oils
Suitability with other fluids on request

Esecuzione dei fori filettati e tipi di tenuta
Hole screw-cuts and sealing types

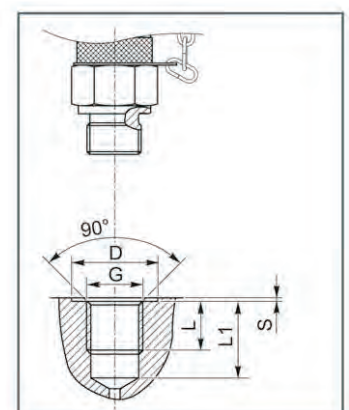
Type **A**

| Tenuta con O-Ring O-Ring sealing | G | D | L | L1 |
|-------------------------------------|---|------|----|------|
| M 8x1 | | 9.5 | 11 | 15.5 |
| M 10x1 | | 11.5 | 12 | 16.5 |
| M 10x1.25 | | 11 | 12 | 16.5 |
| M 14x1.5 | | 15.8 | 12 | 18 |



Type **B**

| Tenuta con spigolo metallico di incisione Metal sealing edge | G | D | L | L1 | S |
|--|---|----|----|------|-----|
| M 10x1 | | 15 | 10 | 13.5 | 1 |
| M 12x1.5 | | 18 | 12 | 18.5 | 1 |
| M 14x1.5 | | 20 | 14 | 18.5 | 1 |
| M 16x1.5 | | 22 | 14 | 18.5 | 1.5 |
| ISO 228 G 1/8" | | 15 | 10 | 13.5 | 1 |
| ISO 228 G 1/4" | | 19 | 14 | 18.5 | 1 |
| ISO 228 G 3/8" | | 24 | 16 | 18.5 | 1.5 |





Miniprese prova pressione

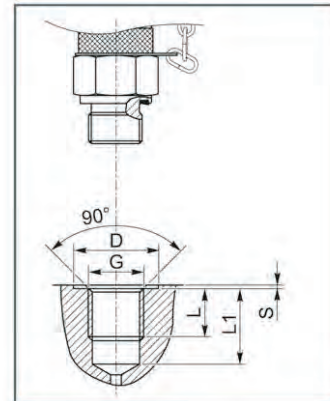
Test couplings for pressure checking

Type

Tenuta con guarnizione piana
Flat gasket sealing

C

| G | D | L | L1 | S |
|----------------|----|----|------|-----|
| M 10x1 | 17 | 10 | 13.5 | 1 |
| M 12x1.5 | 18 | 12 | 18.5 | 1 |
| M 14x1.5 | 20 | 14 | 18.5 | 1 |
| M 16x1.5 | 22 | 14 | 18.5 | 1.5 |
| ISO 228 G 1/8" | 17 | 10 | 13.5 | 1 |
| ISO 228 G 1/4" | 20 | 14 | 18.5 | 1 |
| ISO 228 G 3/8" | 24 | 16 | 18.5 | 1.5 |
| ISO 228 G 1/2" | 30 | 18 | 24 | 1.5 |

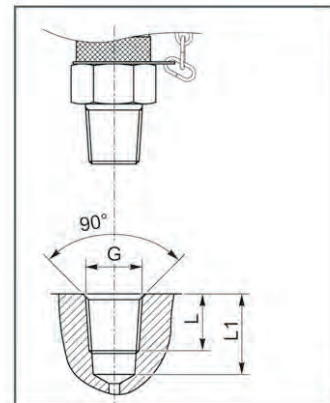


Type **D**

Tenuta:
- Gas conico ISO 7/1
- Conico NPTF

Sealing by thread:
- B.S.P. Taper ISO 7/1
- Taper NPTF

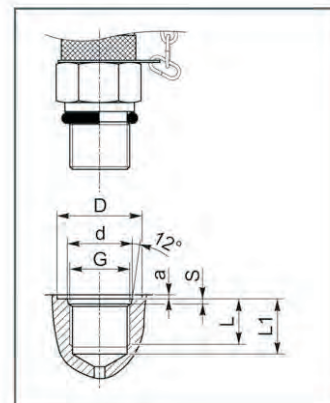
| G | L | L1 |
|--------------|-----|------|
| ISO 7/1 1/8" | 5.5 | 12 |
| ISO 7/1 1/4" | 8.5 | 13.5 |
| ISO 7/1 3/8" | 12 | 20 |
| 1/8"-27 NPTF | 9 | 14 |
| 1/4"-18 NPTF | 9 | 18.5 |
| 3/8"-18 NPTF | 14 | 20 |



Type **E**

Tenuta con guarnizione UNF
UNF O-Ring sealing

| G | d | D | L | L1 | S | a |
|--------------|------|----|------|------|-----|-----|
| 7/16"-20 UNF | 12.4 | 17 | 11.5 | 14 | 2.4 | 1.6 |
| 1/2"-20 UNF | 14 | 18 | 11.5 | 14 | 2.4 | 1.6 |
| 9/16"-18 UNF | 15.6 | 20 | 12.7 | 15.5 | 2.5 | 1.6 |
| 3/4"-16 UNF | 20.5 | 25 | 16 | 20 | 2.6 | 2.4 |



Miniprese prova pressione

Test couplings for pressure checking



Come ordinare

How to order

Per ordinare i componenti indicare il codice riportato nelle tabelle per ogni configurazione indicando l'eventuale lettera attribuita all'opzione desiderata.

Please indicate the code shown in the required form chart, and add, if necessary, the letter of the chosen option.

Configurazione / Form

Tappo metallo con catenella e sistema di tenuta a sfera Metal cap with chain and ball sealing system

Lettera "C" nel codice / "C" in the ref.

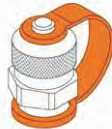
xxxxxxxC

Tappo metallo con catenella e sistema di tenuta a pistone Metal cap with chain and poppet valve sealing system

Anteporre "S1" al codice / Put "S1" in front of the ref. number

S1xxxxxxxC

Opzioni / Options



O

Tappo metallo. laccio in plastica / Metal cap with plastic binder

Sostituire nel codice "C" con "O" / Replace "C" with "O"

xxxxxxxO



P

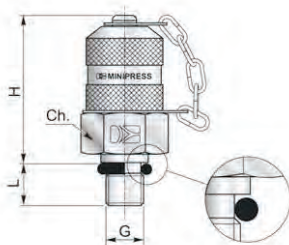
Tappo in plastica / Plastic cap

Sostituire nel codice "C" con "P" / Replace "C" with "P"

xxxxxxxP

Miniprese filettate M16x2

Threaded test couplings M16x2



| G | H | L | Ch | PN [bar] | Tenuta/Seal | Codice/Ref. |
|--------------------------------------|----|-----|----|----------|-------------------------|-------------|
| Metrica cilindrica / Metric parallel | | | | | | |
| M8x1 | 37 | 8.5 | 17 | 250 | O-Ring type A | 0108X10C |
| M10x1 | 37 | 8.5 | 17 | 630 | | 0110X10C |
| M10x1.25 | 37 | 9 | 17 | 630 | | 0110X12C |
| M14x1.5 | 37 | 10 | 19 | 630 | | 0114X15C |
| Metrica cilindrica / Metric parallel | | | | | | |
| 7/16"-20UNF | 37 | 9 | 17 | 630 | O-Ring type E | 0171X20C |
| 1/2"-20UNF | 37 | 10 | 17 | 630 | | 0112X20C |
| 9/16"-18UNF | 37 | 10 | 19 | 630 | | 0191X18C |
| 3/4"-16UNF | 37 | 14 | 22 | 630 | | 0134X16C |

Opzioni/Options

O

P

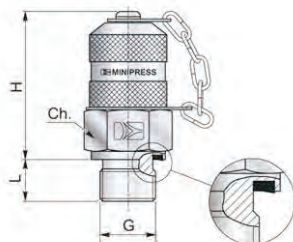


Miniprese prova pressione

Test couplings for pressure checking

Miniprese filettate M16x2

Threaded test couplings M16x2

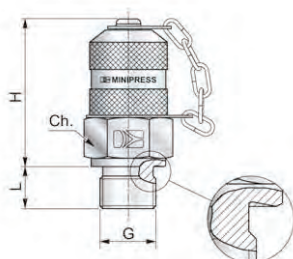


| G | H | L | Ch | PN [bar] | Tenuta/Seal | Codice/Ref. |
|---|----|----|----|----------|------------------|-------------|
| <i>Metrica cilindrica / Metric parallel</i> | | | | | | |
| M 10x1 | 37 | 8 | 17 | 630 | Type C | 0410X10C |
| M 12x1.5 | 37 | 10 | 17 | 630 | | 0612X15C |
| M 14x1.5 | 37 | 12 | 19 | 630 | | 0614X15C |
| M16x1.5 | 37 | 12 | 22 | 630 | | 0616X15C |
| <i>Gas cilindrica / B.S.P. parallel</i> | | | | | | |
| ISO 228 G 1/8" | 37 | 8 | 17 | 630 | Type C | 0718G00C |
| ISO 228 G 1/4" | 37 | 12 | 19 | 630 | | 0714G00C |
| ISO 228 G 1/4" * | 37 | 12 | 19 | 630 | | 0714G0AI |
| ISO 228 G 3/8" | 37 | 14 | 22 | 630 | | 0738G00C |
| ISO 228 G 1/2" | 37 | 15 | 27 | 630 | | 0712G00C |

* INOX / Stainless steel

Opzioni/Options

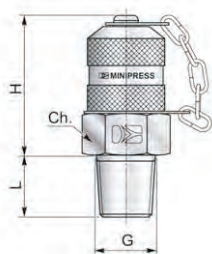
O P



| G | H | L | Ch | PN [bar] | Tenuta/Seal | Codice/Ref. |
|--|----|-----|----|----------|------------------|-------------|
| <i>Metrica cilindrica / Metric parallel</i> | | | | | | |
| M 10X1 | 37 | 8,5 | 17 | 400 | Type B | 0310X10C |
| M 12X1.5 | 37 | 12 | 17 | 630 | | 0312X15C |
| M 14X 1.5 | 37 | 12 | 19 | 630 | | 0314X15C |
| M 16X1.5 | 37 | 12 | 22 | 630 | | 0316X15C |
| <i>Gas cilindrica / B.S.P. parallel - Forma B / Form B</i> | | | | | | |
| ISO 228 G 1/8" | 37 | 8 | 17 | 400 | Type B | 0418G00C |
| ISO 228 G 1/4" | 37 | 12 | 19 | 630 | | 0414G00C |
| ISO 228 G 3/8" | 37 | 14 | 22 | 630 | | 0438G00C |

Opzioni/Options

O P



| G | H | L | Ch | PN [bar] | Tenuta/Seal | Codice/Ref. |
|---------------------------------|----|----|----|----------|------------------|-------------|
| <i>GAS conica / B.S.P taper</i> | | | | | | |
| ISO 7/1 R 1/8" | 37 | 10 | 17 | 400 | Type D | 0818280C |
| ISO 7/1 R 1/4" | 37 | 12 | 19 | 630 | | 0814190C |
| ISO 7/1 R 3/8" | 37 | 14 | 22 | 630 | | 0838190C |
| <i>NPTF / NPTF</i> | | | | | | |
| 1/8"-27 NPTF | 37 | 10 | 17 | 400 | Type D | 0918270C |
| 1/4"-18 NPTF | 37 | 14 | 19 | 630 | | 0914180C |
| 1/4"-18 NPT* | 37 | 14 | 19 | 630 | | 091418AI |
| 3/8"-18 NPTF | 37 | 16 | 22 | 630 | | 0938180C |

* INOX / Stainless steel

Opzioni/Options

O P

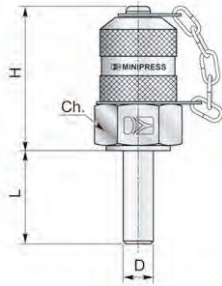
Miniprese prova pressione

Test couplings for pressure checking



Minipresa a codolo liscio

Threaded test couplings



| D | H | L | Ch | PN [bar] | | Codice/Ref. |
|----|----|----|----|----------|----------|-------------|
| | | | | Series L | Series S | |
| 6 | 37 | 20 | 17 | 315 | 630 | 1206000C |
| 6 | 37 | 20 | 17 | 315 | 630 | 1206A100 |
| 8 | 37 | 20 | 17 | 315 | 630 | 1208000C |
| 10 | 37 | 20 | 17 | 315 | 630 | 1210000C |
| 12 | 37 | 20 | 17 | 315 | 630 | 1212000C |
| 14 | 37 | 20 | 17 | — | 630 | 1214000C |
| 15 | 37 | 20 | 17 | 315 | — | 1215000C |
| 16 | 37 | 20 | 17 | — | 400 | 1216000C |

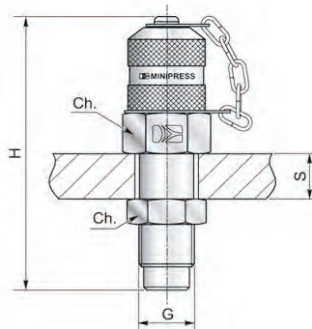
INOX / Stainless steel

Opzioni/Options

O P

Minipresa passaparete

Bulkhead test coupling



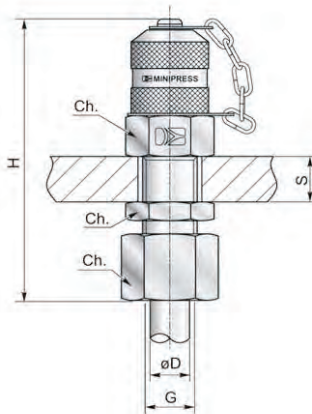
| G | H | Ch | S max | PN [bar] | Codice/Ref. |
|--------|----|----|-------|----------|-------------|
| M 16x2 | 80 | 19 | 25 | 630 | 22PP000C |

Opzioni/Options

O P

Minipresa passaparete per tubo metallico

Bulkhead test coupling for metal pipe fitting



| Serie / Series | D | G | H | Ch | Ch 1 | S max | PN [bar] | Codice/Ref. |
|----------------|----|----------|----|----|------|-------|----------|-------------|
| S | 8 | M 16x1.5 | 80 | 19 | 19 | 20 | 630 | 1616X15C |
| | 10 | M 18x1.5 | 82 | 22 | 22 | 20 | 630 | 1618X15C |
| | 12 | M 20x1.5 | 84 | 24 | 24 | 20 | 630 | 1620X15C |

Opzioni/Options

O P

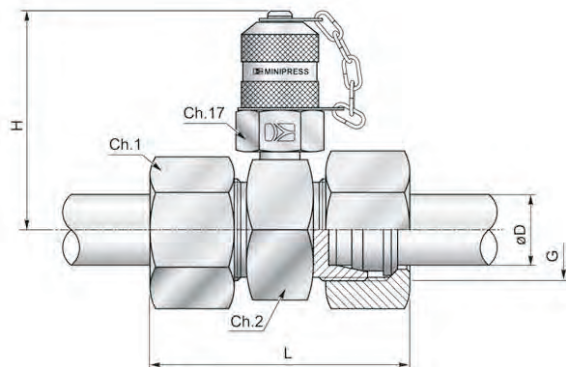


Miniprese prova pressione

Test couplings for pressure checking

Minipresa raccordo intermedio diritto per tubo metallico

Straight test coupling for metal pipe fitting



| Serie / Series | D | G | H | L | Ch 1 | Ch 2 | S max | PN [bar] | Codice/Ref. |
|------------------------------------|--------|----------|------|----|------|------|-------|----------|-------------|
| Raccordi ad anello / Ring fittings | | | | | | | | | |
| L | 6 | M 12x1.5 | 49 | 51 | 51 | 14 | 24 | 315 | 1306000C |
| | 8 | M 14x1.5 | 49 | 51 | 51 | 17 | 24 | 315 | 1308000C |
| | 10 | M 16x1.5 | 49 | 53 | 53 | 19 | 24 | 315 | 1310000C |
| | 12 | M 18x1.5 | 49 | 53 | 53 | 22 | 24 | 315 | 1312000C |
| | 15 | M 22x1.5 | 50.5 | 55 | 55 | 27 | 27 | 315 | 1315000C |
| | 18 | M 26x1.5 | 53 | 57 | 57 | 32 | 32 | 315 | 1318000C |
| | 22 | M 30x2 | 53 | 61 | 61 | 36 | 32 | 160 | 1322000C |
| | 28 | M 36x2 | 57.5 | 61 | 61 | 41 | 41 | 160 | 1328000C |
| | 35 | M 45x2 | 60 | 69 | 69 | 50 | 46 | 160 | 1335000C |
| 42 | M 52x2 | 64.5 | 71 | 71 | 60 | 55 | 160 | 1342000C | |
| S | 6 | M 14x1.5 | 49 | 55 | 55 | 17 | 24 | 630 | 1406000C |
| | 8 | M 16x1.5 | 49 | 55 | 55 | 19 | 24 | 630 | 1408000C |
| | 10 | M 18x1.5 | 49 | 57 | 57 | 22 | 24 | 630 | 1410000C |
| | 12 | M 20x1.5 | 49 | 57 | 57 | 24 | 24 | 630 | 1412000C |
| | 14 | M 22x1.5 | 49 | 63 | 63 | 27 | 24 | 630 | 1414000C |
| | 16 | M 24x1.5 | 52 | 63 | 63 | 30 | 27 | 400 | 1416000C |
| | 20 | M 30x2 | 53 | 69 | 69 | 36 | 32 | 400 | 1420000C |
| | 25 | M 36x2 | 57.5 | 75 | 75 | 46 | 41 | 400 | 1425000C |
| | 30 | M 42x2 | 60 | 81 | 81 | 50 | 46 | 400 | 1430000C |
| 38 | M 52x2 | 64.5 | 89 | 89 | 60 | 55 | 315 | 1438000C | |

Opzioni/Options



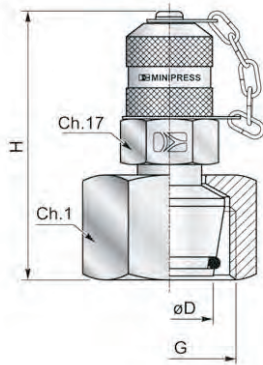
Miniprese prova pressione

Test couplings for pressure checking



Minipresa tipo DKO codolo conico 24° con O-Ring

Test coupling with 24° O-Ring sealing cone DKO type



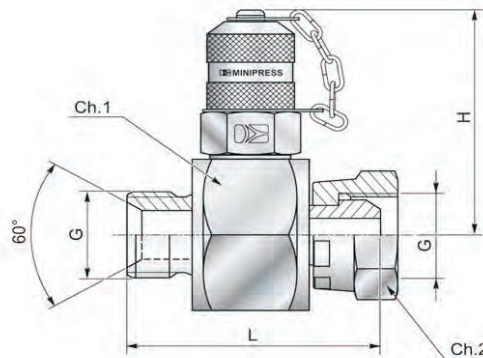
| Serie / Series | D | G | H | Ch 1 | PN (bar) | Codice/Ref. |
|----------------|----|----------|----|------|----------|-------------|
| L | 6 | M 12x1.5 | 54 | 14 | 315 | 1012X15C |
| | 8 | M 14x1.5 | 54 | 17 | 315 | 1014X15C |
| | 10 | M 16x1.5 | 59 | 19 | 315 | 1016X15C |
| | 12 | M 18x1.5 | 59 | 22 | 315 | 1018X15C |
| | 15 | M 22x1.5 | 59 | 27 | 315 | 1022X15C |
| | 18 | M 26x1.5 | 59 | 32 | 315 | 1026X15C |
| | 22 | M 30x2 | 59 | 36 | 160 | 1030X20C |
| | 28 | M 36x2 | 60 | 41 | 160 | 1035X20C |
| | 35 | M 45x2 | 62 | 50 | 160 | 1045X20C |
| | 42 | M 52x2 | 65 | 60 | 160 | 1052X20C |
| S | 6 | M 14x1.5 | 54 | 17 | 630 | 1114X15C |
| | 8 | M 16x1.5 | 54 | 19 | 630 | 1116X15C |
| | 10 | M 18x1.5 | 59 | 22 | 630 | 1118X15C |
| | 12 | M 20x1.5 | 59 | 24 | 630 | 1120X15C |
| | 14 | M 22x1.5 | 59 | 27 | 630 | 1122X15C |
| | 16 | M 24x1.5 | 60 | 30 | 400 | 1124X15C |
| | 20 | M 30x2 | 62 | 36 | 400 | 1130X20C |
| | 25 | M 36x2 | 65 | 46 | 400 | 1136X20C |
| | 30 | M 42x2 | 65 | 50 | 400 | 1142X20C |
| | 38 | M 52x2 | 65 | 60 | 315 | 1152X20C |

Opzioni/Options



Minipresa di pressione con giunzione diretta 60°

Check coupling male - female swivel 60°



| G | H | L | Ch1 | Ch2 | PN bar | Codice/Ref. |
|---------------|----|----|-----|-----|--------|-------------|
| ISO 228 G1/4" | 55 | 53 | 32 | 19 | 400 | 1914G00C |
| ISO 228 G3/8" | 55 | 60 | 32 | 22 | 400 | 1938G00C |
| ISO 228 G1/2" | 55 | 60 | 32 | 27 | 400 | 1912G00C |
| ISO 228 G3/4" | 55 | 68 | 32 | 32 | 400 | 1934G00C |
| ISO 228 G1" | 60 | 74 | 41 | 41 | 315 | 1901G00C |

Opzioni/Options



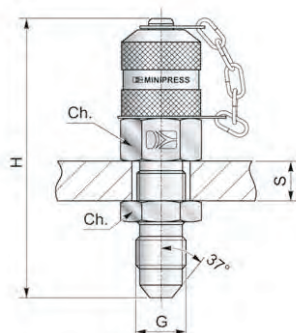


Miniprese prova pressione

Test couplings for pressure checking

Minipresa passaparete JIC 37°

Bulkhead test coupling - JIC 37°



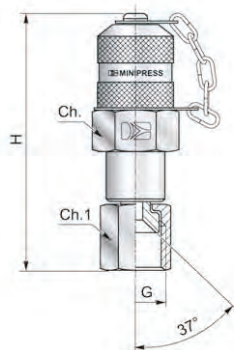
| G | H | Ch | S max | PN [bar] | Codice/Ref. |
|--------------|----|----|-------|----------|-------------|
| 7/16"-20 UNF | 68 | 17 | 9 | 630 | 1707162C |
| 1/2"-20 UNF | 68 | 17 | 9 | 400 | 1701220C |
| 9/16"-18 UNF | 69 | 19 | 9 | 315 | 1709161C |

Opzioni/Options



Minipresa con raccordo femmina girevole sede JIC 37°

Female swivel test coupling - JIC 37°



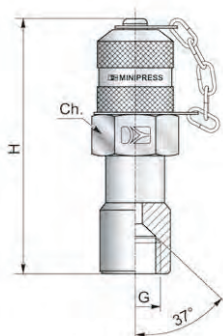
| G | H | Ch | Ch 1 | PN [bar] | Codice/Ref. |
|--------------|----|----|------|----------|-------------|
| 7/16"-20 UNF | 64 | 17 | 14 | 630 | 1507163C |
| 1/2"-20 UNF | 65 | 17 | 17 | 400 | 1512203C |
| 9/16"-18 UNF | 67 | 17 | 19 | 315 | 1509163C |
| 3/4"-16 UNF | 70 | 17 | 22 | 315 | 1506163C |

Opzioni/Options



Minipresa con raccordo femmina fisso sede JIC 37°

Female fixed test coupling - JIC 37°



| G | H | Ch | PN [bar] | Codice/Ref. |
|--------------|----|----|----------|-------------|
| 7/16"-20 UNF | 63 | 17 | 630 | 15071FFC |
| 1/2"-20 UNF | 63 | 17 | 400 | 15012FFC |
| 9/16"-18 UNF | 66 | 19 | 315 | 15091FFC |

Opzioni/Options



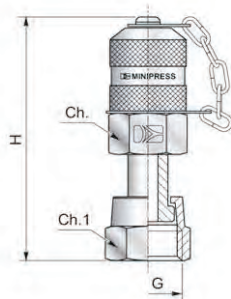
Miniprese prova pressione

Test couplings for pressure checking



Minipresa con raccordo femmina girevole O.R.F.S.

O.R.F.S female swivel test coupling



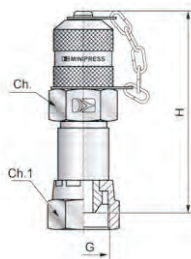
| G | H | Ch | Ch 1 | PN [bar] | Codice/Ref. |
|---------------|----|----|------|----------|-------------|
| 9/16"-18 UNF | 53 | 17 | 19 | 400 | 15916FSC |
| 11/16"-16 UNF | 54 | 17 | 22 | 400 | 15116FSC |
| 13/16"-16 UNF | 58 | 19 | 24 | 400 | 15131FSC |

Opzioni/Options



Minipresa di pressione femmina girevole

Female swivel check-coupling



| G | H | Ch | Ch 1 | PN [bar] | Codice/Ref. |
|----------------|----|----|------|----------|-------------|
| ISO 228 G 1/4" | 62 | 19 | 19 | 630 | 15914G0C |

Opzioni/Options



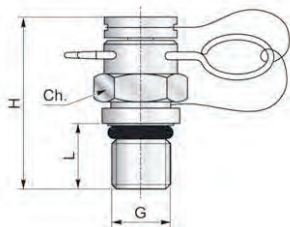


Miniprese prova pressione

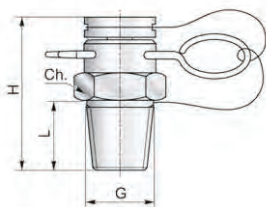
Test couplings for pressure checking

Miniprese con innesto a baionetta

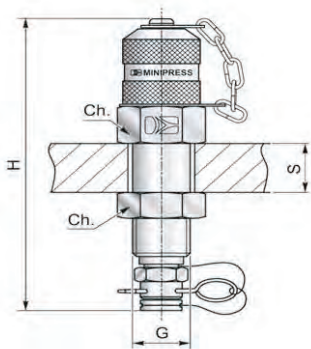
Plug-in test couplings



| G | H | L | Ch | PN [bar] | Tenuta/Seal | Codice/Ref. |
|---|----|-----|----|----------|----------------------|-------------|
| Filettatura: metrica cilindrica / Threaded: metric parallel (UNI 4535-64) | | | | | | |
| M 8x1 | 25 | 8.5 | 12 | 250 | O-Ring type A | 51000000 |
| M 10x1 | 25 | 8.7 | 14 | 400 | | 51100000 |



| G | H | L | Ch | PN [bar] | Tenuta/Seal | Codice/Ref. |
|---|----|----|----|----------|---------------|-------------|
| Filettatura: gas conica / Threaded: B.S.P. taper (UNI ISO 7/1) | | | | | | |
| ISO 7/1 R1/8" | 25 | 12 | 12 | 400 | Type D | 51800000 |
| Filettatura: gas conica / Threaded: B.S.P. taper NPTF (ANSI/ASME B.1.20.1 - 1983) | | | | | | |
| 1/8" NPTF | 25 | 12 | 12 | 400 | Type D | 51900000 |



| G | H | Ch | S max | PN [bar] | Codice/Ref. |
|--|----|----|-------|----------|-------------|
| Minipresa passaparete / Bulkhead test coupling | | | | | |
| M 16x2 | 90 | 19 | 25 | 400 | |
| Opzioni/Options | | | | | |
| O P | | | | | |

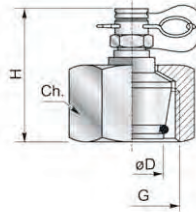
Miniprese prova pressione

Test couplings for pressure checking



Minipresa con innesto a baionetta tipo DKO codolo conico 24° con O-Ring

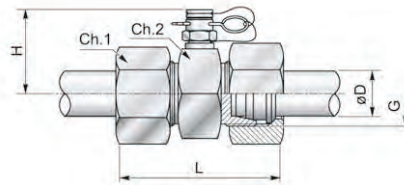
Plug-in test coupling with 24° O-Ring sealing cone DKO type



| Serie / Series | D | G | H | Ch | PN [bar] | Codice/Ref. |
|----------------|----|----------|----|----|----------|-------------|
| L | 10 | M 16x1.5 | 39 | 19 | 315 | 1016X15B |
| | 12 | M 18x1.5 | 39 | 22 | 315 | 1018X15B |
| | 15 | M 22x1.5 | 39 | 27 | 315 | 1022X15B |
| | 18 | M 26x1.5 | 39 | 32 | 315 | 1026X15B |
| | 22 | M 30x2 | 39 | 36 | 160 | 1030X20B |
| | 28 | M 36x2 | 40 | 41 | 160 | 1035X20B |
| | 35 | M 45x2 | 42 | 50 | 160 | 1045X20B |
| S | 42 | M 52x2 | 45 | 60 | 160 | 1052X20B |
| | 10 | M 18x1.5 | 39 | 22 | 630 | 1118X15B |
| | 12 | M 20x1.5 | 39 | 24 | 630 | 1120X15B |
| | 14 | M 22x1.5 | 39 | 27 | 630 | 1122X15B |
| | 16 | M 24x1.5 | 40 | 30 | 400 | 1124X15B |
| | 20 | M 30x2 | 42 | 36 | 400 | 1130X20B |
| | 25 | M 36x2 | 44 | 46 | 400 | 1136X20B |
| | 30 | M 42x2 | 44 | 50 | 400 | 1142X20B |
| | 38 | M 52x2 | 44 | 60 | 315 | 1152X20B |

Minipresa a baionetta raccordo intermedio diritto per tubo metallico

Plug-in straight test coupling for metal pipe fitting



| Serie / Series | D | G | H | L | Ch 1 | Ch 2 | PN [bar] | Codice/Ref. |
|------------------------------------|----|----------|------|----|------|------|----------|-------------|
| Raccordi ad anello / Ring fittings | | | | | | | | |
| L | 6 | M 12x1.5 | 29 | 51 | 14 | 24 | 315 | 1306000B |
| | 8 | M 14x1.5 | 29 | 51 | 17 | 24 | 315 | 1308000B |
| | 10 | M 16x1.5 | 29 | 53 | 19 | 24 | 315 | 1310000B |
| | 12 | M 18x1.5 | 29 | 53 | 22 | 24 | 315 | 1312000B |
| | 15 | M 22x1.5 | 30.5 | 55 | 27 | 315 | 1315000B | |
| | 18 | M 26x1.5 | 33 | 57 | 32 | 315 | 1318000B | |
| | 22 | M 30x2 | 33 | 61 | 36 | 32 | 160 | 1322000B |
| | 28 | M 36x2 | 37.5 | 61 | 41 | 41 | 160 | 1328000B |
| | 35 | M 45x2 | 40 | 69 | 50 | 46 | 160 | 1335000B |
| | 42 | M 52x2 | 44.5 | 71 | 60 | 55 | 160 | 1342000B |
| S | 6 | M 14x1.5 | 29 | 55 | 17 | 24 | 630 | 1406000B |
| | 8 | M 16x1.5 | 29 | 55 | 19 | 24 | 630 | 1408000B |
| | 10 | M 18x1.5 | 29 | 57 | 22 | 24 | 630 | 1410000B |
| | 12 | M 20x1.5 | 29 | 57 | 24 | 24 | 630 | 1412000B |
| | 14 | M 22x1.5 | 29 | 63 | 27 | 24 | 630 | 1414000B |
| | 16 | M 24x1.5 | 32 | 63 | 30 | 27 | 400 | 1416000B |
| | 20 | M 30x2 | 33 | 69 | 36 | 32 | 400 | 1420000B |
| | 25 | M 36x2 | 37.5 | 75 | 46 | 41 | 400 | 1425000B |
| | 30 | M 42x2 | 40 | 81 | 50 | 46 | 400 | 1430000B |
| | 38 | M 52x2 | 44.5 | 89 | 60 | 55 | 315 | 1438000B |



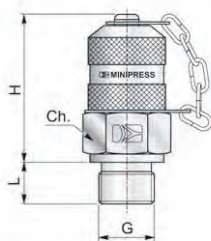
Miniprese prova pressione

Test couplings for pressure checking

Miniprese filettate M16x1.5

Threaded test couplings M16x1.5

M16x1.5

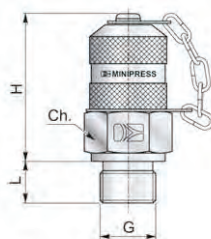


| G | H | L | Ch | PN [bar] | Tenuta/Seal | Codice/Ref. |
|---|----|-----|----|----------|-------------|-------------|
| <i>Metrica cilindrica / Metric parallel</i> | | | | | | |
| M 8x1 | 37 | 8.5 | 17 | 250 | Type | 0108150C |
| M 10x1 | 37 | 8.5 | 17 | 630 | A | 0110150C |
| <i>Gas cilindrica / B.S.P. parallel</i> | | | | | | |
| ISO 228 G 1/4" | 37 | 8 | 17 | 630 | Type | 0714150C |
| | | | | | C | |

Miniprese filettate M12.65x1.5

Threaded test couplings M12.65x1.5

M12.65x1.5



| G | H | L | Ch | PN [bar] | Tenuta/Seal | Codice/Ref. |
|---|----|-----|----|----------|-------------|-------------|
| <i>Metrica cilindrica / Metric parallel</i> | | | | | | |
| M 8x1 | 30 | 8.5 | 14 | 250 | Type | 0108120C |
| M 10x1 | 30 | 8.5 | 14 | 630 | A | 0110120C |
| <i>Gas cilindrica / B.S.P. parallel</i> | | | | | | |
| ISO 228 G 1/4" | 29 | 8 | 19 | 630 | Type | 0714120C |
| | | | | | C | |



Adattatori per manometro

Pressure gauge adapters

Come ordinare
How to order

Configurazione / Configuration

Il codice degli adattatori termina sempre con 0
Adapters code ends with 0

xxxxxxx0

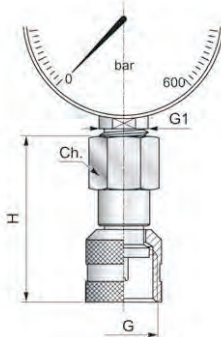
Opzioni / Options

Smorzatore di pressione a richiesta / Pressure damper on request

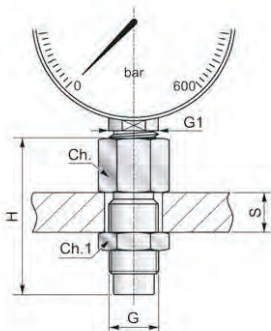
S

Sostituire la lettera S allo 0
Replace "0" with "S"

xxxxxxxS



| G | G1 | H | Ch | Ch 1 | PN [bar] | Codice/Ref. |
|--|----------------|----|----|------|----------|-------------|
| Porta manometro connessione diretta / Direct gauge adapter | | | | | | |
| M 16x2 | ISO 228 G 1/4" | 50 | 19 | 19 | 630 | 20140000 |
| M 16x2 | ISO 228 G 1/2" | 55 | 27 | 19 | 630 | 20120000 |
| M 16x1.5 | ISO 228 G 1/4" | 50 | 19 | 19 | 630 | 20141500 |
| M 16x1.5 | ISO 228 G 1/2" | 55 | 27 | 19 | 630 | 20121500 |

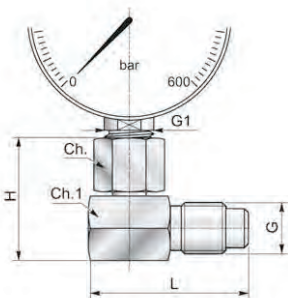


| G | G1 | H | Ch | Ch 1 | S max | PN [bar] | Codice/Ref. |
|--|----------------|----|----|------|-------|----------|-------------|
| Porta manometro passaparete / Bulkhead pressure gauge connection | | | | | | | |
| M 16x2 | ISO 228 G 1/4" | 50 | 19 | 19 | 11 | 630 | 18140000 |
| M 16x2 | ISO 228 G 1/2" | 57 | 27 | 19 | 13 | 630 | 18120000 |
| M 16x1.5 | ISO 228 G 1/4" | 50 | 19 | 19 | 11 | 630 | 18141500 |
| M 16x1.5 | ISO 228 G 1/2" | 57 | 27 | 19 | 13 | 630 | 18121500 |

N.B.: passaggio libero senza valvola / Note: without check valve

Opzioni/Options

S



| G | G1 | H | L | Ch | Ch 1 | PN [bar] | Codice/Ref. |
|--|----------------|----|----|----|------|----------|-------------|
| Porta manometro orientabile 90° / Swivel pressure gauge connection 90° angle | | | | | | | |
| M 16x2 | ISO 228 G 1/4" | 36 | 42 | 19 | 19 | 630 | 21140000 |
| M 16x2 | ISO 228 G 1/2" | 43 | 42 | 27 | 19 | 630 | 21120000 |
| M 16x1.5 | ISO 228 G 1/4" | 36 | 42 | 19 | 19 | 630 | 21141500 |
| M 16x1.5 | ISO 228 G 1/2" | 43 | 42 | 27 | 19 | 630 | 21121500 |

N.B.: passaggio libero senza valvola / Note: without check valve

Opzioni/Options

S

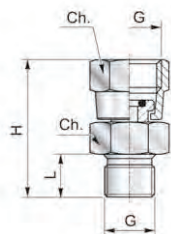


Miniprese prova pressione

Test couplings for pressure checking

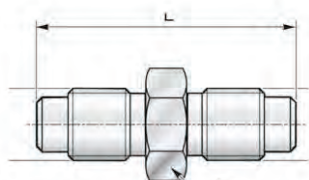
Adattatori

Adapters

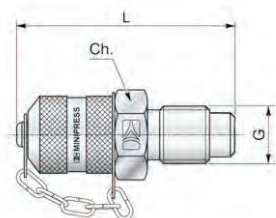


| G | H | L | Ch | PN [bar] | Tenuta/Seal | Codice/Ref. |
|---|----|----|----|----------|-------------|-------------|
| Connettore porta manometro orientabile / Swivel pressure gauge connection | | | | | | |
| ISO 228 G 1/4" | 34 | 11 | 17 | 400 | * | 1814M000 |
| ISO 228 G 1/2" | 46 | 15 | 27 | 400 | * | 1812M000 |

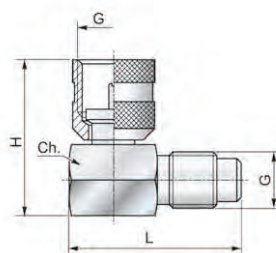
* Rondella di rame (a richiesta) / Copper washer (on request)



| G | L | Ch | PN [bar] | Codice/Ref. |
|---|----|----|----------|-------------|
| Adattatore diretto per giunzione tubi. Passaggio libero Straight adapter for connection of hoses. Free flow. | | | | |
| M 16x2 | 43 | 17 | 630 | 40GD0000 |



| G | L | Ch | PN [bar] | Codice/Ref. |
|---|----|----|----------|-------------|
| Adattatore diretto con valvola di non ritorno / Straight adapter with no-return valve | | | | |
| M 16x2 | 53 | 17 | 630 | 41GV000C |



| G | H | L | Ch | PN [bar] | Codice/Ref. |
|---|----|----|----|----------|-------------|
| Adattatore giunzione 90° orientabile / 90° Swivel adapter | | | | | |
| M 16x2 | 42 | 41 | 19 | 630 | 24GG0000 |
| M 16x1.5 | 42 | 41 | 19 | 630 | 24GG1500 |