

Part number:

HYDROMA

HYDRAULICKÉ SYSTÉMY

**HIDROMA
SYSTEMS**

UKŁADY HYDRAULICZNE

HYDROMA

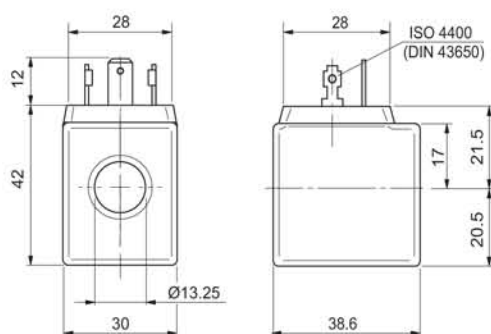
ГИДРАВЛИЧЕСКИЕ СИСТЕМЫ

Coils

18W COILS

Type of protection	IP 65
Number of cycle	18000/h
Supply tolerance	±10%
Ambient	-30°C ÷ 60°C

Duty cycle	100% ED
Insulation class wire	F
Weight	0.141 kg

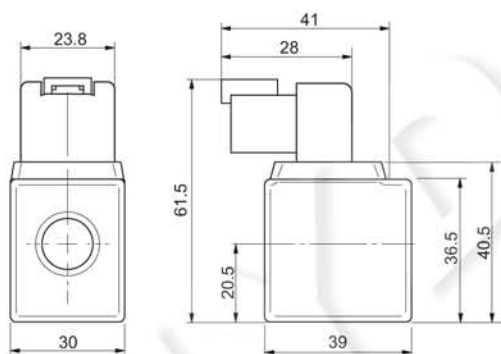


STANDARD Hirschmann ISO 4400 DIN43650

Code	Coil Voltage	Max winding temperature (1)	Rated power	Resistance ±7% (2)	Spare code
L	12 VDC	135 °C	18 W	7.7 Ω	M14000001
M	24 VDC	135 °C	18 W	31 Ω	M14000002
N	48 VDC	135 °C	18 W	116 Ω	M14000003
2	21.6 VDC	135 °C	18 W	27 Ω	M14000009
Z	102 VDC (3)	120 °C	18 W	578 Ω	M14000006
X	205 VDC (3)	120 °C	18 W	2627 Ω	M14000007

(1) Ambient temperature 25 °C - (2) Ambient temperature 20 °C

(3) The european low voltage directive is applied to electrical equipments used at a nominal voltages between 50 and 1000 VAC or 75 and 1500 VDC. In conformity with the low directive each part of the manifold or the subplate on which the valve is mounted should be connected to a protective earth with a resistance less than 0.1 ohms.



DEUTSCH and bidirectional integrated diode (CX variant)

Code	Coil Voltage	Max winding temperature (1)	Rated power	Resistance ±7% (2)	Spare code
L	12 VDC	135 °C	18 W	7.7 Ω	M14760001
M	24 VDC	135 °C	18 W	31 Ω	M14760002

(1) Ambient temperature 25 °C - (2) Ambient temperature 20 °C